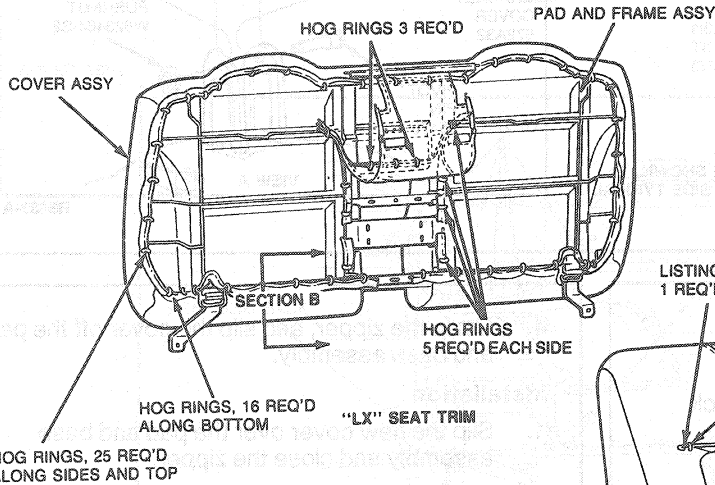
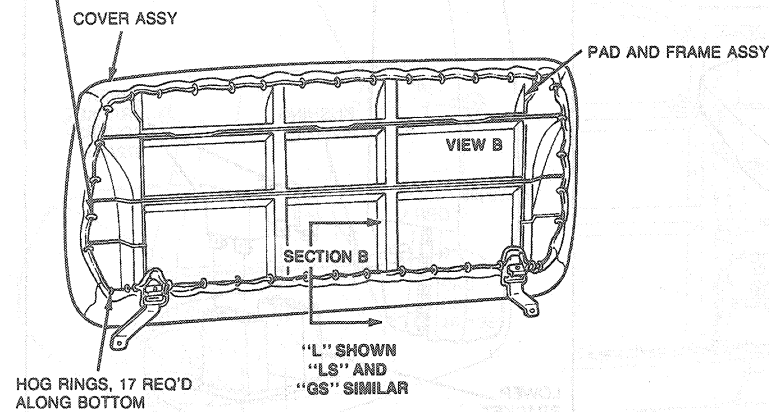


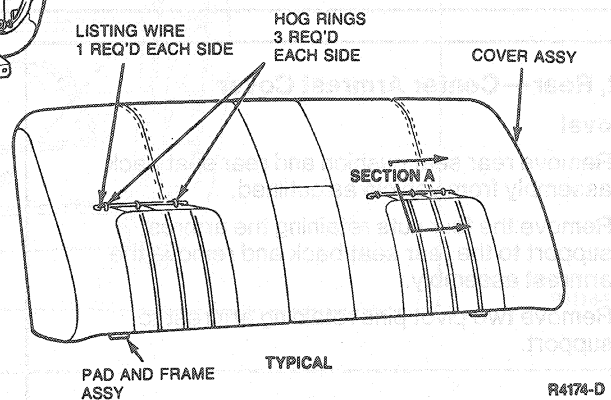
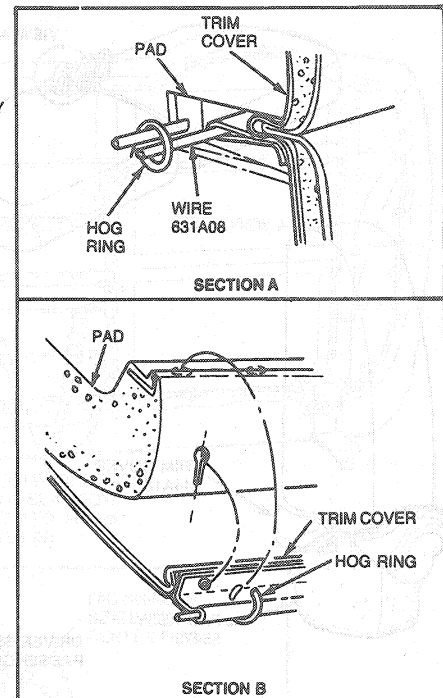
REMOVAL AND INSTALLATION (Continued)

5. Install seat back assembly as outlined.

HOG RINGS, 23 REQ'D
ALONG SIDES AND TOP



HOG RINGS, 25 REQ'D
ALONG SIDES AND TOP



Seat, Front—Center Armrest Cover

Removal

1. Remove upper armrest pivot bracket covers to gain access to pivot pin attaching armrest to seat cushion assembly.
2. Pry off pushnut and remove armrest pivot pin and armrest. Discard push nut.
3. Remove bushing from armrest rod.
4. Unfasten rear closure, and slip cover off pad and base assembly.

Installation

1. Slip new cover over pad and base assembly and close rear fastener.
2. Install bushing on armrest rod.
3. Assemble armrest to armrest pivot bracket. Install armrest pivot pin and new pushnut, ensure clamp load applied.