

**REMOVAL AND INSTALLATION (Continued)**

**Seat Cushion Trim Cover, Rear**

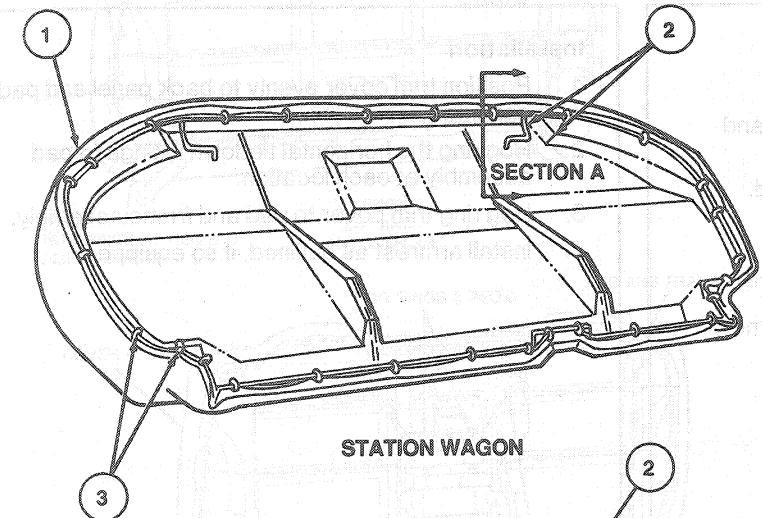
**Removal**

1. Remove cushion assembly from vehicle and place it on a clean surface as outlined
2. Remove hog rings retaining cushion trim cover to pad and frame assembly. Remove hog rings in horizontal tiedown listings. Remove trim cover.

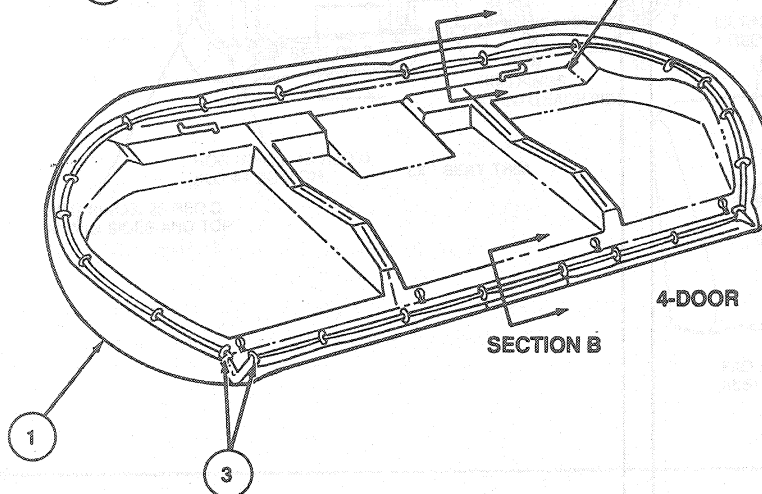
3. Remove tiedown wires from their listings and transfer them to their respective listings in new cover.

**Installation**

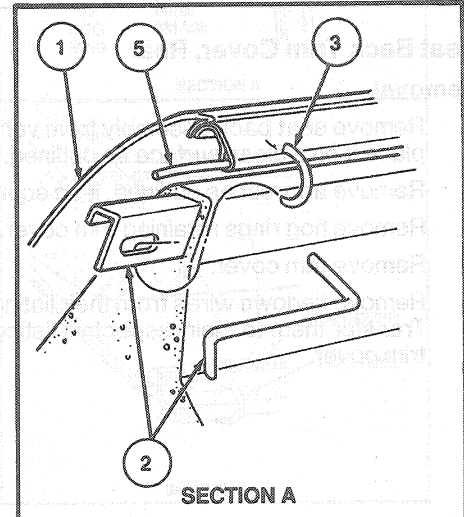
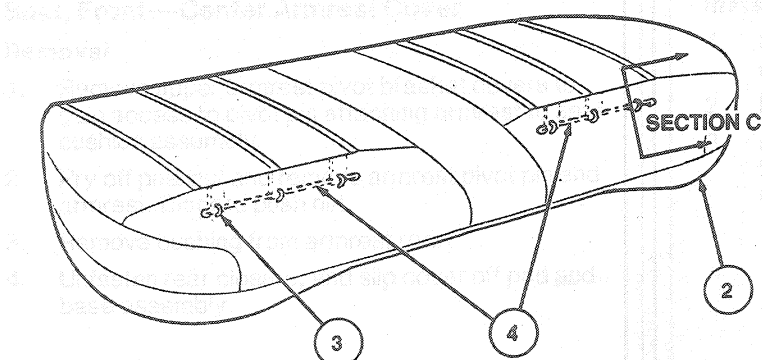
1. Position new trim cover over pad. Secure cover to horizontal listings with hog rings. Secure cover with hog rings to pad and frame assembly.
2. Install cushion assembly in vehicle as outlined.



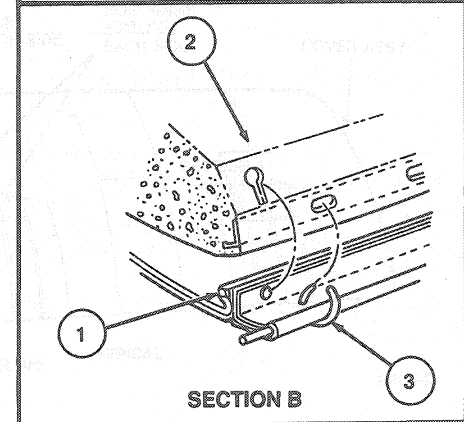
STATION WAGON



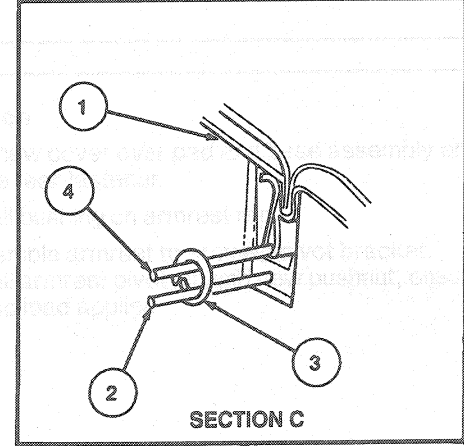
4-DOOR



SECTION A



SECTION B



SECTION C

R4173-D