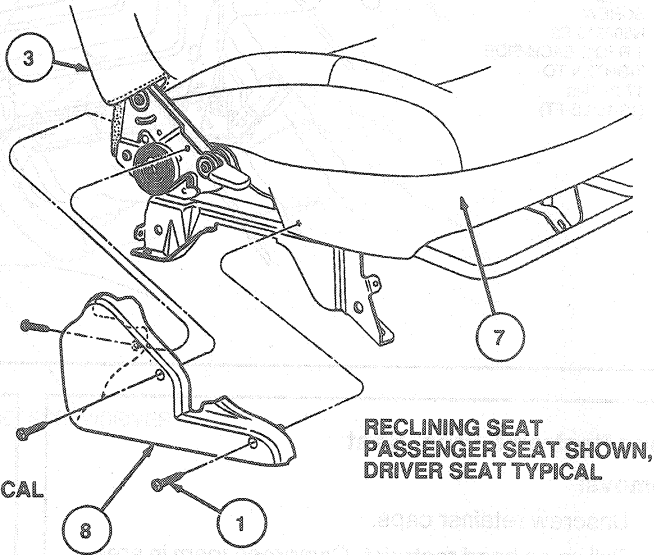
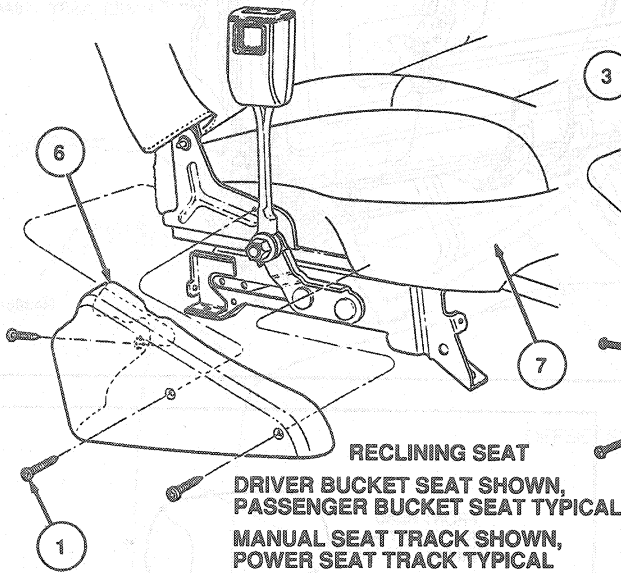
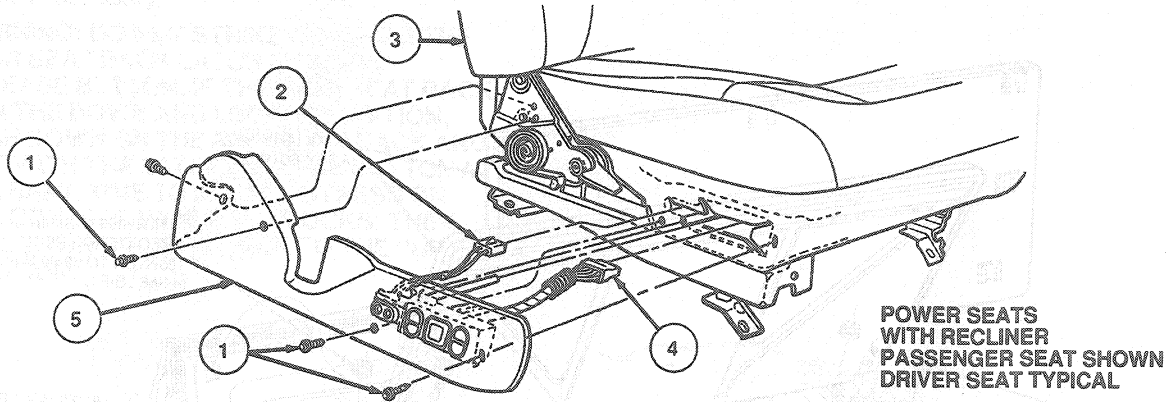


REMOVAL AND INSTALLATION (Continued)

REMOVAL AND INSTALLATION (Continued)



R4183-F

Item	Part Number	Description
1	56906-S55	Screw
2	—	Wiring, Part of 14C715 Lumbar Control Switch Assy
3	65500	Seat Back Assy

Item	Part Number	Description
4	—	Wiring, Part of 14A701 Seat Regulator Switch Assy
5	62186 RH 62187 LH	Seat Cushion Side Shield
6	61692	Pivot Cover
7	63100	Seat and Cushion Assy
8	62768	Recliner Cover

(Continued)

- Remove screws retaining seat back or recliner assembly to seat track assembly.