

REMOVAL AND INSTALLATION (Continued)

Seat Back Latch, Rear—Wagon

Out Of Vehicle

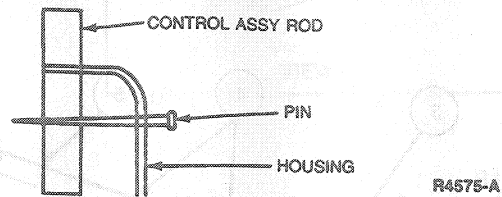
NOTE: The following procedure is to be used when the rear seat back is removed from the vehicle. When the seat back is down and in the locked position, refer to Seat Back Latch, Rear—In-Vehicle.

Removal and Installation

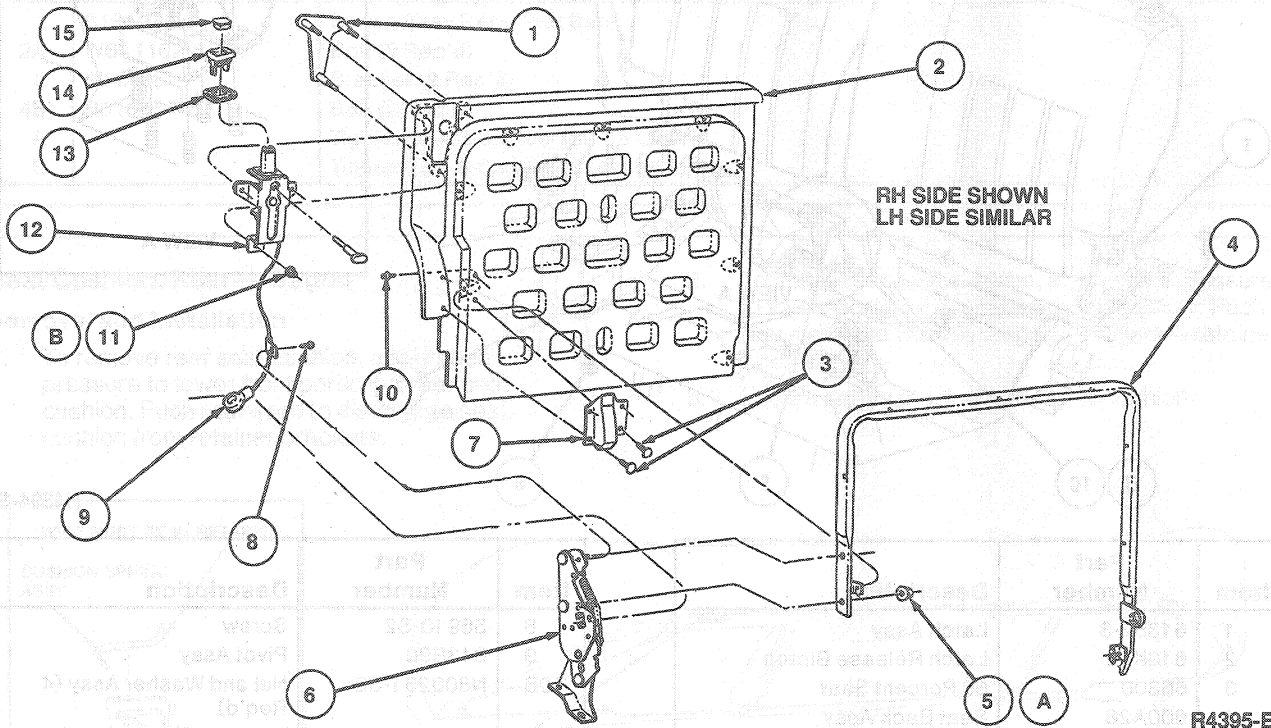
1. Remove rear seat back as outlined.
2. Remove seat back latch release button (snaps off). An offset screwdriver for a leverage tool is recommended. Save button. Remove bezel (squeeze tabs) and retain.
3. Remove rear seat back trim cover and pad as outlined.  
**Do not cut off push pins. Cut off push pins will rattle inside the load floor.**
4. Remove and save seat back latch shroud and the four push pins.
5. Remove three nuts retaining the remote control assembly to the remote control retainer and remove from seat back.

6. Remove screw securing cable "flag" to latch plate.
7. Detach remote release cable eyelet from latch.
8. Remove two nuts retaining latch to seat back frame.

NOTE: Before reinstalling pad and cover, operate latch to ensure the remote control cable tension will allow the latch to release and lock. To ensure proper height of the control assembly rod, insert an approximately 3mm pin through the housing and rod before beginning installation procedure of the remote control assembly. Remove pin after installation is completed.



9. To install, reverse Removal procedure.



Item	Part Number	Description
1	—	Remote Control Retainer
2	60546 RH 60547 LH	Seat Back Panel Assy
3	—	Push Pins (4 Req'd)
4	613A38 RH 613A39 LH	Seat Back Frame Assy

(Continued)

Item	Part Number	Description
5A	N620482-S2	Frame-to-Latch Retaining Nut (2 Req'd)
6	61382-3	Seat Back Latch Assy
7	—	Latch Shroud
8	56903-S2	Screw

(Continued)