

REMOVAL AND INSTALLATION (Continued)

Seat Back, Rear—Split Folding

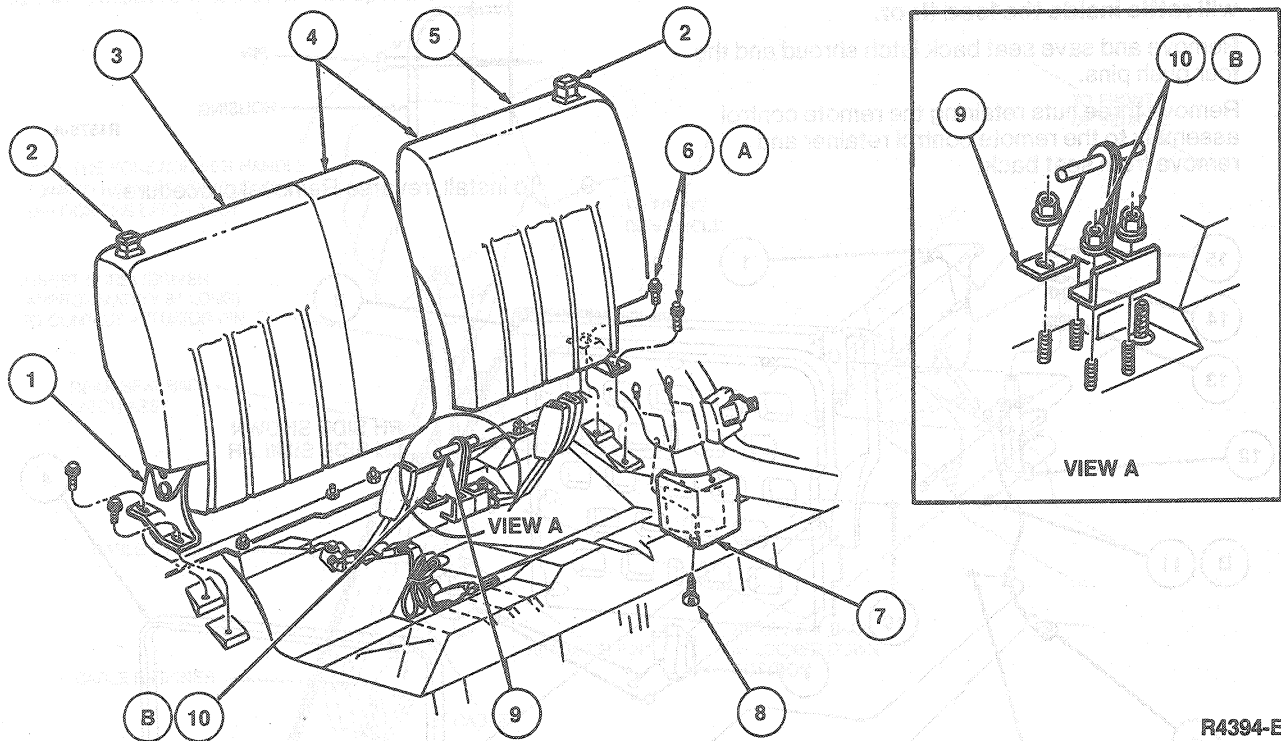
Wagon

Removal

1. Remove rear seat cushion as outlined.
2. Remove seat back side bolster lower pads by removing retaining screws (one each). Slide pad upward, while twisting it inboard slightly to disengage plastic push pins retaining pad to quarter trim panel.
3. Remove four bolts (two each seat back) retaining seat back assembly to floorpan.
4. Remove seat back from inboard pivot pin by sliding seat back toward outboard side of vehicle.

Installation

1. Position seat back onto inboard pivot pin in the full-up position.
2. Install seat back-to-floorpan retaining bolts (two each side). Tighten to 35-55 N-m (26-40 lb-ft).
3. Check seat back latch for proper operation.
NOTE: A nut and bolt have been provided on the LH (40 percent) seat back latch only, to align the RH seat back to the fixed position (± 2 degrees adjustment). To align the RH seat back, loosen the nut and bolt and reposition the bolt in its slot. Tighten the bolt and nut to 35-55 N-m (26-40 lb-ft). Ensure seat backs operate properly after alignment.
4. Install seat back side pads and retaining screws.



R4394-E

Item	Part Number	Description
1	61382-3	Latch Assy
2	613K52	Latch Release Button
3	66800	60 Percent Seat
4	600A28	Seat Back Assy
5	66801	40 Percent Seat
6A	N804637-S2	Bolt (2 Req'd Each Side)
7	66878	Side Pad

Item	Part Number	Description
8	56910-S2	Screw
9	613B90	Pivot Assy
10B	N800251-S2	Nut and Washer Assy (4 Req'd)
A		Tighten to 35-55 N-m (26-40 Lb-Ft)
B		Tighten to 17-27 N-m (13-19 Lb-Ft)

(Continued)