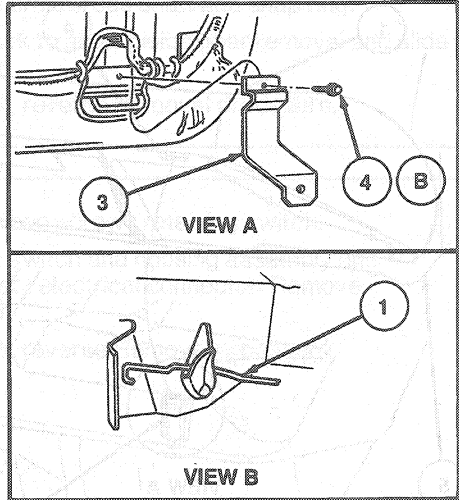
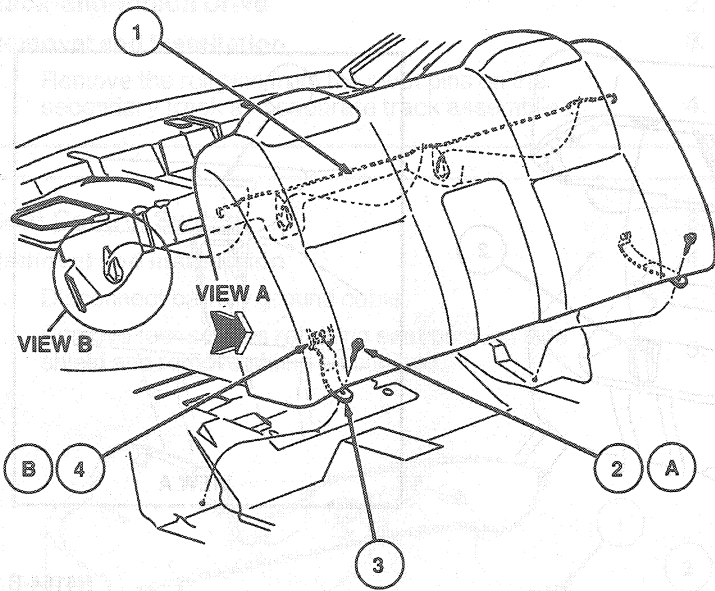


REMOVAL AND INSTALLATION (Continued)

(Continued) REMOVAL AND INSTALLATION



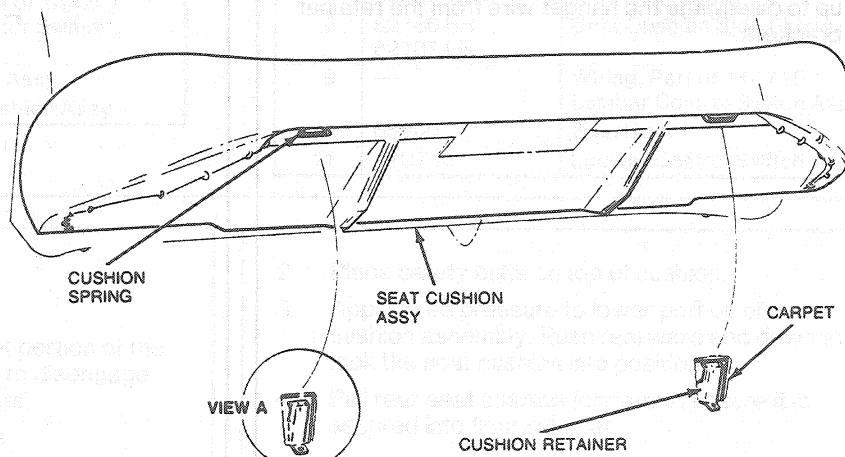
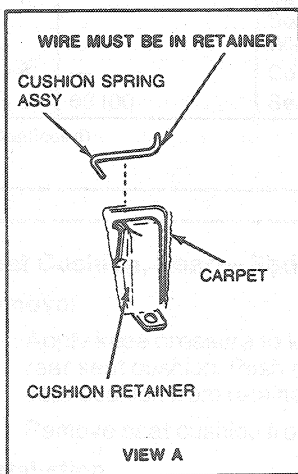
R4165-F

Item	Part Number	Description
1	613A38	Spring Assy Rear Seat Back
2A	W611102-S36	Bolt (2 Req'd)
3	624A38	Bracket (2 Req'd)
4B	N610957-S2	Bolt (2 Req'd)
A		Tighten to 4.3-6.3 N-m (39-55 Lb-In)
B		Tighten to 4.6-6.8 N-m (41-61 Lb-In)

Seat Cushion, Rear—Wagon

Removal and Installation

- To remove rear seat cushion, apply knee pressure to lower front portion of rear seat cushion. Push rearward to disengage seat cushion from retainer brackets.
- To install rear seat cushion, apply knee pressure to lower portion of seat cushion assembly. Push rearward and down to engage cushion in retainer brackets.
- Ensure safety belts are on top of cushion.



R4393-A