

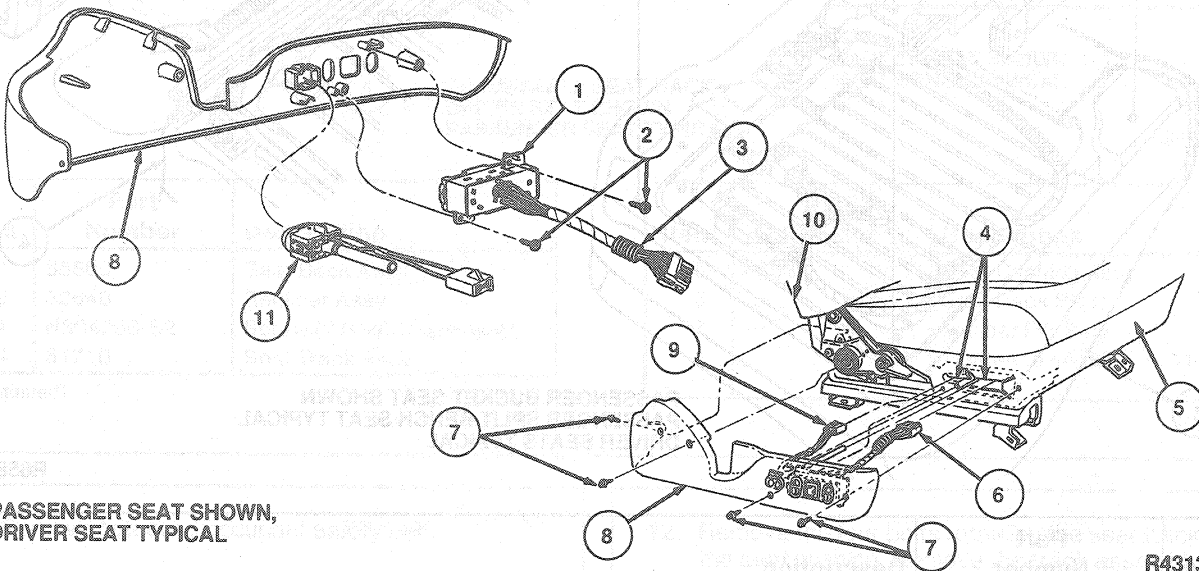
## REMOVAL AND INSTALLATION (Continued)

**Rack-and-Pinion Drive****Removal and Installation**

1. Remove the roll pins from the pivot pins on the secondary track and separate track assemblies.
2. Remove drive cross shaft and snap ring.
3. Slide track to allow pinion gear removal and slide gear out.
4. To install, reverse Removal procedure.

**Seat Control Switch****Removal and Installation**

1. Disconnect battery ground cable.
2. Remove four screws retaining seat cushion side shield and remove shield as outlined.
3. Remove two screws retaining switch.
4. Remove switch and housing assembly and disconnect electrical connector. Remove assembly.
5. To install, reverse Removal procedure.

PASSENGER SEAT SHOWN,  
DRIVER SEAT TYPICAL

R4313-C

Item	Part Number	Description
1	14A701	Seat Regulator Switch
2	56902-S2	Screw (2 Req'd)
3	—	Conduit, Part of 14A701 Seat Regulator Switch Wiring
4	—	Cover Slit at Assy
5	63100	Seat and Cushion Assy

(Continued)

Item	Part Number	Description
6	—	Wiring, Part of 14A701 Seat Regulator Switch Assy
7	56906-S55	Screw (4 Req'd)
8	62186 RH 62187 LH	Seat Cushion Side Shield
9	—	Wiring, Part of 14C715 Lumbar Control Switch Assy
10	65500	Seat Back
11	14C715	Lumbar Control Switch Assy

**Seat Cushion, Rear—Sedan****Removal**

1. Apply knee pressure to lower front portion of the rear seat cushion. Push rearward to disengage seat cushion from retainer brackets.
2. Remove seat cushion from vehicle.

**Installation**

1. Position seat cushion assembly into vehicle.

2. Place safety belts on top of cushion.
3. Apply knee pressure to lower portion of seat cushion assembly. Push rearward and down to lock the seat cushion into position.
4. Pull rear seat cushion forward to ensure it is secured into floor retainer.