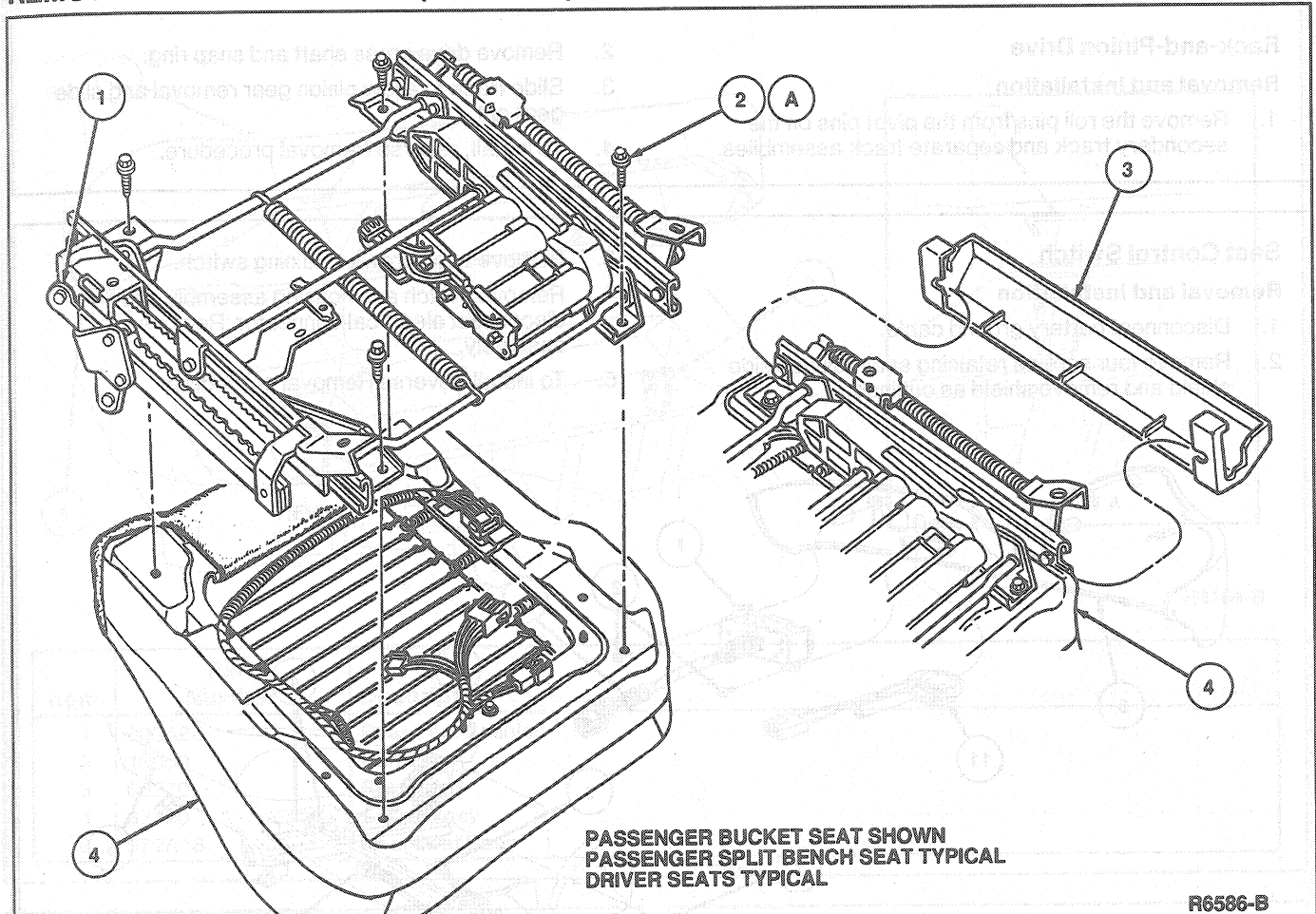


## REMOVAL AND INSTALLATION (Continued)



PASSENGER BUCKET SEAT SHOWN  
PASSENGER SPLIT BENCH SEAT TYPICAL  
DRIVER SEATS TYPICAL

R6586-B

Item	Part Number	Description
1	61700 (Passenger) 61701 (Driver)	Track Assy
2A	N801078-S2	Screw (4 Req'd)
3	62126	Front Seat Track Outer Shield
4	—	Seat Cushion
A	—	Tighten to 12-24 N·m (9-17 Lb·Ft)

**Installation**

1. Position the track assembly to the seat cushion.
2. Secure the outboard occupant safety belt to seat track.
3. Secure the seat track assembly to the seat cushion using the four retaining bolts. Tighten the bolts to 12-24 N·m (9-17 lb-ft).
4. Install seat recliner-to-seat track retaining bolts. Tighten to 44-60 N·m (33-44 lb-ft).
5. Connect lumbar hoses, if equipped.
6. Install cushion side shield to the seat track assembly.
7. Connect the power seat switch to motor wire harness, if so equipped.
8. Install center occupant safety belt to seat track.
9. Position the seat and track assembly in vehicle.
10. Lift seat and track assembly high enough to permit the connection of the harness connectors, then connect wires.
11. Install the seat track-to-floorpan retaining nuts and washers and/or bolts. Tighten the bolts to 12-24 N·m (9-17 lb-ft), inboard nut to 60-90 N·m (44-60 lb-ft) and outboard nut to 12-24 N·m (9-17 lb-ft).
12. Install insulator covers.
13. Install the safety belt-to-floorpan retaining bolt. Refer to Section 01-20A.
14. Check seat tracks for proper operation.