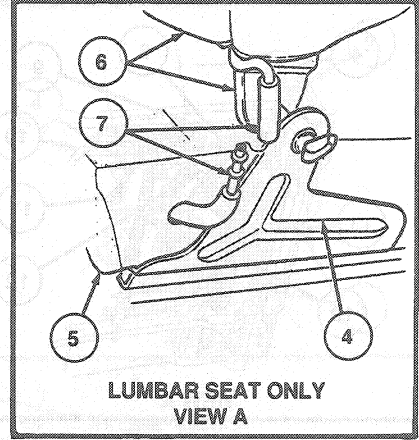
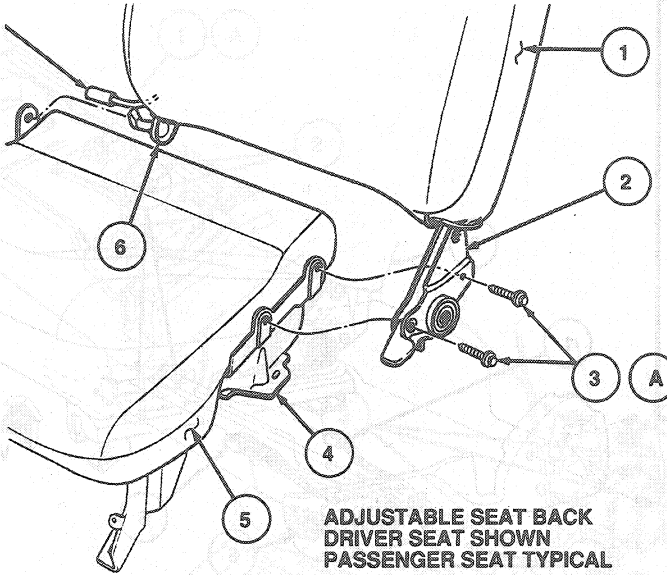


REMOVAL AND INSTALLATION (Continued)

(Continued)

TO LUMBAR SUPPORT  
VIEW A



BUCKET SEAT SHOWN  
SPLIT BENCH TYPICAL

ADJUSTABLE SEAT BACK  
DRIVER SEAT SHOWN  
PASSENGER SEAT TYPICAL

R4184-F

Item	Part Number	Description
1	65500	Seat Back Assy
2	62648	Recliner Assy
3A	N804266-S2	Screw (2 Req'd Each Seat)
4	61710	Seat Track Assy

Item	Part Number	Description
5	65534	Seat Cushion Assy
6	—	Seat Back Pivot
7	—	Lumbar Fill Tube
A		Tighten to 44-60 N·m (31-44 Lb·Ft)

(Continued)

TR4184F

11. Remove outboard occupant safety belt.

12. Remove the four bolts retaining the seat track to the seat cushion. Remove the track assembly.