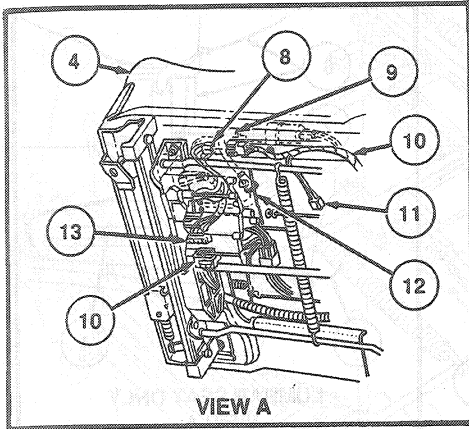
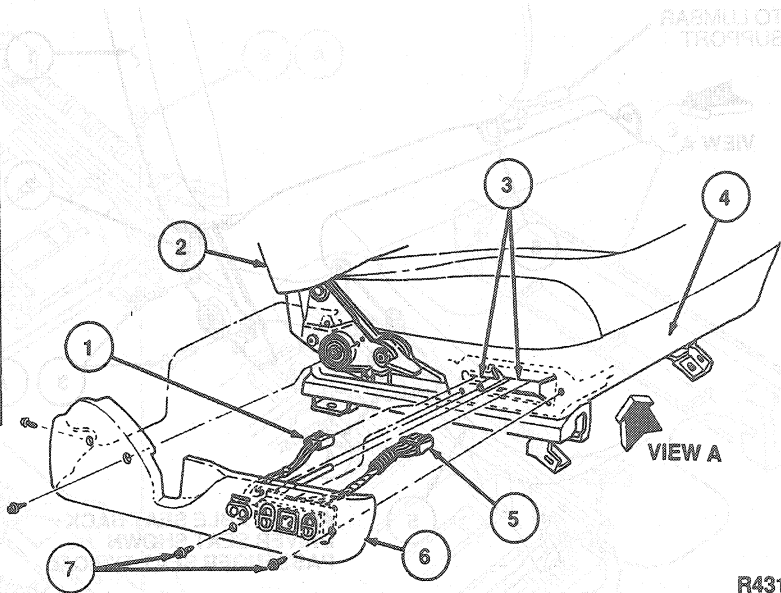


REMOVAL AND INSTALLATION (Continued)

(Continued) REMOVAL AND INSTALLATION



PASSENGER SEAT SHOWN
DRIVER SEAT TYPICAL



R4310-D

Item	Part Number	Description
1	—	Wiring, Part of 14C715 Lumbar Control Switch Assy
2	65500	Seat Back
3	—	Cover Slit at Assembly
4	63100	Seat and Cushion Assy
5	—	Wiring, Part of 14A701 Seat Regulator Switch Assy
6	62186 RH 62187 LH	Seat Cushion Side Shield

(Continued)

Item	Part Number	Description
7	56906-S55	Screw (4 Req'd)
8	—	To Front Seat Back Switch Assy
9	—	To Power Lumbar Pump
10	—	Seat Control Power Feed
11	—	To Floor Wiring Harness
12	—	To Power Lumbar Switch
13	—	To Seat Regulator Control Switch

9. Remove two screws retaining recliner mechanism to the seat track.
10. Remove seat back from seat track.

11. Disconnect the seat back wiring harness from the seat track.
12. Disconnect the seat back wiring harness from the seat track.
13. Disconnect the seat back wiring harness from the seat track.
14. Check seat operation for proper operation.