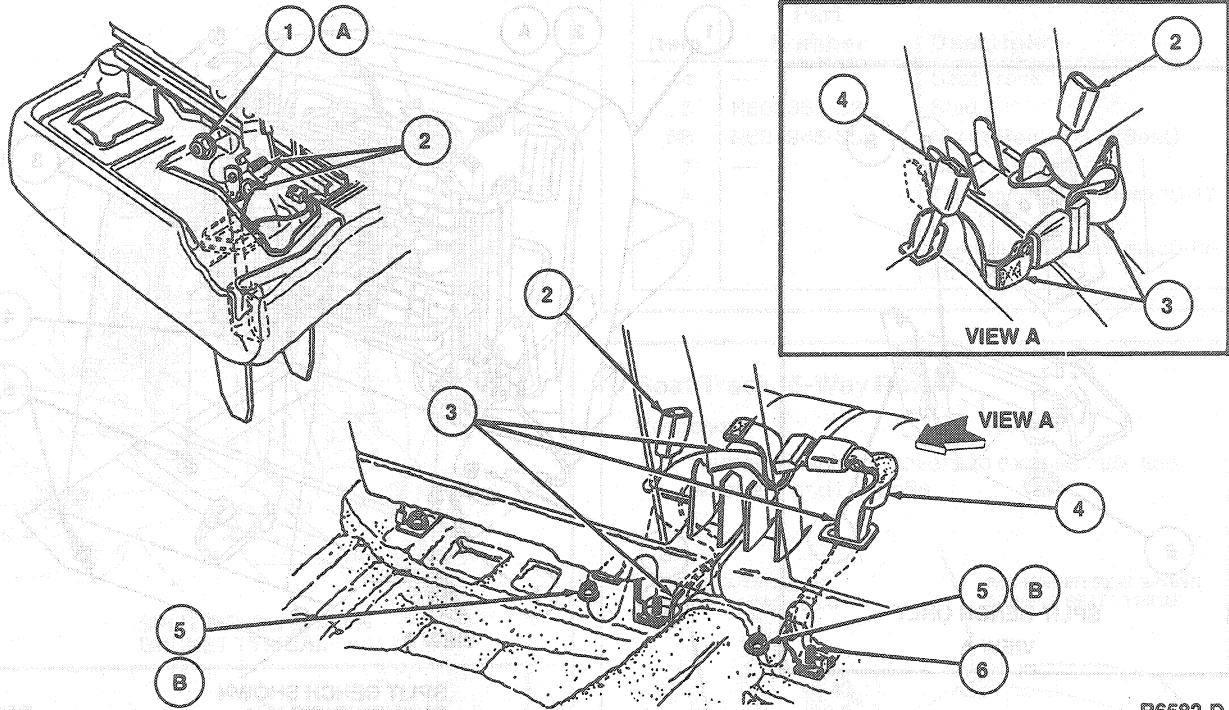


REMOVAL AND INSTALLATION (Continued)

(Continued)



R6583-D

Item	Part Number	Description
1A	N800937-S190	Nut (1 Req'd Each Side)
2	61203-A	LH Cable and Buckle Assy
3	611B60-A	Front Center Belt Assy
4	61202-A	RH Cable and Buckle Assy

(Continued)

Item	Part Number	Description
5B	N620483-S36	Nut (1 Req'd Each Side)
6	N802063-S2	Stud
A		Tighten to 30-43 N-m (23-31 Lb-Ft)
B		Tighten to 68-92 N-m (50-68 Lb-Ft)

6. Disconnect the power seat switch-to-motor wire harness, if so equipped.

7. Disconnect lumbar hoses, if equipped.
8. Remove cushion side shield from seat assembly.