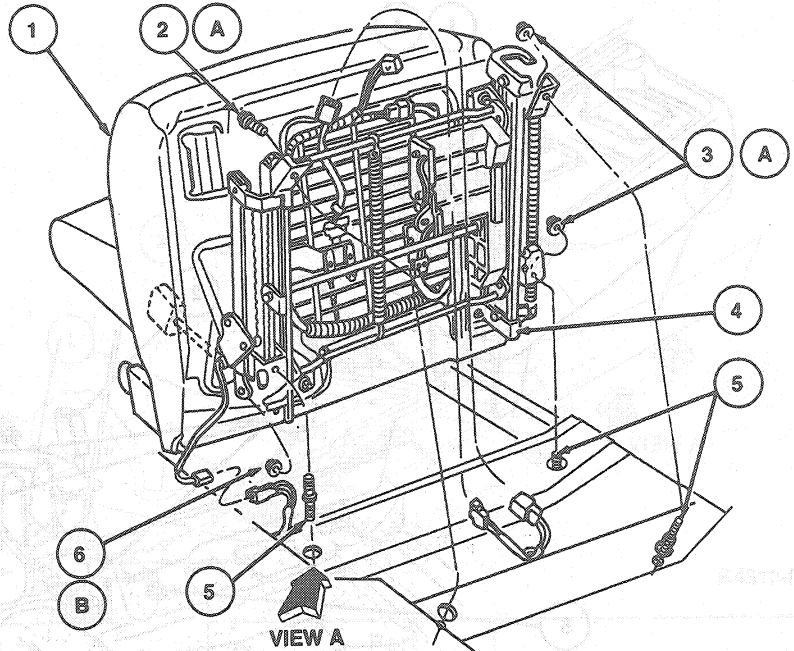
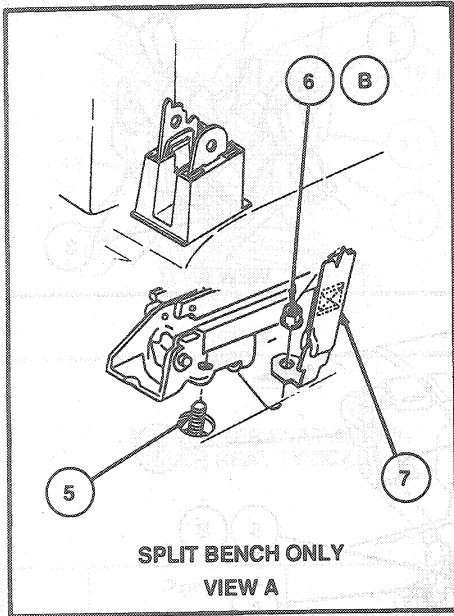


REMOVAL AND INSTALLATION (Continued)

REMOVAL AND INSTALLATION (Continued)



R4309-F

Item	Part Number	Description
1	63100	Front Seat Cushion Assy
2A	N802188-S58	Bolt (1 Req'd Each Seat)
3A	N800251-S58	Nut (2 Req'd Each Seat)
4	—	Seat Track Assy
5	N802063-S2	Stud (3 Req'd Each Seat)

(Continued)

Item	Part Number	Description
6B	N621945-S58	Nut
7	—	Safety Belt Assy
A		Tighten to 15-20 N·m (11-15 Lb-Ft)
B		Tighten to 68-92 N·m (50-68 Lb-Ft)

CAUTION: Use care when handling seat and track assembly. Dropping the assembly or sitting on seat not secured in vehicle may result in damaged components.

3. Lift the seat and track assembly high enough to disconnect the harness connectors. Remove the seat and track assembly from the vehicle.

4. Place the seat upside down on a clean bench.
5. Remove center occupant safety belt, if so equipped.