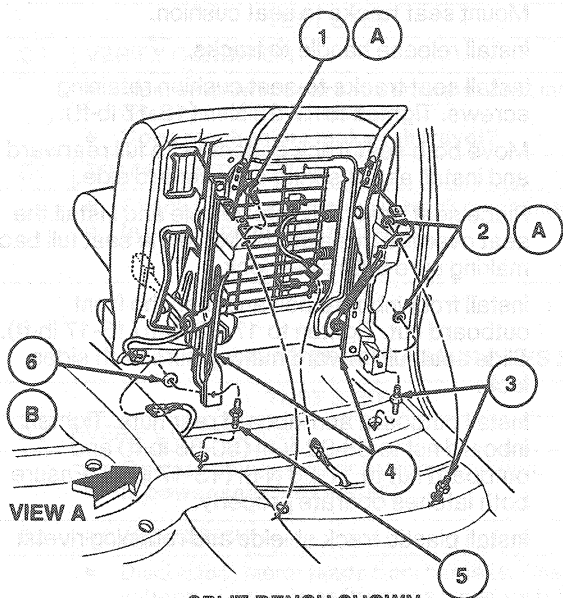
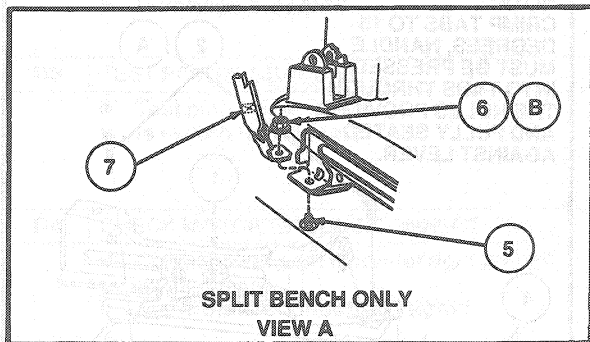


REMOVAL AND INSTALLATION (Continued)



SPLIT BENCH SHOWN  
BUCKET TYPICAL



SPLIT BENCH ONLY  
VIEW A

R7016-C

Item	Part Number	Description
1A	N802188-S58	Bolt
2A	N800251-S58	Nut (2 Req'd Each Seat)
3	N802863-S2	Outboard Stud (2 Req'd Each Seat)

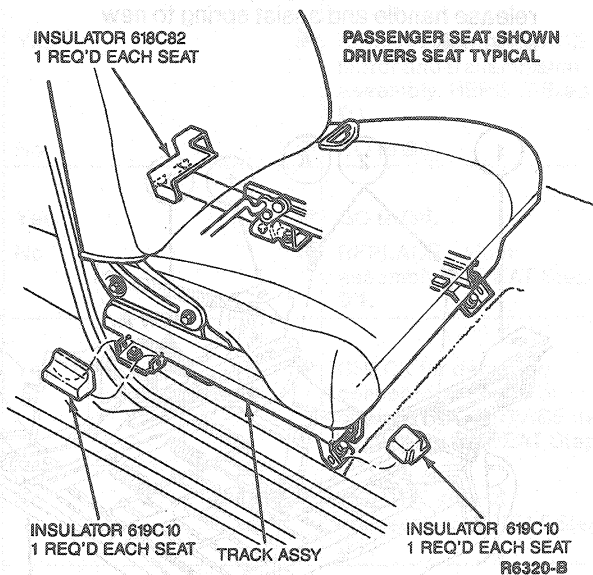
(Continued)

Item	Part Number	Description
4	—	Seat Track
5	N802351-S2	Stud
6B	N621945-S58	Nut (1 Req'd Each Seat)
7	—	Safety Belt Assy
A		Tighten to 17-23 N·m (13-17 Lb-Ft)
B		Tighten to 68-92 N·m (50-68 Lb-Ft)

Seat Track, 6-Way Power

Removal

1. Remove insulator covers to expose nuts and washers and/or bolts.



2. Remove nuts and washers and bolts retaining the seat and track assembly to the floorpan.