

REMOVAL AND INSTALLATION

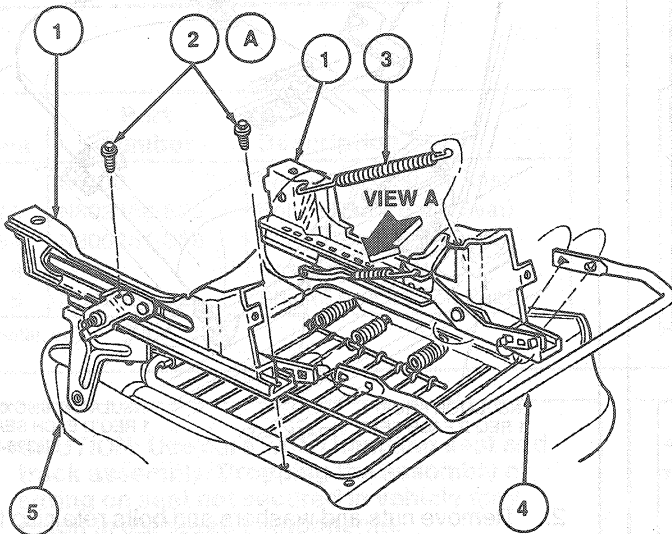
Seats, Bucket and Split Bench—Manual

Removal

1. Remove plastic track shields retaining rivets and remove shields.
2. Remove bolt and nuts retaining seat tracks to floor. Move seat full forward to release assist spring.

CAUTION: Use care when handling seat and track assembly. Dropping assembly or sitting on seat not secured in vehicle may result in damaged components.

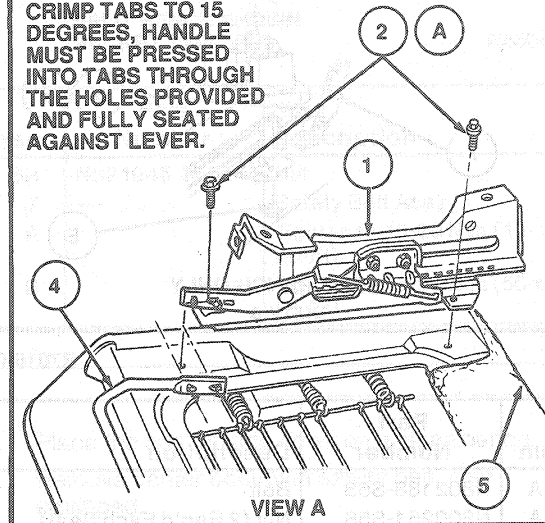
3. Remove seat and track assembly from vehicle and place on a clean work area.
4. Remove seat track-to-seat cushion retaining screws. Remove seat cushion and assist spring from tracks.
5. Remove seat track release handle.
6. If seat tracks are being replaced, transfer track release handle and assist spring to new assembly.



Installation

1. Mount seat tracks to seat cushion.
2. Install release handle to tracks.
3. Install seat tracks-to-seat cushion retaining screws. Tighten to 17-23 N·m (13-17 lb-ft).
4. Move both seat track pedestals to full rearward and install assist spring on outboard side.
5. Place seat assembly into vehicle and install the seat over the three studs. Move the seat full back making sure both sides lock.
6. Install front inboard bolt and then the front outboard nut. Tighten to 17-23 N·m (13-17 lb-ft). Slide seat full forward making sure both sides lock.
7. Install outboard and inboard rear nuts. Tighten inboard nut to 68-92 N·m (50-68 lb-ft) and outboard nut to 17-23 N·m (13-17 lb-ft). Ensure both latches operate properly.
8. Install plastic track shields and retaining rivets.

NOTE:
CRIMP TABS TO 15 DEGREES, HANDLE MUST BE PRESSED INTO TABS THROUGH THE HOLES PROVIDED AND FULLY SEATED AGAINST LEVER.



R4171-F

Item	Part Number	Description
1	618B47 (Inboard) 618B46 (Outboard)	Track Assy
2A	N801078-S58	Track-to-Seat Retaining Screw (4 Req'd Each Seat)
3	61828	Seat Track Assist Spring
4	61755	Front Seat Track Adjustment Handle
5	63100	Spring Assy—Front Seat Cushion
A		Tighten to 17-23 N·m (13-17 Lb-Ft)

TR4171F