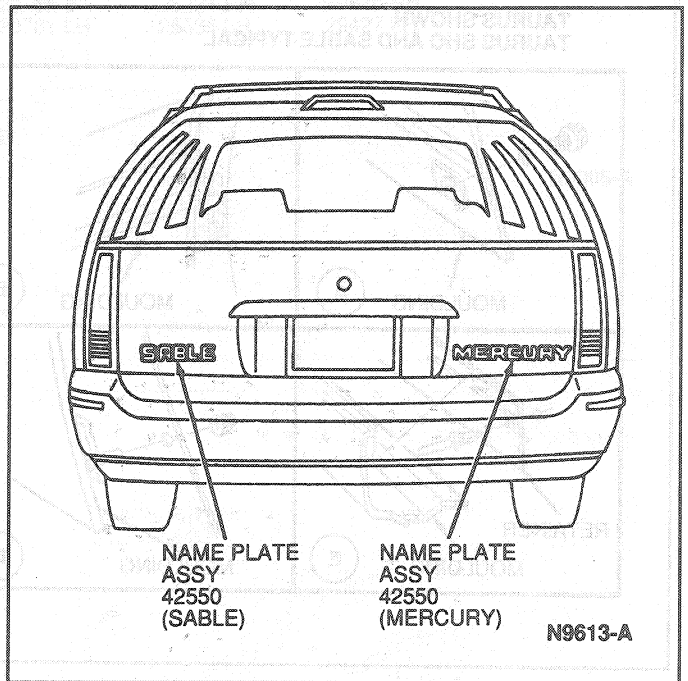
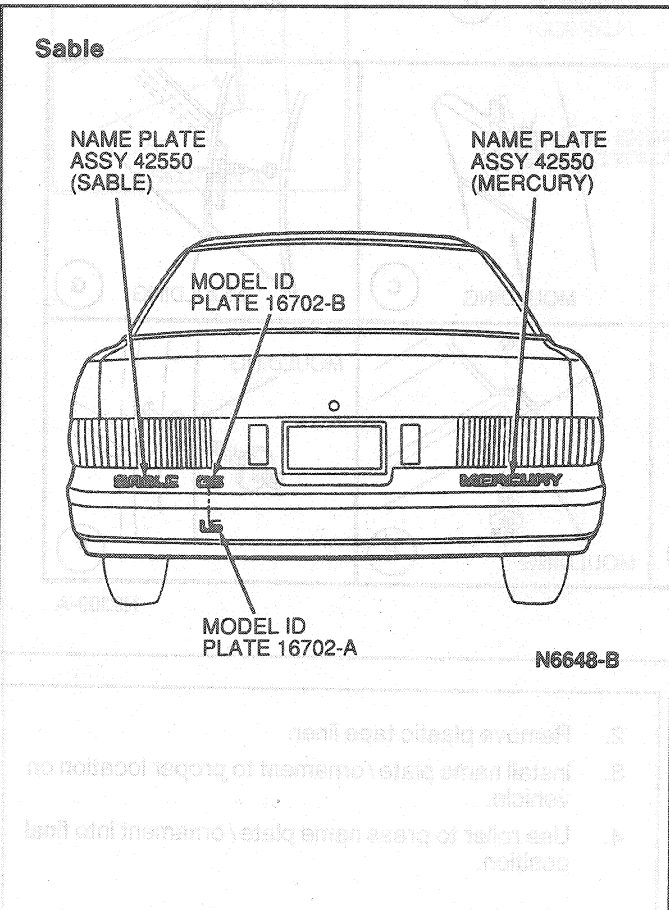
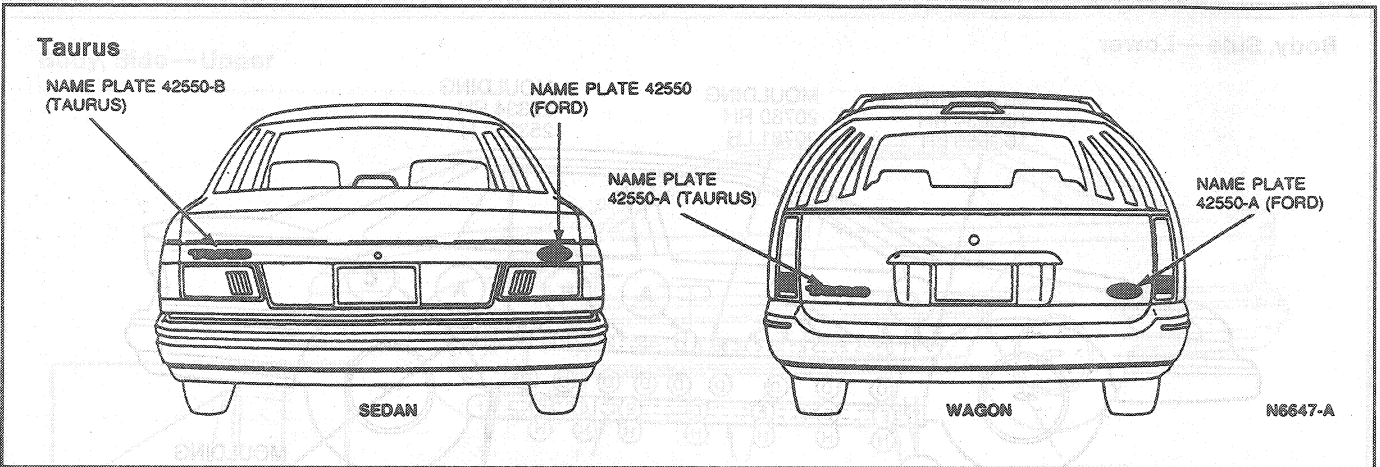


REMOVAL AND INSTALLATION (Continued)



SPECIFICATIONS

TORQUE SPECIFICATIONS

Description	N·m	Lb·In
Rail Assembly	1.4-2.3	13-20