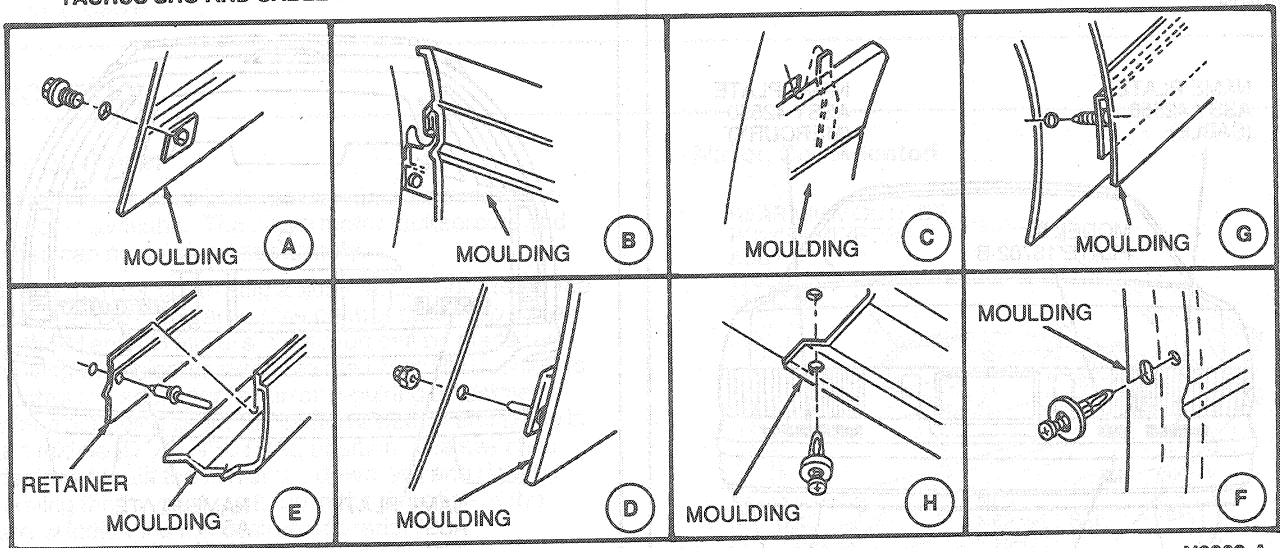
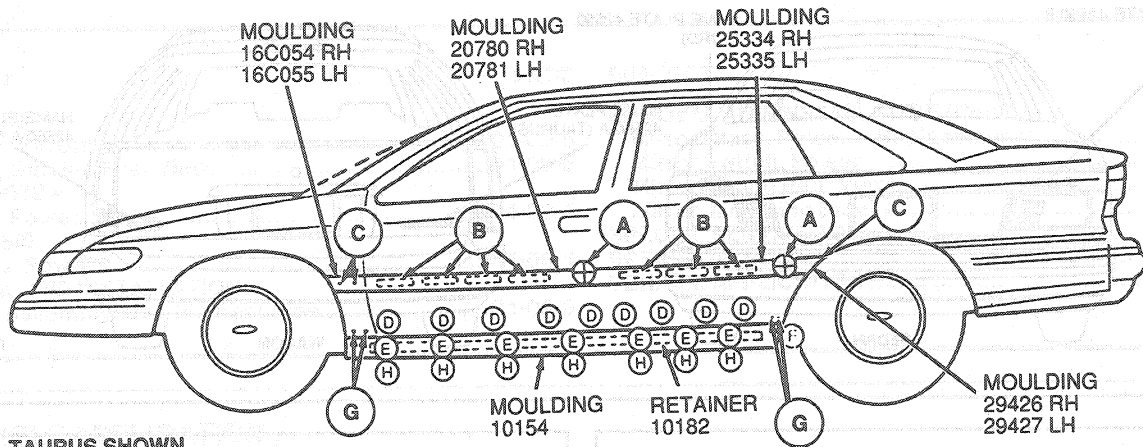


REMOVAL AND INSTALLATION (Continued)

Body, Side—Lower



N9309-A

Exterior Ornamentation, Rear

Adhesive Name Plate / Ornament Installation

NOTE: The installation area for any adhesive name plate / ornament system should be clean and dry.

1. Heat name plate / ornament evenly to 85-95°F.

2. Remove plastic tape liner.
3. Install name plate / ornament to proper location on vehicle.
4. Use roller to press name plate / ornament into final position.