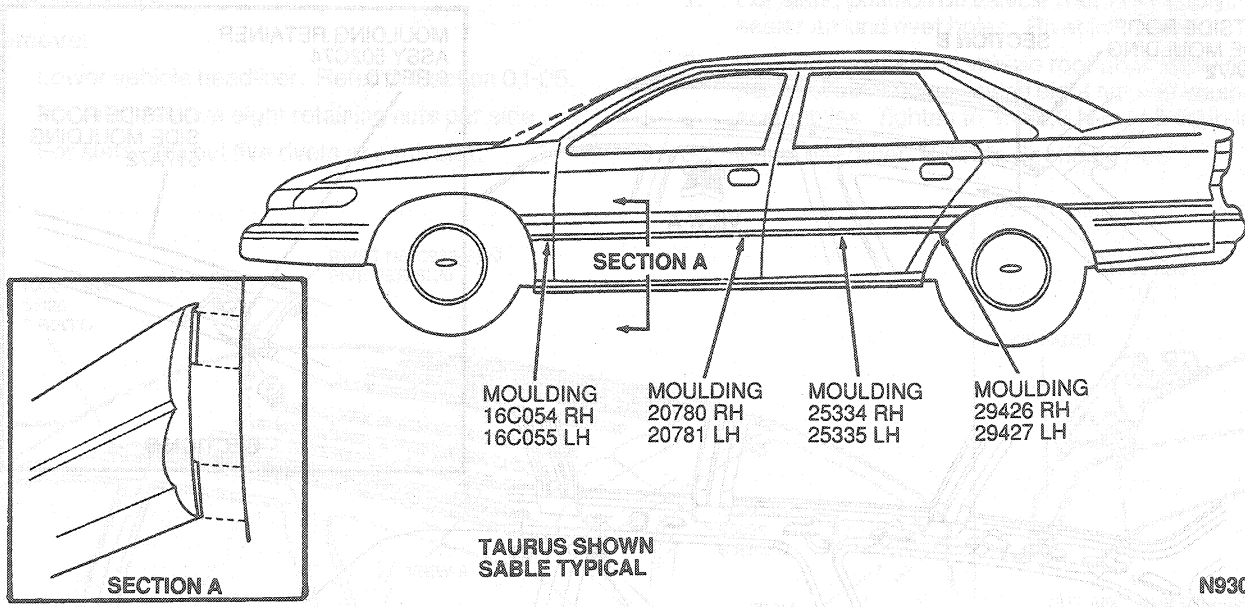


REMOVAL AND INSTALLATION (Continued)

Body, Side—Upper



Sealing, Exterior

Before applying the exterior sealant, the surface to be sealed must be clean, dry, and free of any oil or grease. The sealant should be applied in a continuous, uniform bead along the joint. The sealant should be allowed to cure for the recommended time before the vehicle is driven.

