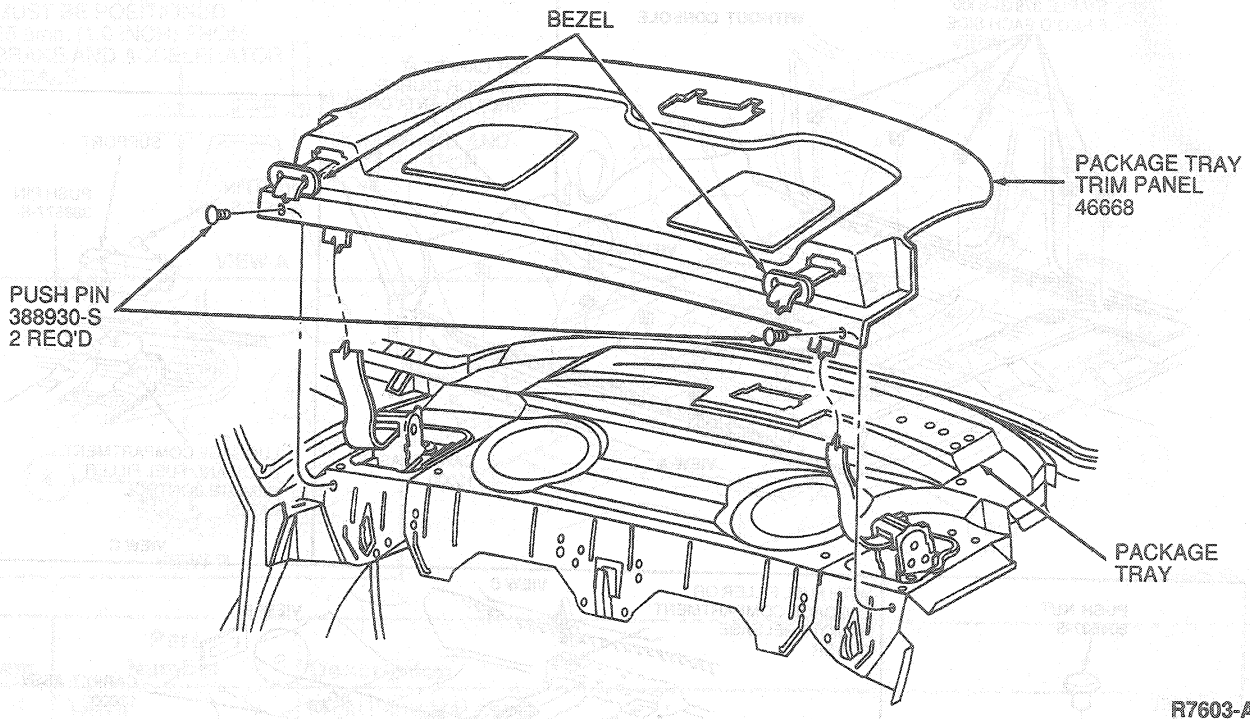


REMOVAL AND INSTALLATION (Continued)

10. To install, reverse Removal procedure.



Luggage Cover

Wagon

Removal

1. Raise liftgate to full-open position.
2. Grasp shade handle and pull it slightly forward to disengage hooked sides of outstretched cover from its retainers on quarter trim panels. Allow shade to retract on its roller.
3. Disengage cover roller from its side mounting brackets. Remove luggage cover assembly from vehicle.

NOTE: The luggage cover on wagon models should be removed from the vehicle when not in use. That is, when the luggage cover is not attached to its side mounting brackets.

4. Close liftgate.

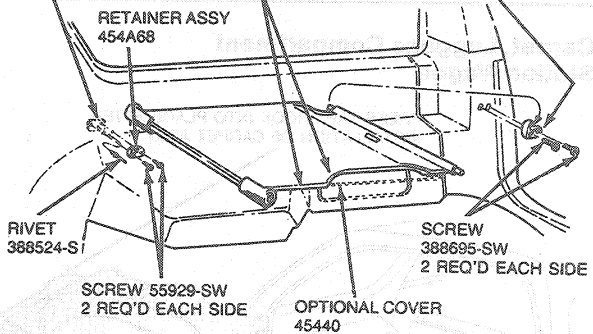
Installation

1. Raise liftgate to full-open position.
2. Position luggage cover into its side mounting brackets, located behind rear seat back (when seat back is in UP position). When installed, shade roller should face upward.
3. Grasp shade handle and pull luggage cover. Hook sides of outstretched cover to retainers on quarter trim panels.
4. Close liftgate.

PLATE LUGGAGE COVER
RETAINER 45798
2 REQ'D

STANDARD
LUGGAGE COVER
ASSY 45440

COVER RETAINER
RH 454A24
LH 454A25



Retractable Spring Rewinding

The retractable luggage cover contains a pre-wound torsion spring which is wound up more as the cover is extended, thus providing the spring return action.

The following procedure should be used to rewind a luggage cover which has lost all spring tension. This procedure is best accomplished with two people.

1. Remove cover from luggage cover retainer and remove from vehicle. Start with fully extended cover with smooth grain side up, as it is in vehicle.