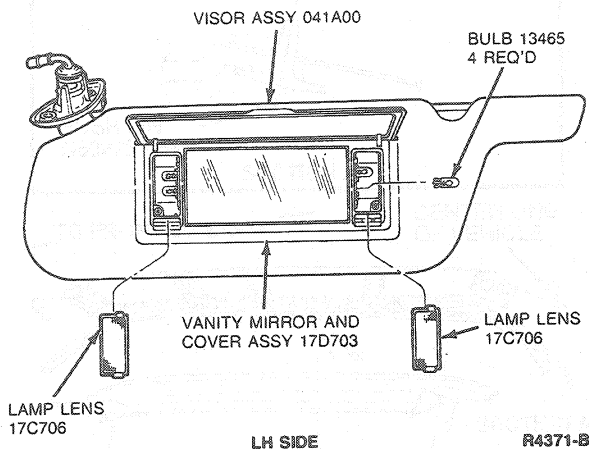


REMOVAL AND INSTALLATION (Continued)

2. To install, push bulb into socket and snap in lens cover.



Headlining

The headlining removal and installation procedures generally apply to all models. If one or more of the Steps do not apply to a particular model, proceed to the next Step.

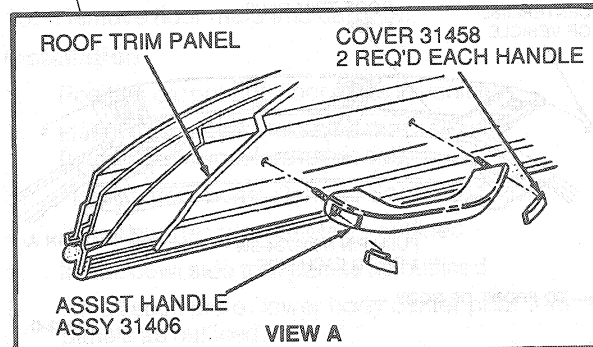
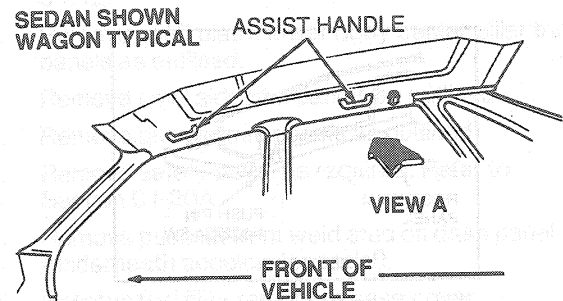
Before removing headlining on wagons, the liftgate weatherstrip and the quarter window glass and weatherstrip assemblies must be removed. When installing the headlining, start at the liftgate and move toward front of vehicle.

NOTE: If the vehicle is equipped with assist handles, they must be removed during the replacement procedure.

Removal and Installation

1. Remove RH and LH sun visor retaining screws and disconnect electrical leads (if equipped with lighted vanity) and remove visors.
2. Remove visor arm clip retaining screws and remove clips.
3. Remove roof console, if so equipped. Refer to Section 01-12.
4. Remove all dome lamps. Refer to Section 17-02.
5. Snap out assist strap retainer cover and remove roof rail assist handles (two screws each).

Assist Handles



R4341-C

6. Remove weatherstrips at door openings above belt line.
7. Remove A-pillar garnish moulding as outlined.
8. Remove center body pillar inside finish panel as outlined.
9. Remove coat hooks.
10. Remove roof headlining retaining screws (if equipped with moon roof).
11. Remove roof side rear trim panel (sedan) as outlined.
12. Remove roof side inner rear moulding retaining screws and moulding (wagon) as outlined.
13. Remove liftgate header rail garnish moulding retaining screws and moulding (station wagon) as outlined.
14. Remove rear corner upper pillar finish panel (station wagon) as outlined.
15. Remove quarter trim panel (station wagon) as outlined.
16. Remove rear push pins and headlining.
NOTE: Weatherstrip must overlap at headlining and mouldings above belt line.
17. To install, align headlining at front of vehicle over sun visor mounting holes and loosely secure. Install two rear push pins, then reverse Removal procedure.