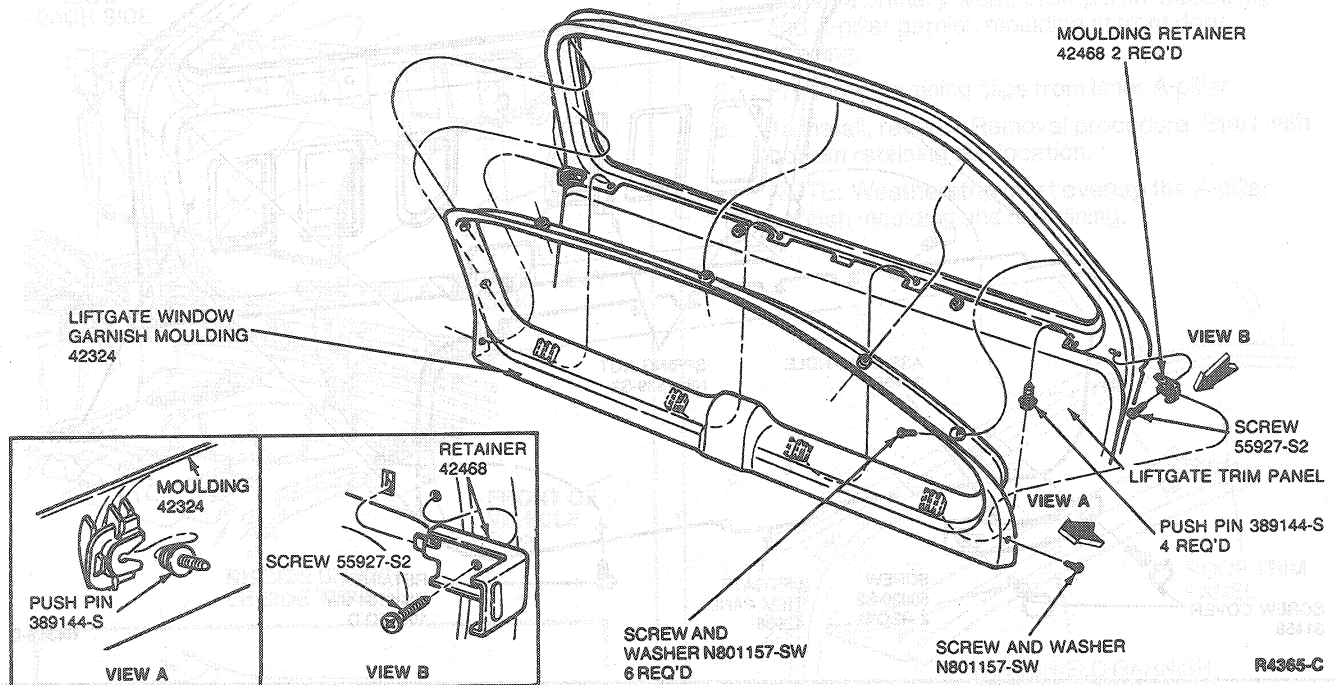


REMOVAL AND INSTALLATION (Continued)

- Remove liftgate header rail garnish moulding retaining screws and moulding.



- Remove rear corner upper finish panel retaining screws and panel as outlined.
- Remove spare wheelcover retaining screws and cover as outlined.
- Remove quarter trim panel retaining screws and panel as outlined.
- Remove liftgate scuff plate retaining screws and plate as outlined.
- Remove rear corner inner lower finish panel retaining screws and panel.
- To install, reverse Removal procedure.

Trim Panel, Liftgate

Removal and Installation

- Disconnect rear window defroster wires (RH and LH).

- Remove liftgate header rail garnish moulding retaining screws and moulding as shown under Lower Rear Corner Trim Panel, Removal and Installation, Step 2.
- Remove liftgate assist handle retaining screws and handle.
- Using the Trim Pad Removing Tool from Rotunda Moulding / Trim Kit 107-00401 or equivalent, pry out 10 push pins retaining liftgate trim panel. Remove panel.

