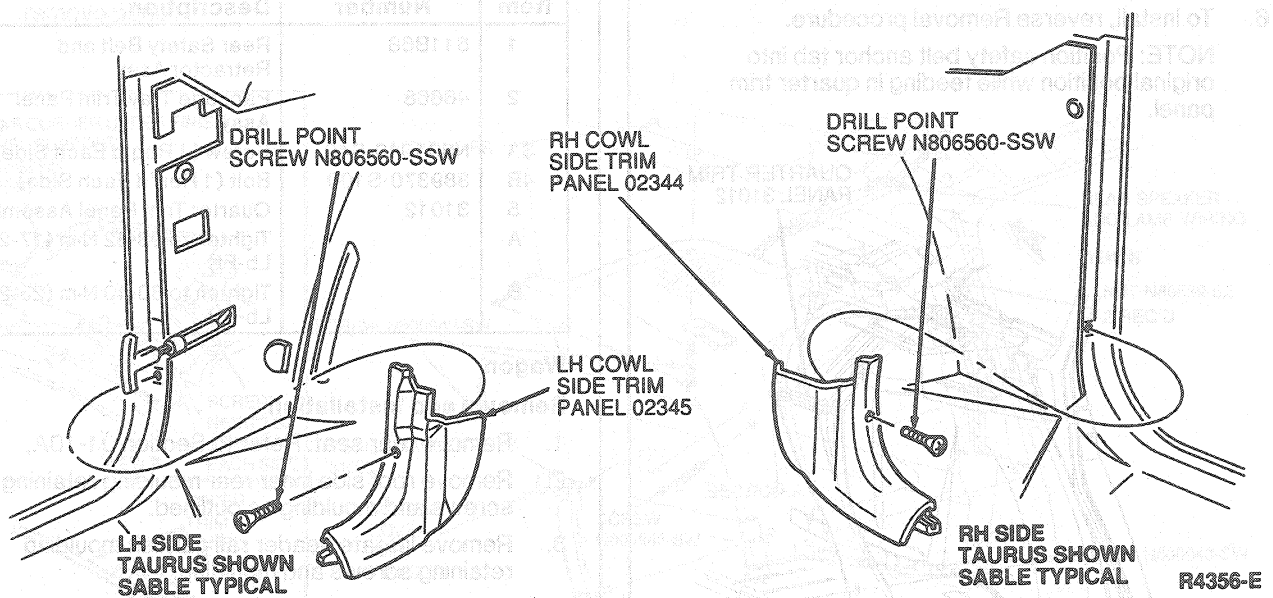


REMOVAL AND INSTALLATION (Continued)

3. To install, reverse Removal procedure.



Trim Panel, Roof Side Rear

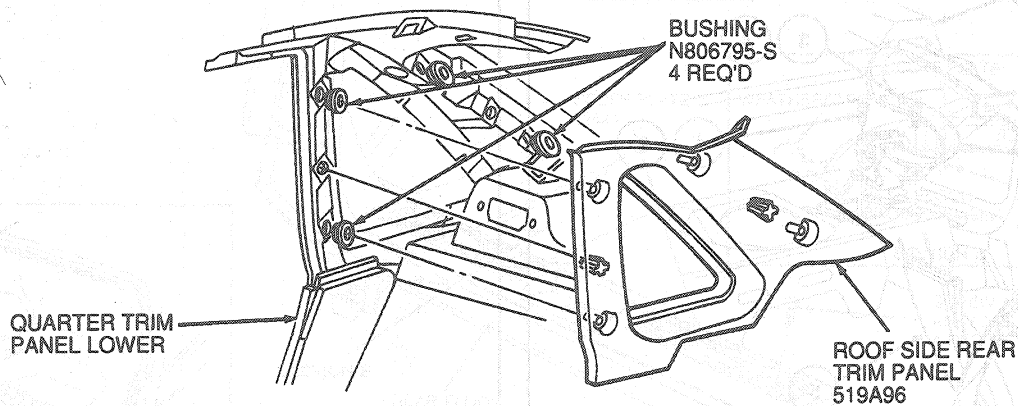
Sedan

Removal and Installation

1. Remove primary weatherstrip at rear door opening from headliner and roof side rear trim panel.

Taurus/Sable

2. Remove push pins at front of quarter window opening and at rear to remove roof side rear trim panel.
3. To install, reverse Removal procedure.
NOTE: Check primary weatherstrip to ensure it is properly secured.



Trim Panel, Quarter

Sedan

Removal and Installation

1. Remove rear seat. Refer to Section 01-10A.

2. Remove roof side rear trim panel as outlined.
3. Remove screws at rear scuff plate to loosen panel.
4. Remove quarter trim panel retaining push pin and panel.