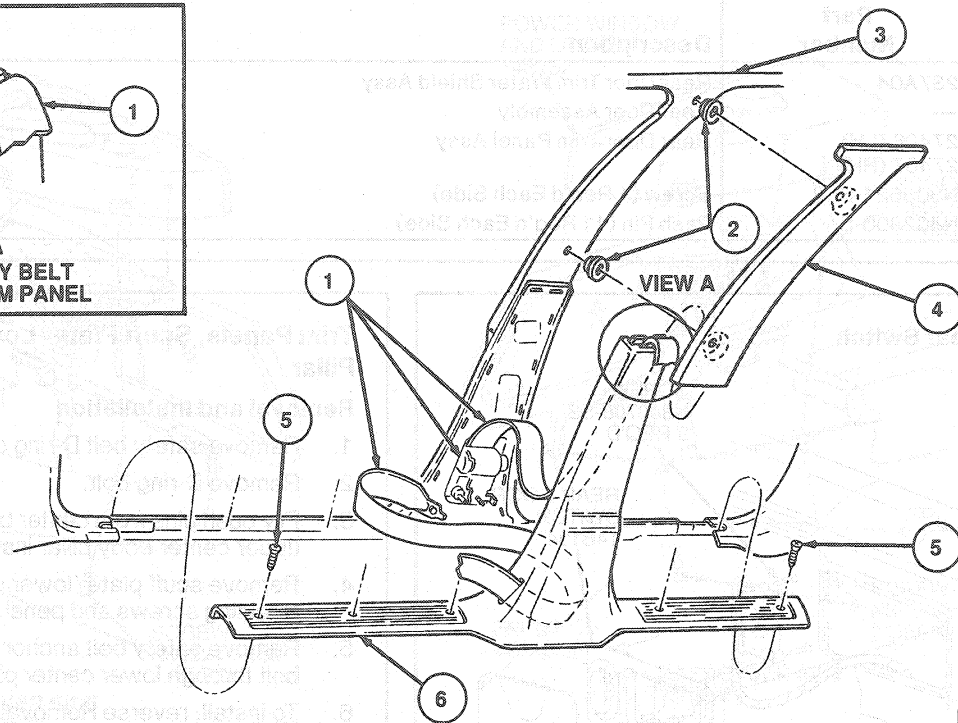
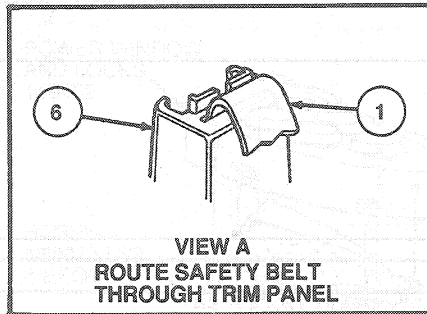


REMOVAL AND INSTALLATION (Continued)



R4353-E

| Item | Part Number | Description |
|------|-------------|--------------------------------------|
| 1 | 611A72 | Safety Belt and Retractor Assy |
| 2 | N806705-S | Bushing (2 Req'd Each Side) |
| 3 | 51968 | Roof Trim Panel |
| 4 | 24346 | Upper Center Pillar Trim Panel |
| 5 | N804992-SW | Screw and Washer (5 Req'd Each Side) |
| 6 | 13208 | Scuff Plate |

Trim Panels, Cowl Side Removal and Installation

1. Remove retaining screws at front scuff plate to loosen panel.

2. Remove cowl side trim panel retaining screw and panel.