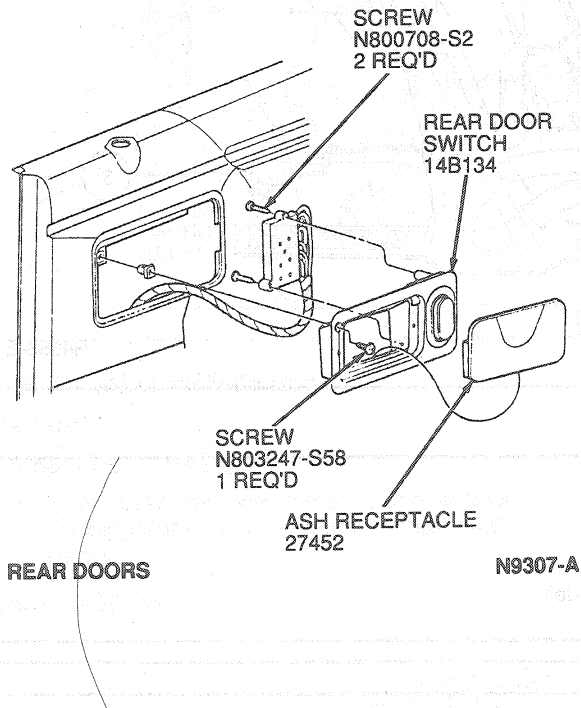


REMOVAL AND INSTALLATION (Continued)

Item	Part Number	Description
1	237A04	Rear Door Trim Water Shield Assy
2	—	Rear Door Assembly
3	27406 (LH) 27407 (RH)	Rear Door Trim Panel Assy
4	N805621-S58	Screw (1 Req'd Each Side)
5	N802900-S	Push Pin (11 Req'd Each Side)

Door, Rear Switch



Trim Panels, Scuff Plate/Lower Body Center Pillar

Removal and Installation

1. Remove safety belt D-ring cover.
2. Remove D-ring bolt.
3. Pry push pins from center body pillar to remove upper center body pillar inside finish panel.
4. Remove scuff plate/lower center pillar trim panel retaining screws and panel.
5. Remove safety belt anchor bolt and slide safety belt through lower center pillar trim panel slot.
6. To install, reverse Removal procedure.

NOTE: Position safety belt anchor tab into original position while feeding in lower center pillar trim.