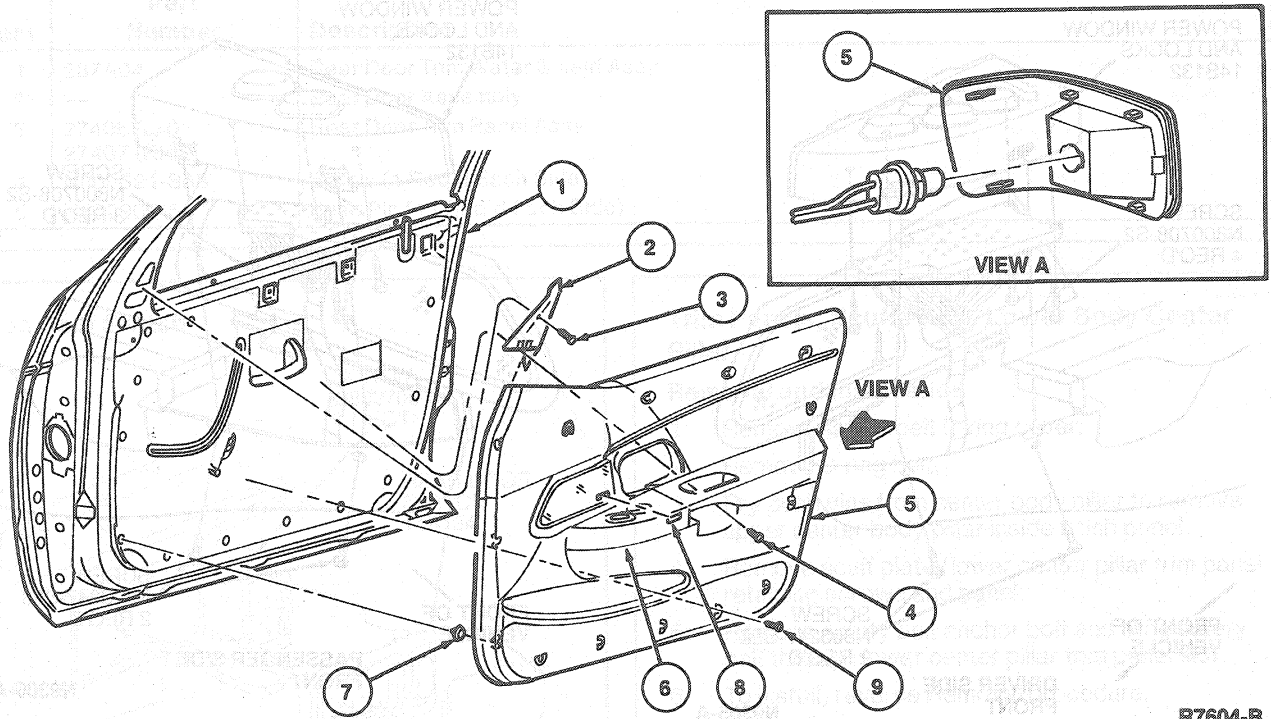


REMOVAL AND INSTALLATION (Continued)

High Series



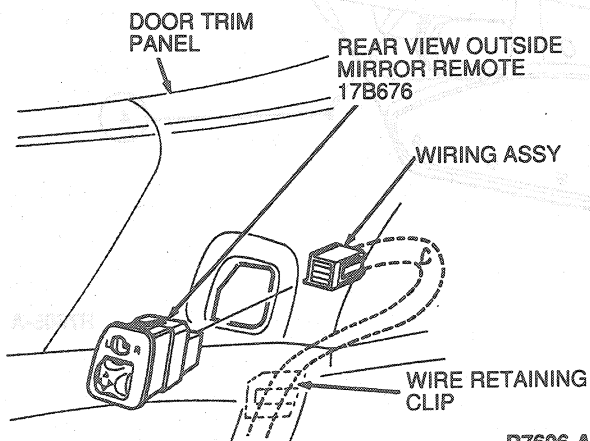
R7604-B

Item	Part Number	Description
1	—	Front Door Assy
2	17K709 (LH) 17D691 (RH)	Rear View Mirror Mounting Hole Cover
3	N800486-S58	Screw (1 Req'd Each Side)
4	N805621-S58	Screw and Washer Assembly (1 Req'd Each Side)

(Continued)

Item	Part Number	Description
5	23942 / 43	Front Door Trim Panel Assy
6	14B132 (RH) 14B133 (LH)	Switch and Housing Assy
7	N802900-S	Push Pin (14 Req'd Each Side)
8	18K870	Radio Identification Decal
9	N805621-S58	Screw and Washer Assy (1 Req'd Each Door)

Mirror, Rear View Switch



R7606-A