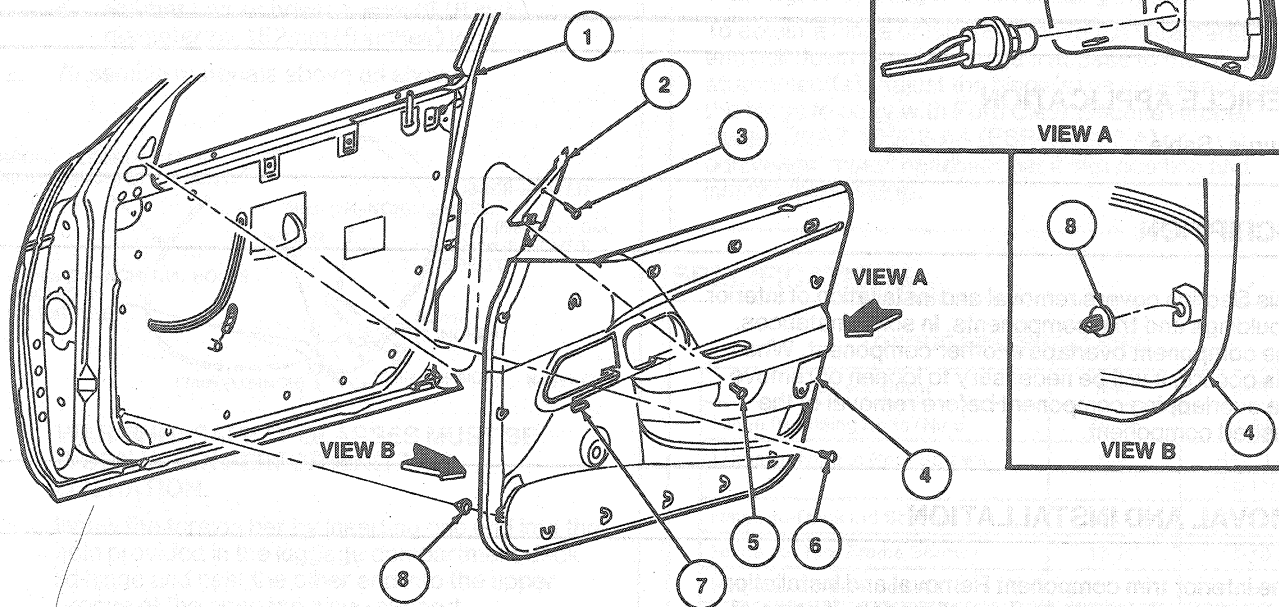


REMOVAL AND INSTALLATION (Continued)

3. Remove housing and switch assembly (power window or power window / door lock retaining screws).
4. Remove wiring connector screw from switch assembly.
5. Remove all screws retaining door trim panel to door. Using Trim Pad Removing Tool from Rotunda Moulding / Trim Kit 107-00401 or equivalent, pry trim panel retaining push pins from door inner panel.
6. Disconnect all door wiring.
7. If trim panel is to be replaced, transfer all push pins, window or window and door lock switch housing assembly, express window module and power mirror switch to new panel. Replace any bent, damaged or missing push pins.
8. To install, reverse Removal procedure.

Door, Front

Low Series



R7597-B

Item	Part Number	Description
1	—	Front Door Assy
2	17K709 (LH) 17D691 (RH)	Rear View Mirror Mounting Hole Cover
3	N800486-S58	Screw (1 Req'd Each Side)
4	23942/43	Front Door Trim
5	N805621-S58	Screw and Washer Assy (1 Req'd Each Side)
6	55929-S9	Screw and Washer Assy (1 Req'd Each Side)
7	18K870	Radio Identification Decal
8	N802900-S	Push Pin (14 Req'd Each Side)