

SECTION 01-05 Trim, Interior

SUBJECT	PAGE	SUBJECT	PAGE
DESCRIPTION	01-05-1	REMOVAL AND INSTALLATION (Cont'd.)	
REMOVAL AND INSTALLATION		Trim Panel, Luggage Compartment	01-05-14
Auxiliary Visor Assembly	01-05-18	Trim Panel, Package Tray	01-05-23
Carpets and Floor Mats	01-05-21	Trim Panel, Quarter	01-05-7
End Cap Replacement, Roll-Up Type	01-05-25	Trim Panel, Roof Side Rear	01-05-7
Finish Panel, Upper Rear Corner	01-05-16	Trim Panels, Cowl Side	01-05-6
Headlining	01-05-19	Trim Panels, Door	01-05-1
Luggage Cover	01-05-24	Trim Panels, Scuff Plate/Lower Body Center Pillar	01-05-5
Moulding, A-Pillar	01-05-15	SPECIAL SERVICE TOOLS	01-05-26
Sun Visor—With Lamp	01-05-17	SPECIFICATIONS	01-05-26
Sun Visors	01-05-17	VEHICLE APPLICATION	01-05-1
Trim Panel, Liftgate	01-05-13		
Trim Panel, Lower Rear Corner, LH	01-05-12		

VEHICLE APPLICATION

Taurus/Sable.

DESCRIPTION

This Section covers removal and installation of interior mouldings and trim components. In some instances, one component overlaps another component. When this occurs, it will be necessary to loosen or remove the overlapping component before removal of the desired component.

REMOVAL AND INSTALLATION

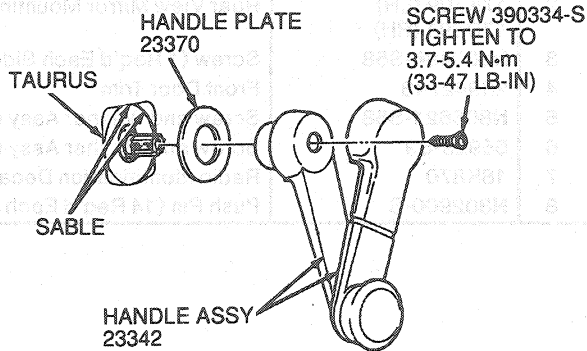
The interior trim component Removal and Installation procedures generally apply to all models. If some of the Steps do not apply to the particular model being serviced, proceed to the next Step.

Trim Panels, Door

Removal and Installation

Tools Required:

- Rotunda Moulding / Trim Kit 107-00401
- 1. Remove window regulator handle by unsnapping handle cover from base to expose retaining screw. Remove screw, handle and wearplate (manual windows).



R4348-C

- 2. Remove outside rear view mirror mounting hole cover retaining screw and cover (front door only).