

REMOVAL AND INSTALLATION (Continued)

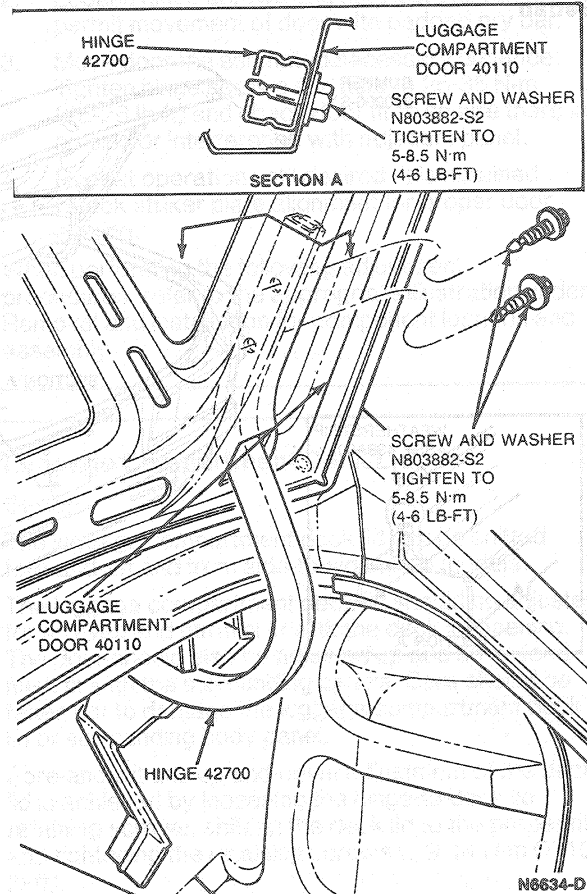
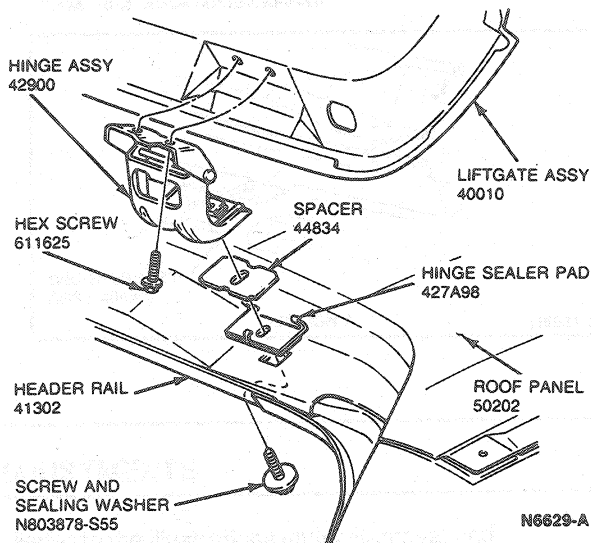
Hinge, Liftgate

Removal

1. Open liftgate assembly.
2. Remove weatherstrip along top of liftgate opening and remove headlining covering retaining screw.
3. Support liftgate in an open position and remove support cylinder as outlined.
4. Remove hinge-to-roof frame retaining screw and washer assembly.
5. Remove hinge-to-liftgate retaining bolts, and remove hinge assembly from liftgate.

Installation

1. To install, reverse Steps 1 through 5. Seal the hinge to body with Ford Clear Silicone Rubber Sealer D6AZ-19562-AA (ESB-M4G92-A) or equivalent.
2. Tighten the hinge-to-roof frame screw and washer assembly to 17-27 N·m (13-19 lb-ft).
3. Tighten the hinge-to-liftgate screws to 7-11 N·m (5-8 lb-ft).



Liftgate

Removal and Installation

Before removing hinge-to-roof frame attachments at both hinges, scribe the location of each hinge on roof frame.

Remove hinge-to-roof frame screw and washer assembly at each hinge as outlined. Remove liftgate from vehicle.

To install, position hinges to scribe marks on roof frame and reverse the removal procedure. Tighten hinge-to-roof frame screw and washer assemblies to 5-7 N·m (45-61 lb-in).

NOTE: Liftgate removal and installation is a two-man operation.

Luggage Compartment Deck Lid

Removal and Installation

1. Remove four hinge-to-deck lid screws and remove deck lid.
NOTE: Removal of the deck lid is a two-person operation.
2. To install, position deck lid to hinges and install four hinge-to-deck lid retaining screws. Tighten to 5-8.5 N·m (4-6 lb-ft)
3. Adjust as outlined.

Luggage Compartment Deck Lid Weatherstrip

Weatherstrips are mechanically retained. No adhesive is required for retention.

NOTE: The weatherstrip may contain a stringy sealer which can stick to the flange when removed. The luggage compartment carpeting should be covered to protect it from contacting the sealer.