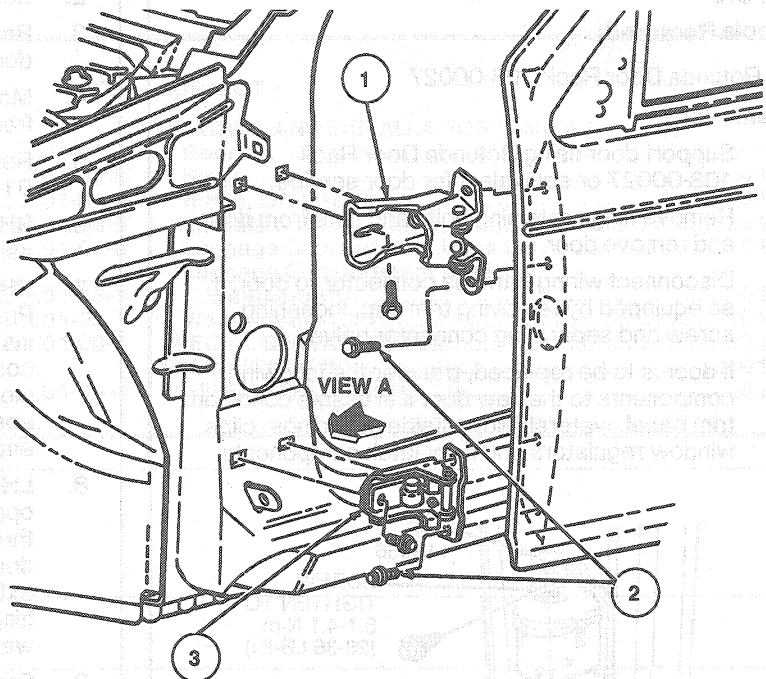
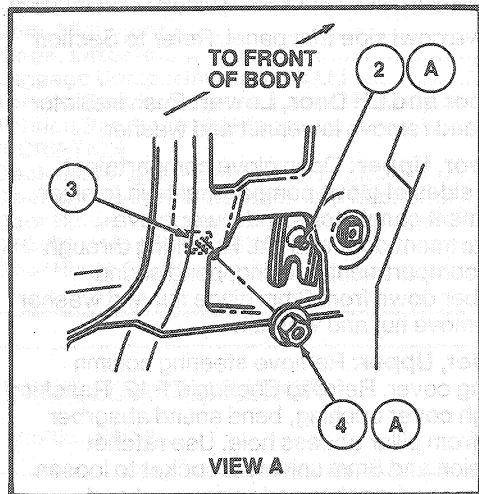


REMOVAL AND INSTALLATION (Continued)



N6617-F

Item	Part Number	Description
1	22800	Upper Hinge Assy
2A	N803417-S2	Screw (3 Req'd Per Hinge)
3	22806	Lower Hinge Assy
4A	N801193-S2	Nut
A		Tighten to 25-35 N·m (18-26 Lb·Ft)

Door, Rear**Tools Required:**

- Rotunda Door Rack 103-00027.

Removal

1. Remove scuff plate. Refer to Section 01-05.
2. Remove center pillar trim panel. Refer to Section 01-05.
3. Remove safety belt assembly. Refer to Section 01-20A.
4. Open door and support with Rotunda Door Rack 103-00027 or equivalent for door service.
5. Scribe hinge location to door.
6. Remove upper and lower hinge-to-door hinge retaining washer head bolts.
7. Remove upper and lower hinge-to-body retaining bolts.

8. Remove upper and lower hinge-to-body bolt and washer assemblies. Remove hinges.

Installation

1. Install upper and lower hinge-to-body retaining bolts. Tighten to 25-35 N·m (18-26 lb-ft).
2. Install upper and lower hinge-to-body retaining bolts. Tighten to 25-35 N·m (18-26 lb-ft).
3. Position door to hinges and install upper and lower retaining washer head bolts. Tighten to 25-35 N·m (18-26 lb-ft).
4. Install safety belt assembly. Refer to Section 01-20A.
5. Install center pillar trim panel. Refer to Section 01-05.
6. Install scuff plate. Refer to Section 01-05.