

REMOVAL AND INSTALLATION

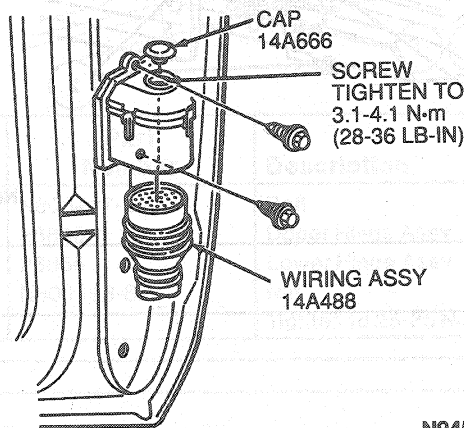
Doors

Tools Required:

- Rotunda Door Rack 103-00027

Removal

1. Support door using Rotunda Door Rack 103-00027 or equivalent for door service.
2. Remove hinge retaining bolts and nuts from door and remove door.
3. Disconnect wiring harness connector to door, if so equipped by removing trim cap, loosening screw and separating connector halves.
4. If door is to be replaced, transfer the following components to the new door if in usable condition: trim panel, watershield, outside mouldings, clips, window regulators and door latch components.



N9458-A

Installation

1. Position door hinges and partially tighten bolts.
2. Align door and tighten bolts to 25-35 N·m (18-26 lb-ft).
3. If disconnected, connect electrical connector. Tighten screw to 3.1-4.1 N·m (28-36 lb-in). Install trim cap.

Hinge

Door, Front

Removal

1. Open door and support it with Rotunda Door Rack 103-00027 or equivalent for door service.

2. Scribe hinge location to door.
3. Remove two washer head bolts retaining hinge to door.
4. Move door stand so that door is far enough away from body to allow access to hinge bolts on pillar.
5. Remove cowl side trim panel. Refer to Section 01-05.
6. **RH Door and LH Door, Lower:** Push insulator aside and remove lower nut and washer.
7. **RH Door, Upper:** Open glove compartment. Press sides of glove compartment bin to clear instrument panel stops and lower glove compartment door and bin. Reaching through glove compartment opening, bend sound absorber down from 8mm hinge nut and washer and remove nut and washer.
8. **LH Door, Upper:** Remove steering column opening cover. Refer to Section 01-12. Reaching through cover opening, bend sound absorber down from pillar access hole. Use ratchet extension and 8mm universal socket to loosen hinge nut and washer and remove nut and washer.
9. From outside vehicle, remove upper and lower hinge-to-body retaining screws. Remove hinges.
CAUTION: Take care not to damage painted surface when removing and installing hinge-to-body retaining screws.

Installation

1. Install upper and lower hinge-to-body retaining bolts. Tighten to 25-35 N·m (18-26 lb-ft).
2. Install upper and lower hinge nuts and washers. Tighten to 25-35 N·m (18-26 lb-ft). Install sound absorbers.
3. Position door to hinges and install four washer head screws retaining hinges to door. Tighten to 25-35 N·m (18-26 lb-ft).
4. **LH Door:** Install steering column opening cover. Refer to Section 01-12.
5. **RH Door:** Install glove compartment.
6. Install cowl side trim panel. Refer to Section 01-05.