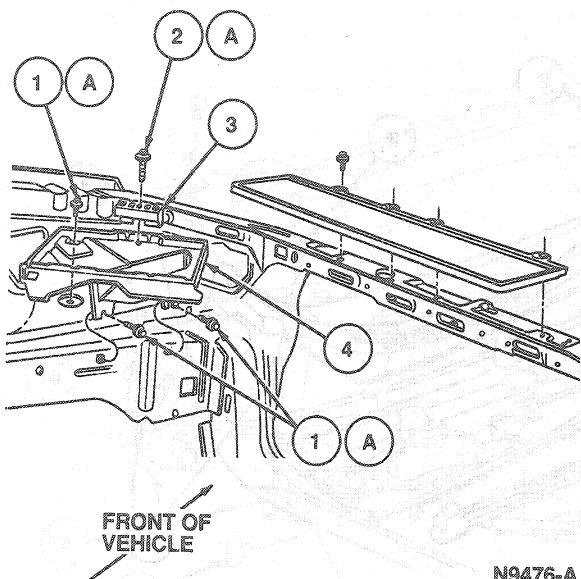


REMOVAL AND INSTALLATION (Continued)

Taurus/Sable

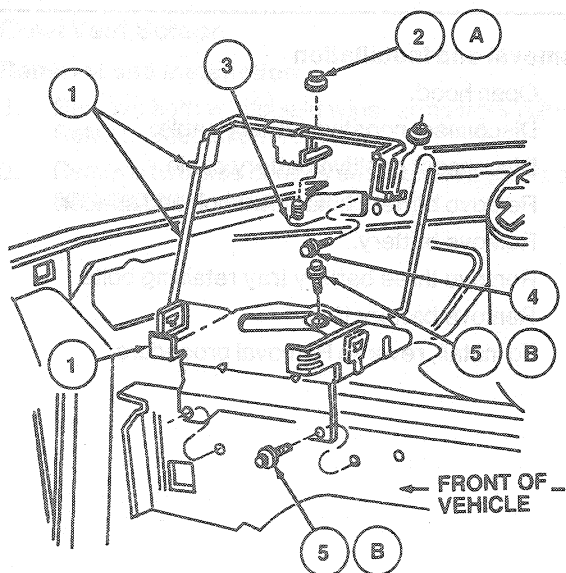


N9476-A

Item	Part Number	Description
1A	N800932-S55	Screw and Washer Assy (3 Req'd)
2A	N803471-S55	Screw and Washer Assy (1 Req'd)
3	10747	Battery Hold Down Spacer
4	10723	Battery Tray Assy
A		Tighten to 8-12 N-m (6-9 Lb-Ft)

TN9476A

SHO



N9611-A

Item	Part Number	Description
1	10723	Battery Tray Assy
2A	N620481-S2	Nut
3	10727	Battery Hold Down Clamp Brace
4	N803991-S2	Screw (2 Req'd)
5B	N800935-S36	Screw and Washer (3 Req'd)
A		Tighten to 10-16 N-m (7-12 Lb-Ft)
B		Tighten to 8-12 N-m (6-9 Lb-Ft)

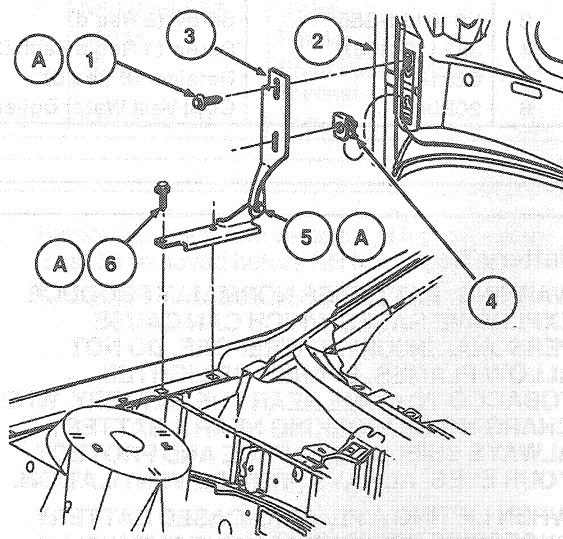
TN9611A

ADJUSTMENTS

Hood Alignment

The hood can be adjusted fore-and-aft and side-to-side by loosening two hood-to-hinge retaining bolts at each hinge. Reposition hood as required and tighten the hood-to-hinge retaining bolts. A 4.0m ± 1.5mm margin should be maintained between the hood and fenders.

To raise or lower the rear of the hood, loosen the hood hinge pivot nut. The pivot can now move up or down. Raise or lower hood as necessary to obtain a flush condition at the rear of the hood with the fenders. Tighten the hood hinge pivot nut to 22-34 N-m (17-25 lb-ft).



N6596-F

Item	Part Number	Description
1A	N606677-S36	Screw and Washer Assy (2 Req'd Each Hinge)
2	16612	Hood Assy
3	16800-1	Hood Hinge Assy

(Continued)