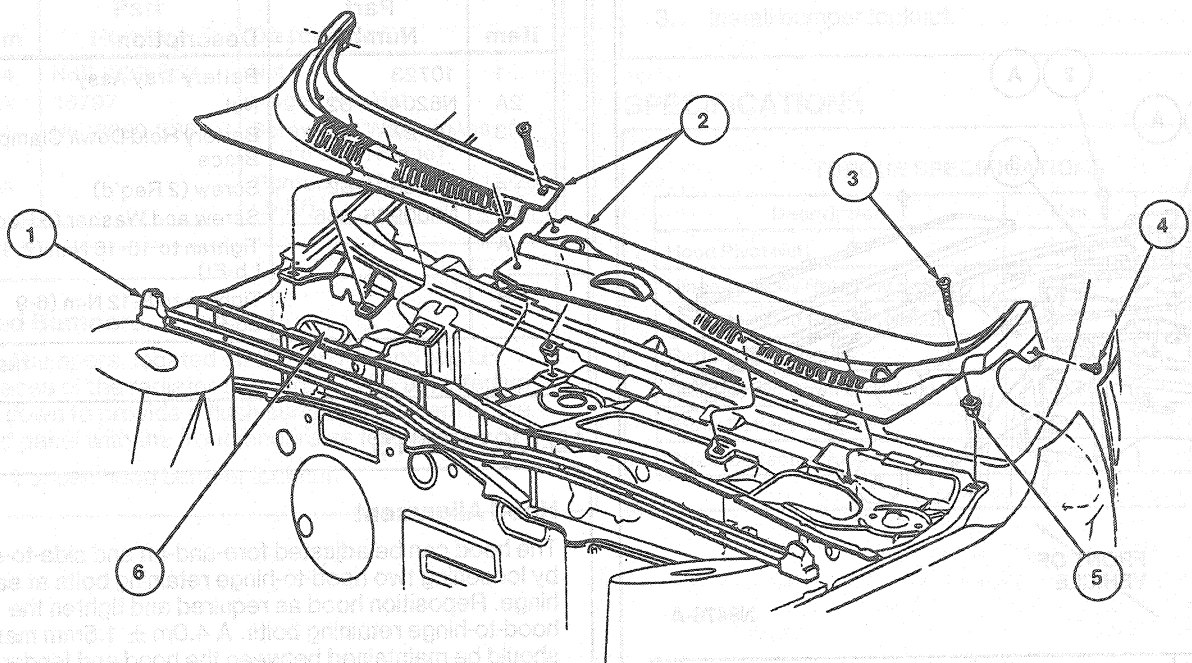


REMOVAL AND INSTALLATION (Continued)



N7048-C

Item	Part Number	Description
1	16A942	Pad Assy
2	018A14/5	Cowl Vent Screen Assy
3	N610131-S55	Screw (8 Req'd)
4	382413-S55X	Screw (1 Req'd Each Side)
5	02316-A	Retainer (8 Req'd)
6	20B02	Cowl Vent Water Deflector

TN7048C

Battery Tray

WARNING: BATTERIES NORMALLY PRODUCE EXPLOSIVE GASES WHICH CAN CAUSE PERSONAL INJURY. THEREFORE, DO NOT ALLOW FLAMES, SPARKS OR LIGHTED TOBACCO TO COME NEAR THE BATTERY. WHEN CHARGING OR WORKING NEAR A BATTERY, ALWAYS SHIELD YOUR FACE AND PROTECT YOUR EYES. ALWAYS PROVIDE VENTILATION.

WHEN LIFTING A PLASTIC-CASED BATTERY, EXCESSIVE PRESSURE ON THE END WALLS COULD CAUSE ACID TO SPEW THROUGH THE VENT CAPS, RESULTING IN PERSONAL INJURY. LIFT WITH A BATTERY CARRIER OR WITH YOUR HANDS ON OPPOSITE CORNERS.

Removal and Installation

1. Open hood.
2. Disconnect negative battery cable.
3. Disconnect positive battery cable.
4. Remove battery hold-down bolt and spacer.
5. Remove battery.
6. Remove three battery tray retaining bolts.
7. Remove battery tray.
8. To install, reverse Removal procedure.