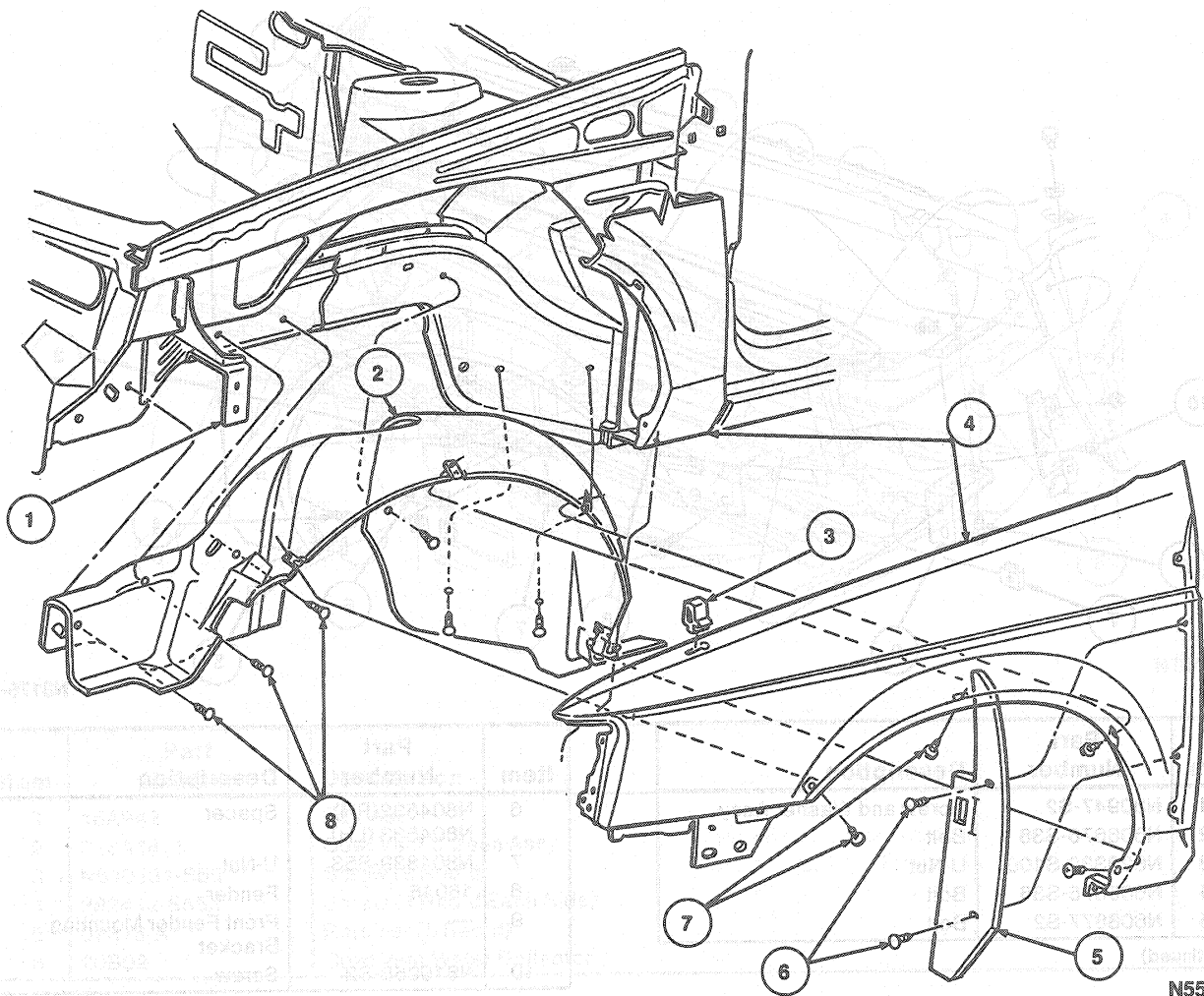


REMOVAL AND INSTALLATION (Continued)

REMOVAL AND INSTALLATION (Continued)



N5509-D

Item	Part Number	Description
1	—	Bracket
2	16034	Shield Assy
3	N802726-S	Bumper

(Continued)

Item	Part Number	Description
4	16006	Front Fender
5	6E560	Insulator
6	388577-S	Push Pin
7	56912-S55X	Screw (4 Req'd Each Side)
8	N802781-S	Pin (6 Req'd Each Side)

Fender, Front**Removal and Installation**

1. Remove the front bumper. Refer to Section 01-19.
2. Remove two screws retaining grille opening reinforcement panel to fender.
3. Remove one screw retaining upper front fender mounting bracket to fender.
4. Remove one screw retaining front fender mounting bracket to fender.

5. Remove two screws retaining lower rear fender to body side.
6. Remove two bolts retaining upper and lower front fender (rear).
7. Remove three retaining bolts from "catwalk" area of fender to apron. Remove fender.
8. To install, reverse Removal procedure.