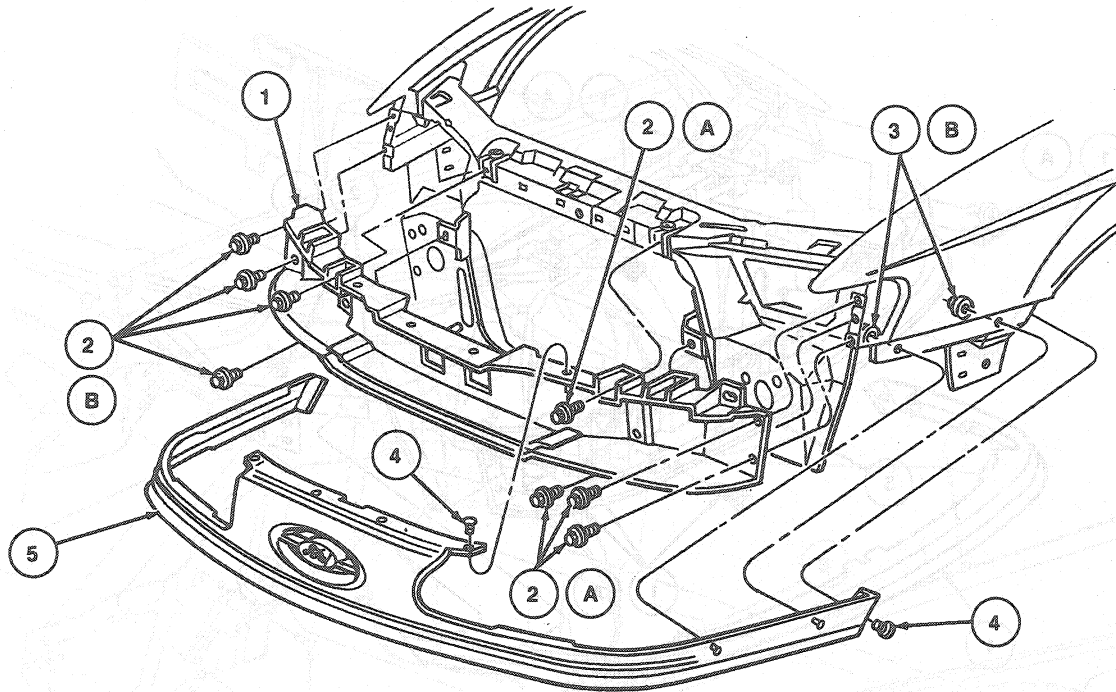


REMOVAL AND INSTALLATION (Continued)

(Continued)



N9625-A

Item	Part Number	Description
1	8A164	Grille Opening Panel Reinforcement
2A	N606676-S55	Screw and Washer Assy (8 Req'd)
3B	N621906-S36	Nut and Washer Assy (2 Req'd Each Side)
4	388577-S	Push Pin (1 Req'd Each Side)

Item	Part Number	Description
5	17A878	Front Bumper Stone Deflector Assy
A		Tighten to 5.3-7.1 N·m (4-5 Lb·Ft)
B		Tighten to 4.5-6.9 N·m (3-5 Lb·Ft)

TN9625A

(Continued)

**Sable**

**Removal and Installation**

1. Remove two push pins (one each side) retaining deflector to front fenders.
2. Fold back front half of RH and LH fender splash shield.

3. Remove four nuts (two each side) retaining stone deflector ends to front fender.
4. Remove stone deflector.
5. To install, reverse Removal procedure.