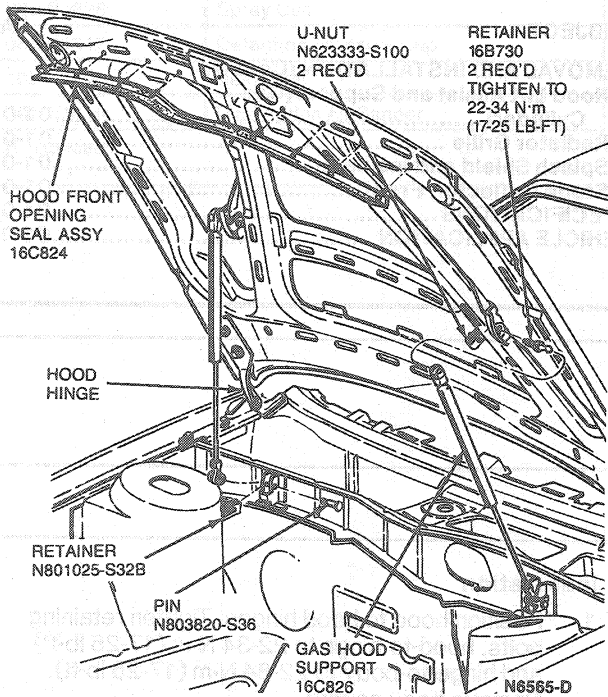


**REMOVAL AND INSTALLATION (Continued)**

4. Remove temporary support and close hood.



**Radiator Grille**

**Taurus**

Taurus does not have a conventional grille. It is part of the front stone deflector.

**Sable**

Sable vehicles do not have a conventional grille, they have a lighted panel. Refer to Section 17-01 for headlamp information.

**Stone Deflector, Front**

**Taurus**

**Removal and Installation**

1. Remove four push pins retaining stone deflector to grille opening reinforcement panel.
2. Fold back front half of RH and LH fender splash shields.
3. Remove four nuts (two each side) attaching deflector to fender.
4. Remove stone deflector.
5. To install, reverse Removal procedure.