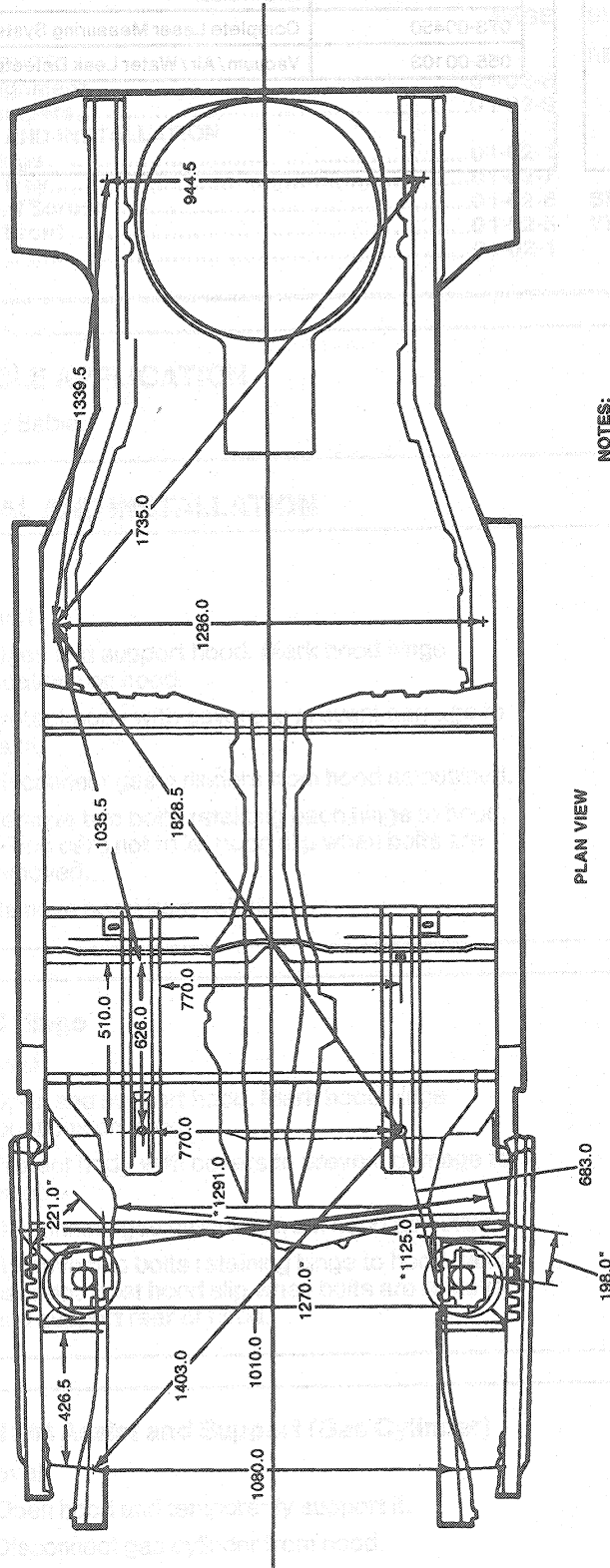
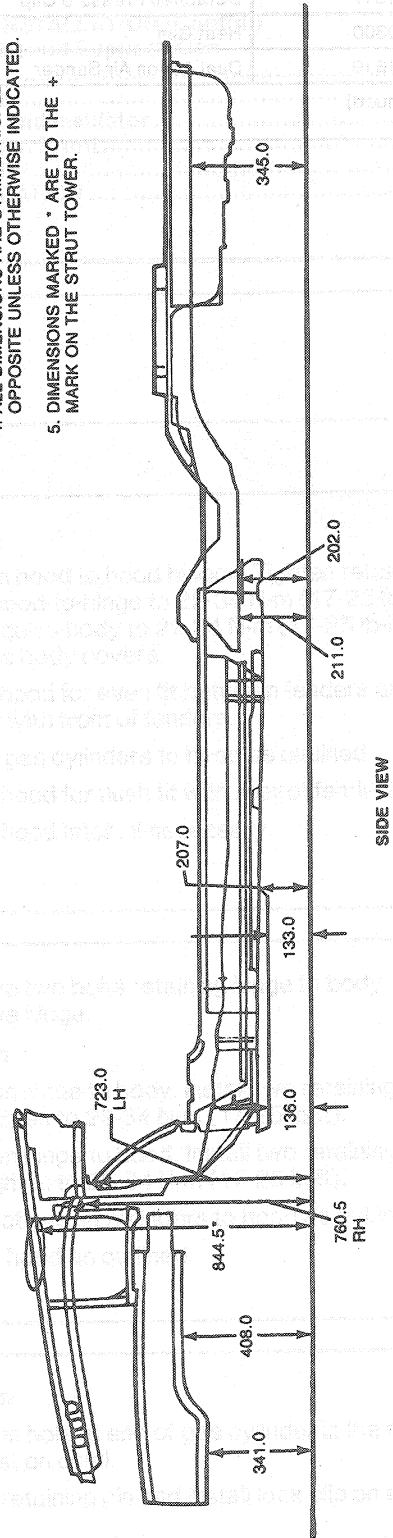


ADJUSTMENTS (Continued)

Underbody Dimensions



PLAN VIEW



SIDE VIEW

- NOTES:
1. ALL DIMENSIONS ARE IN mm.
 2. TOLERANCE IS ± 3 mm.
 3. ALL DIMENSIONS ARE TRUE TO LENGTH, CENTER TO CENTER.
 4. ALL DIMENSIONS ARE SYMMETRICALLY OPPOSITE UNLESS OTHERWISE INDICATED.
 5. DIMENSIONS MARKED * ARE TO THE + MARK ON THE STRUT TOWER.