

SECTION 01-12 Instrument Panel and Console

SUBJECT	PAGE	SUBJECT	PAGE
DISASSEMBLY AND ASSEMBLY	01-12-17	REMOVAL AND INSTALLATION (Cont'd.)	
PARTS REPLACEMENT		Instrument Panel	01-12-2
Air Bag System	01-12-2	SERVICE PRECAUTIONS	
Steering Column	01-12-2	Deployed Air Bags	01-12-1
REMOVAL AND INSTALLATION		General Instructions	01-12-1
Cluster Finish Panel	01-12-12	Live Air Bags	01-12-1
Console Armrest	01-12-16	SPECIFICATIONS	01-12-24
Console Assembly, Floor	01-12-15	VEHICLE APPLICATION	01-12-1
Console Assembly, Roof	01-12-16		

VEHICLE APPLICATION

Taurus/Sable.

SERVICE PRECAUTIONS

WARNING: SAFE HANDLING OF AIR BAG MODULES REQUIRES FOLLOWING THE PROCEDURES DESCRIBED BELOW FOR BOTH LIVE AND DEPLOYED AIR BAGS.

ALWAYS WEAR SAFETY GLASSES WHEN SERVICING AN AIR BAG VEHICLE, AND WHEN HANDLING AN AIR BAG.

Live Air Bags

- WHEN CARRYING A LIVE AIR BAG, MAKE SURE THE BAG AND TRIM COVER ARE POINTED AWAY FROM YOUR BODY. IN THE UNLIKELY EVENT OF AN ACCIDENTAL DEPLOYMENT, THE BAG WILL THEN DEPLOY WITH MINIMAL CHANCE OF INJURY.

- IN ADDITION, WHEN PLACING A LIVE AIR BAG ON A BENCH OR OTHER SURFACES, ALWAYS FACE THE BAG AND TRIM COVER UP, AWAY FROM THE SURFACE. THIS WILL REDUCE THE MOTION OF THE MODULE IF IT IS ACCIDENTALLY DEPLOYED.

Deployed Air Bags

SAFETY PRECAUTIONS MUST ALSO BE OBSERVED WHEN HANDLING A DEPLOYED AIR BAG.

- ALWAYS WEAR GLOVES AND SAFETY GLASSES WHEN HANDLING A DEPLOYED AIR BAG.

- AFTER DEPLOYMENT, THE AIR BAG SURFACE MAY CONTAIN DEPOSITS OF SODIUM HYDROXIDE, A PRODUCT OF THE GAS GENERANT COMBUSTION THAT IS IRRITATING TO THE SKIN.
- WASH YOUR HANDS WITH MILD SOAP AND WATER AFTERWARDS.

General Instructions

- AIR BAG MODULES WITH DISCOLORED OR DAMAGED COVER DEPLOYMENT DOORS MUST BE REPLACED, NOT REPAINTED.
- BECAUSE OF THE CRITICAL OPERATING REQUIREMENTS OF THE SYSTEM, DO NOT ATTEMPT TO SERVICE SENSOR, CLOCKSPRING, MONITOR BACKUP POWER SUPPLY OR AIR BAG MODULE. SERVICE IS MADE BY REPLACEMENT ONLY.

- IF EVER A PART IS REPLACED AND THE NEW PART DID NOT CORRECT THE CONDITION, REINSTALL THE ORIGINAL PART AND PERFORM THE DIAGNOSTIC PROCEDURE AGAIN.
- NEVER PROBE THE CONNECTIONS ON THE AIR BAG. DOING SO MAY RESULT IN AIR BAG DEPLOYMENT WHICH COULD RESULT IN PERSONAL INJURY.

SERVICE PRECAUTIONS (Continued)

- ALL COMPONENT REPLACEMENTS AND WIRING SERVICE MUST BE MADE WITH THE POSITIVE BATTERY DISCONNECTED FOR A MINIMUM OF ONE MINUTE BEFORE SERVICE OR REPLACEMENT IS ATTEMPTED.
- THE INSTRUCTION "DISCONNECT" ALWAYS REFERS TO A CONNECTOR. NEVER DETACH A COMPONENT FROM THE VEHICLE WHEN INSTRUCTED TO "DISCONNECT".
- VEHICLE SENSOR ORIENTATION IS CRITICAL FOR PROPER SYSTEM OPERATION. IF A VEHICLE EQUIPPED WITH AN AIR BAG SYSTEM IS INVOLVED IN A CRASH WHERE THE FENDERS OR GRILLE AREA HAVE BEEN DAMAGED, INSPECT THE SENSOR MOUNTING BRACKETS FOR DEFORMATION. IF DAMAGED, THE SENSOR SHOULD BE REPLACED WHETHER OR NOT THE AIR BAG IS DEPLOYED. IN ADDITION, ENSURE THAT BODY STRUCTURE IN THE AREA OF SENSOR MOUNTING IS RESTORED TO ITS ORIGINAL CONDITION.

After all service, verify the air bag indicator. This means turn the ignition switch to RUN and count the flashes only after the code (series of flashes) has cycled twice. If the air bag indicator comes on continuously for 4 to 8 seconds and then goes out, the system is functioning properly and all faults have been serviced.

Air Bag System

Prior to attempting diagnostic prove-out on a serviced vehicle, thoroughly check all sensors and wiring for damage and pinch condition which may cause the diagnostic module internal fuse to blow.

REMOVAL AND INSTALLATION

Instrument Panel

NOTE: Removal and installation of the instrument panel is best accomplished by two people.

Refer to Section 18-01, Wiring and Circuit Protection for routing and connection locations.

Removal and Installation

1. Position front wheels in the straight ahead position.
2. Disconnect positive battery cable.
3. Remove radio and cluster finish panel as outlined.
4. Disconnect all electrical connections from steering column switches.

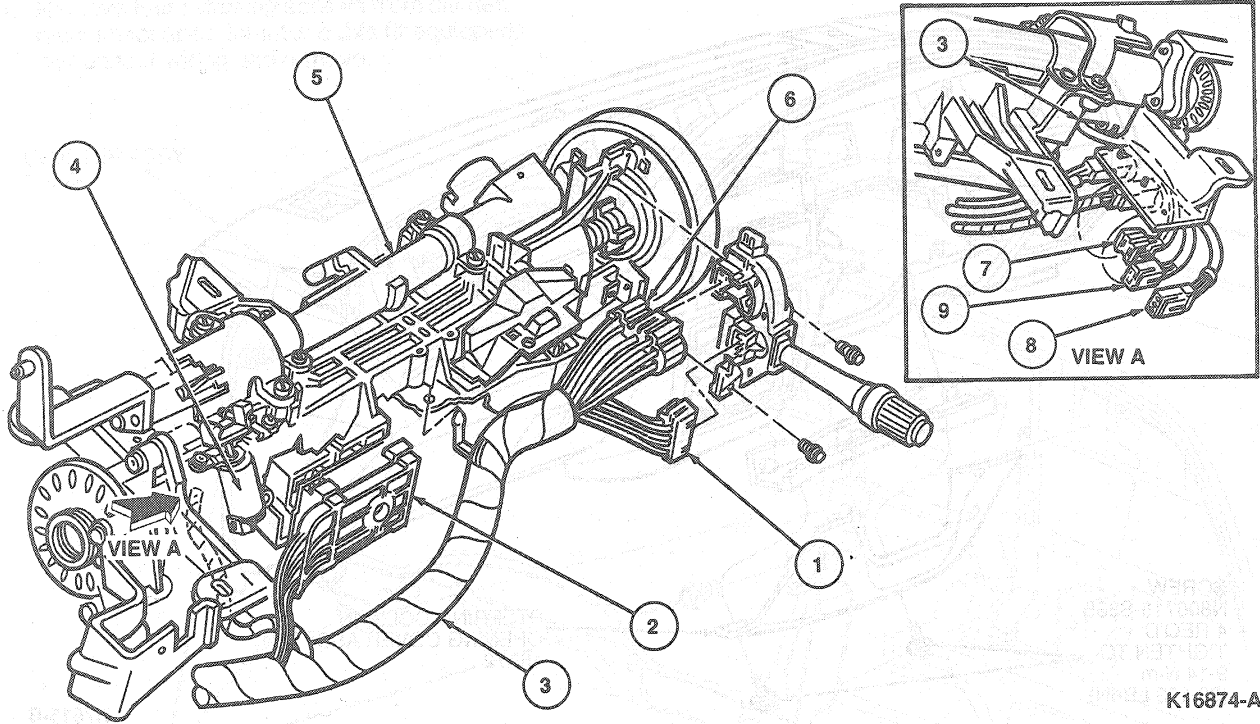
PARTS REPLACEMENT

Steering Column

if the accident involved an air bag deployment, the steering column may have been loaded sufficiently to deform steering column mounting brackets or damage column wiring. An inspection should be made of the column structure and clockspring wiring to ensure that any damaged components are replaced. Refer to Section 11-04.

REMOVAL AND INSTALLATION (Continued)

REMOVAL AND INSTALLATION (Continued)



K16874-A

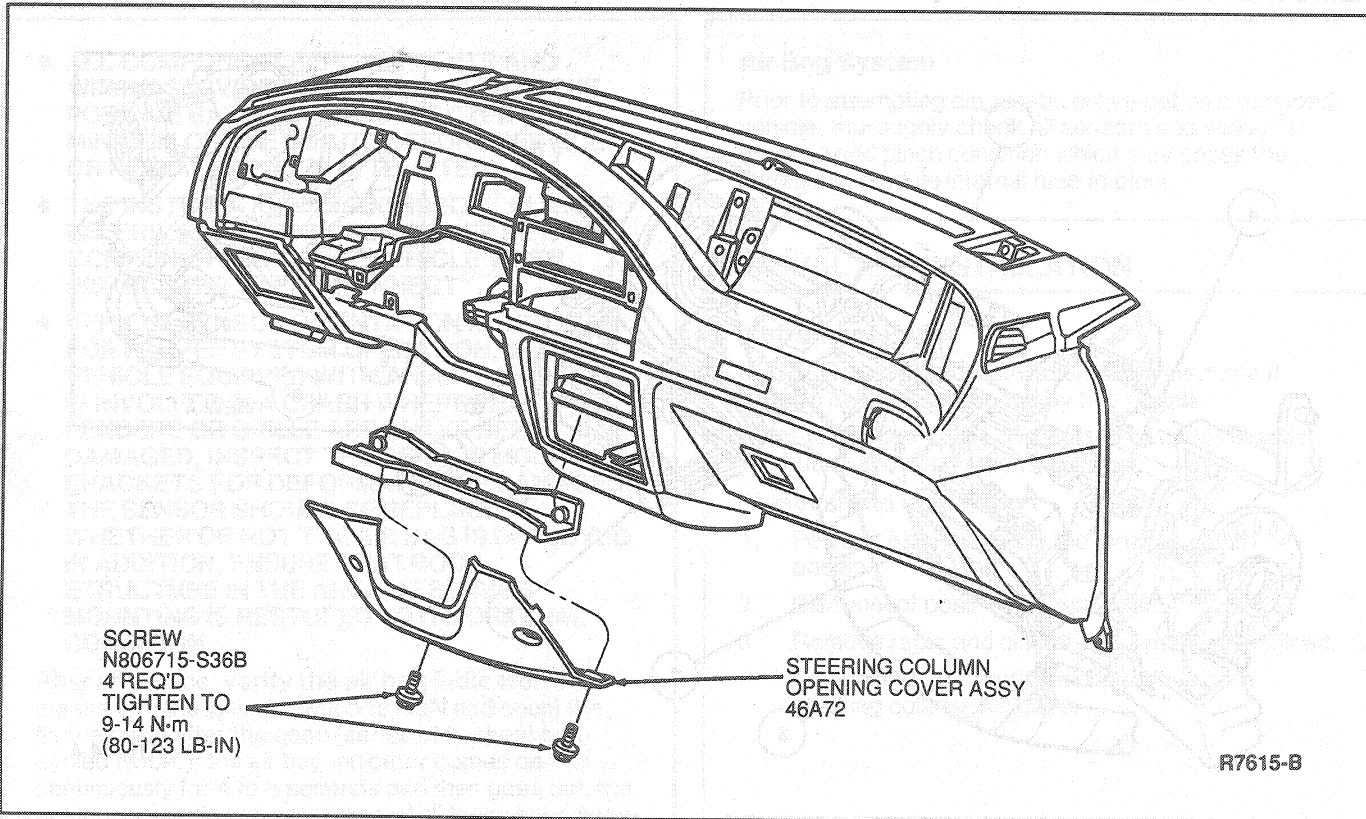
Item	Part Number	Description
1	—	To Headlamp Dimmer and Windshield Wiper Switch
2	—	To Ignition Switch
3	14401	Wire Assy
4	—	Brake Interlock Solenoid

(Continued)

Item	Part Number	Description
5	3C529	Steering Column
6	—	To Turn Signal Switch
7	—	To Horn Switch
8	—	To Brake Interlock Solenoid
9	—	To Steering Column Air Bag Slip Ring

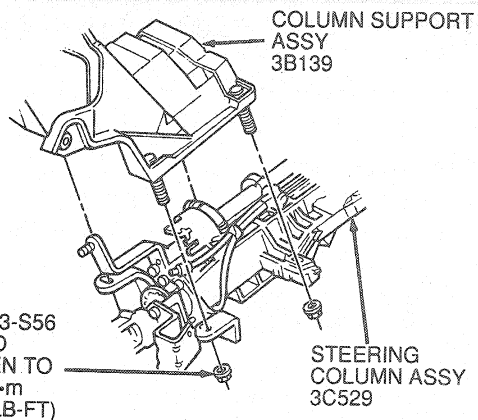
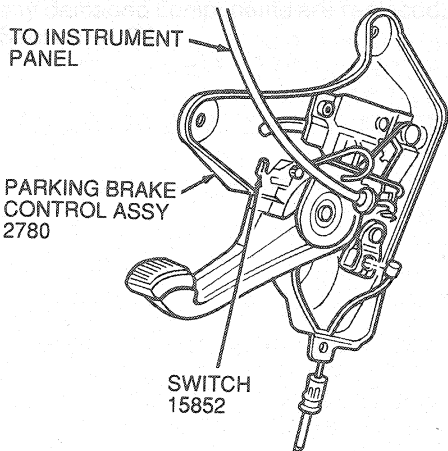
REMOVAL AND INSTALLATION (Continued)

REMOVAL AND INSTALLATION (Continued)



5. Remove two bolts and reinforcement from under steering column.
6. Disengage insulator retainer and remove insulator.
7. Remove four nuts and absorber assembly from under steering column.
8. Disconnect park brake release cable from park brake and ignition switch wiring connector.

9. Remove four nuts retaining steering column to support, disconnect PRNDL cable (column shift) and lower column on front seat. Cover front seat to protect from damage.



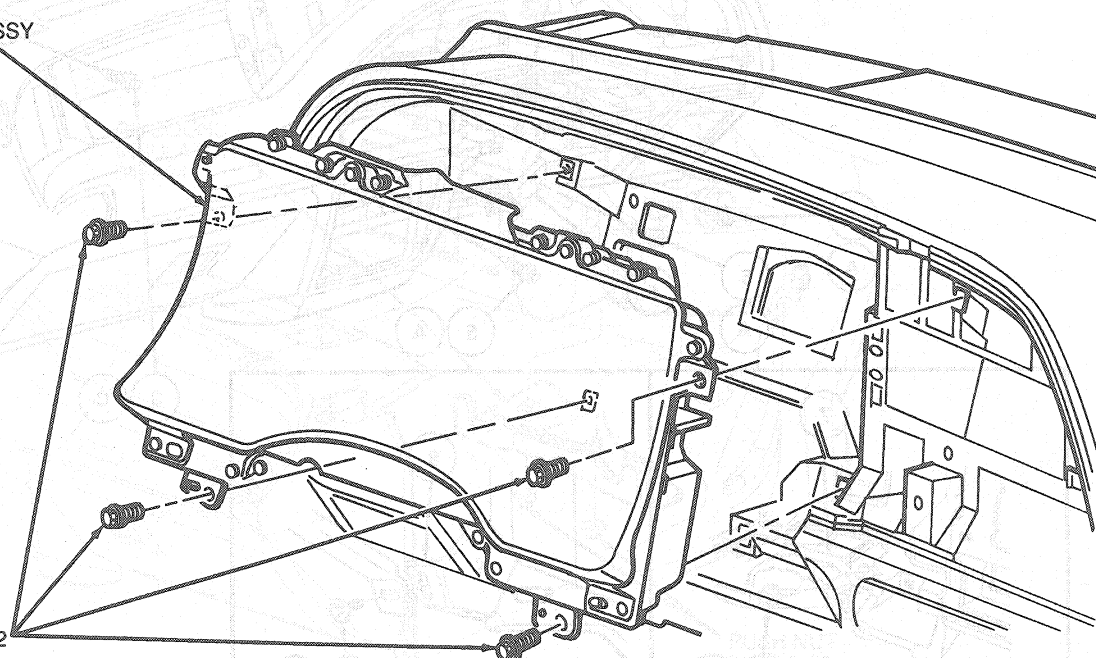
10. Install lock cylinder to ensure that steering column shaft does not turn.

REMOVAL AND INSTALLATION (Continued)

11. Remove four retaining screws from cluster, disconnect speedometer cable (if equipped), disconnect wiring and remove.

CLUSTER ASSY
10849

SCREW
N803876-S2
4 REQ'D



K16875-A

12. Remove one bolt at steering column opening attaching instrument panel to brace.

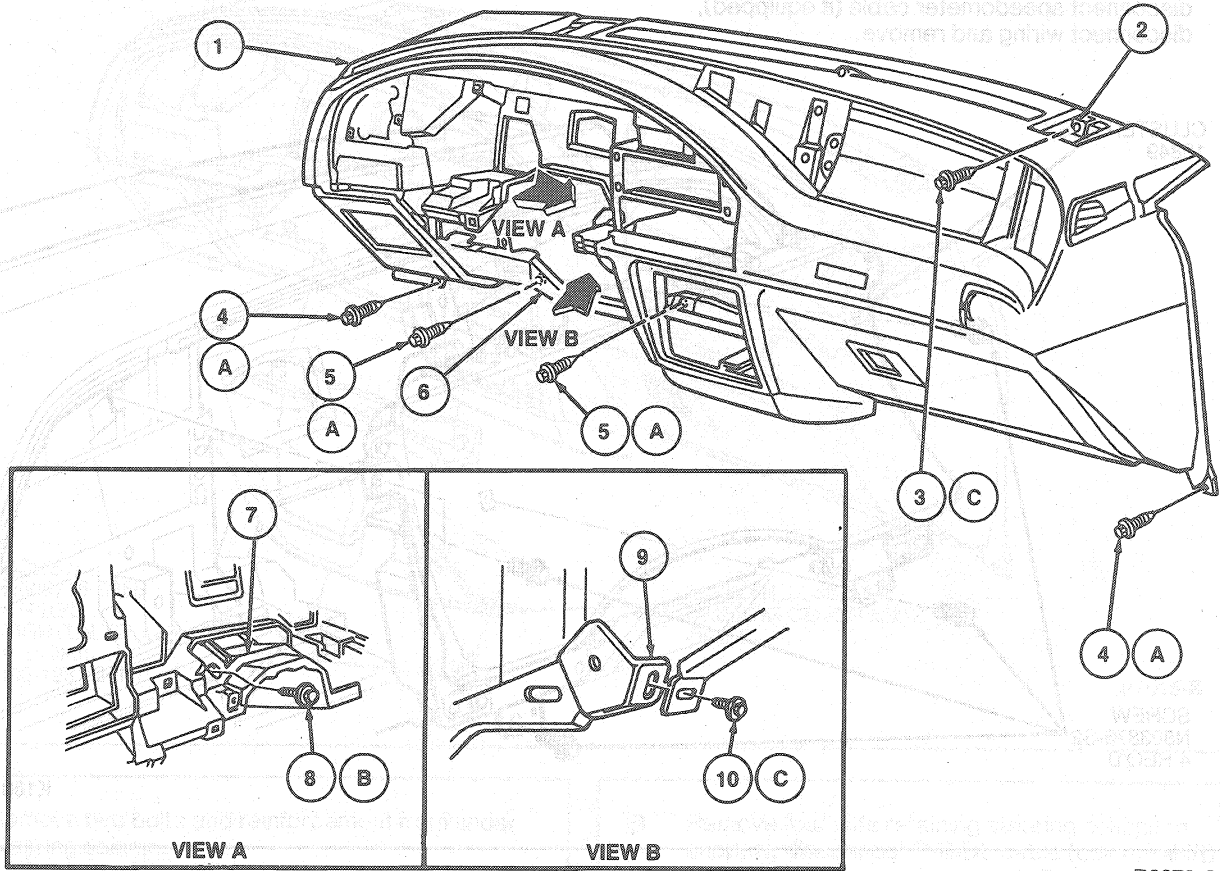
Item Number	Description
1	Instrument Panel Assy
2	Instrument Panel Brace
3	Instrument Panel Bolt (Steering Column)
4	Instrument Panel Nut (Steering Column)
5	Instrument Panel Washer (Steering Column)
6	Instrument Panel Bolt (Radio Area)
7	Instrument Panel Nut (Radio Area)
8	Instrument Panel Washer (Radio Area)
9	Instrument Panel Bolt (Steering Column)
10	Instrument Panel Nut (Steering Column)
11	Instrument Panel Washer (Steering Column)
12	Instrument Panel Bolt (Radio Area)
13	Instrument Panel Nut (Radio Area)
14	Instrument Panel Washer (Radio Area)
15	Instrument Panel Bolt (Steering Column)
16	Instrument Panel Nut (Steering Column)
17	Instrument Panel Washer (Steering Column)
18	Instrument Panel Bolt (Radio Area)
19	Instrument Panel Nut (Radio Area)
20	Instrument Panel Washer (Radio Area)

13. Remove one instrument panel brace retaining bolt (under the radio area).

Item Number	Description
1	Instrument Panel Assy
2	Instrument Panel Brace
3	Instrument Panel Bolt (Steering Column)
4	Instrument Panel Nut (Steering Column)
5	Instrument Panel Washer (Steering Column)
6	Instrument Panel Bolt (Radio Area)
7	Instrument Panel Nut (Radio Area)
8	Instrument Panel Washer (Radio Area)
9	Instrument Panel Bolt (Steering Column)
10	Instrument Panel Nut (Steering Column)
11	Instrument Panel Washer (Steering Column)
12	Instrument Panel Bolt (Radio Area)
13	Instrument Panel Nut (Radio Area)
14	Instrument Panel Washer (Radio Area)
15	Instrument Panel Bolt (Steering Column)
16	Instrument Panel Nut (Steering Column)
17	Instrument Panel Washer (Steering Column)
18	Instrument Panel Bolt (Radio Area)
19	Instrument Panel Nut (Radio Area)
20	Instrument Panel Washer (Radio Area)

REMOVAL AND INSTALLATION (Continued)

REMOVAL AND INSTALLATION (Continued)



R6378-C

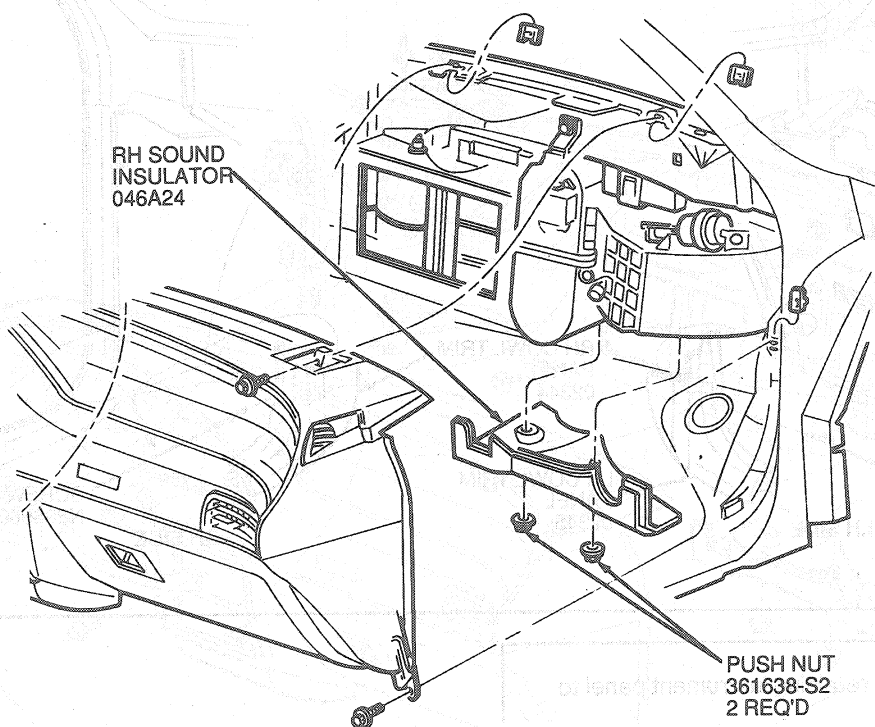
Item	Part Number	Description
1	4304	Instrument Panel Assy
2	N806886-S100	Nut (3 Req'd)
3C	N807391-S411	Screw and Washer (3 Req'd)
4A	N807391-S411	Screw and Washer (1 Req'd Each Side)
5A	N606678-S36B	Bolt (2 Req'd)
6	—	Reinforcement
7	—	Steering Column Support Bracket

Item	Part Number	Description
8B	N606689-S58	Bolt (1 Req'd)
9	44F48	Brace Assy
10C	N800346-S58	Bolt (1 Req'd)
A		Tighten to 9-14 N·m (80-123 Lb·In)
B		Tighten to 17-27 N·m (13-19 Lb·Ft)
C		Tighten to 7-11 N·m (62-97 Lb·In)

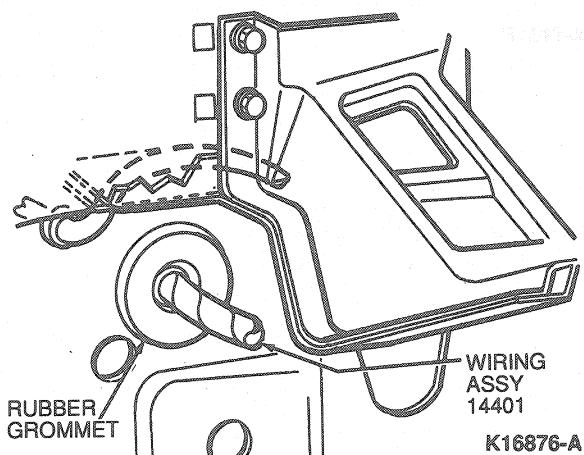
(Continued)

REMOVAL AND INSTALLATION (Continued)

14. Remove sound insulator under glove compartment by removing two pushnuts that secure insulator to studs on climate control case.



15. Remove three screws attaching glove compartment assembly to instrument panel and remove door assembly.
16. Remove air cleaner, battery and battery tray.
17. Disconnect wires of main wire loom in engine compartment. Disengage rubber grommet from dash panel then feed wiring through hole in dash panel into passenger compartment.



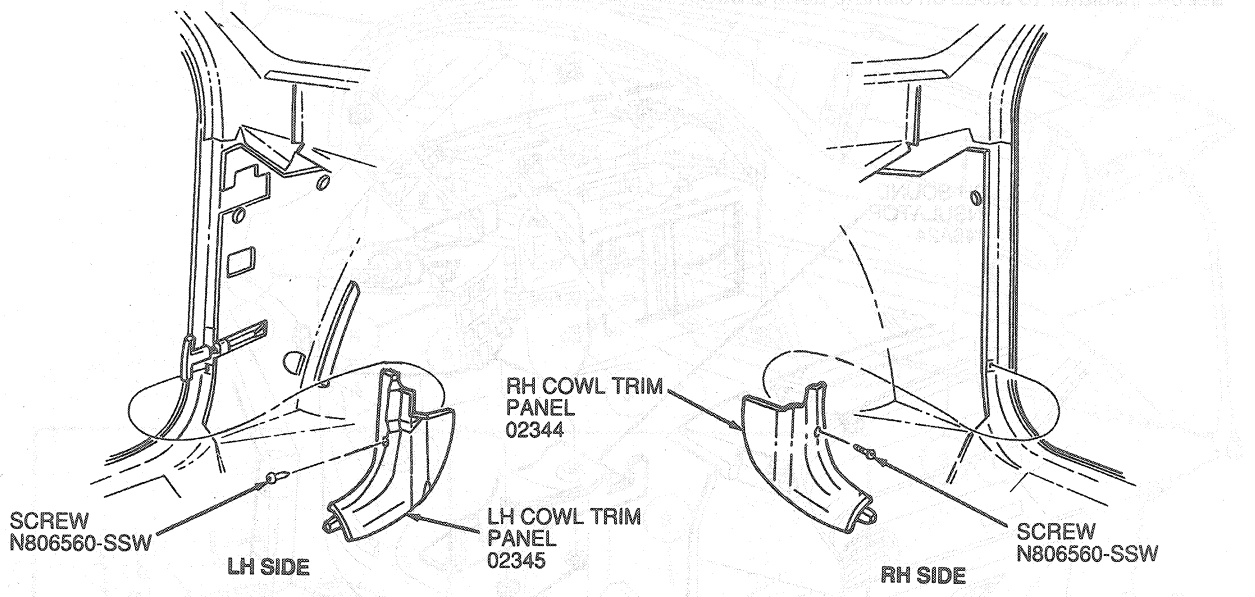
18. Remove RH and LH cowl side trim panels.

REMOVAL AND INSTALLATION (Continued)

REMOVAL AND INSTALLATION (Continued)

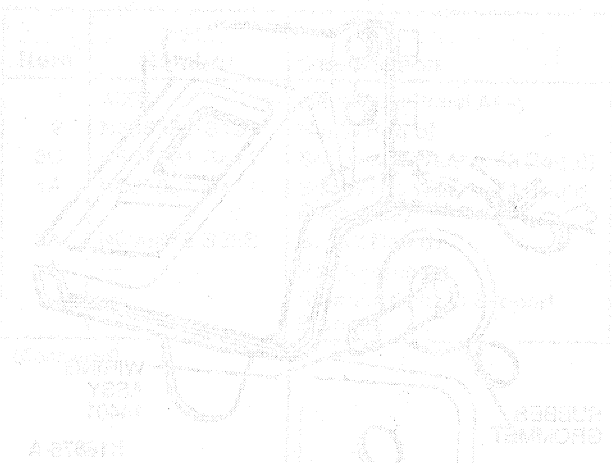
19. Disconnect wires from instrument panel at RH and LH cowl sides.

Remove screws retaining under glove compartment by removing two Phillips flat screws from the instrument panel. Disconnect wires from instrument panel at RH and LH cowl sides.



R6380-B

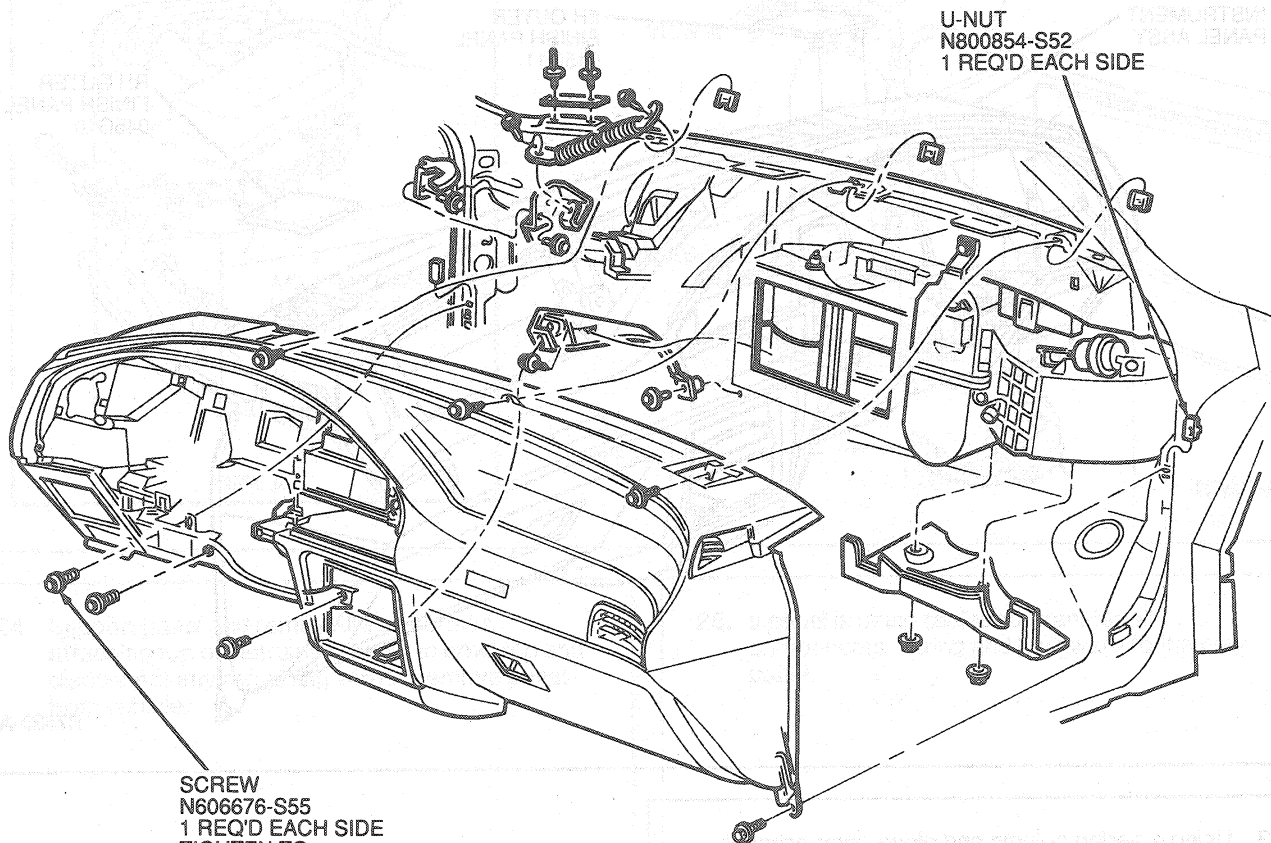
20. Remove one screw retaining instrument panel to LH side.



1. Remove the screws retaining the instrument panel to the LH side of the vehicle. Disconnect the wires from the instrument panel. Remove the instrument panel and battery pack. Disconnect the wires from the instrument panel. Disconnect the rubber grommet from the instrument panel. Disconnect the instrument panel from the dashboard. Disconnect the instrument panel from the dashboard. Disconnect the instrument panel from the dashboard. Disconnect the instrument panel from the dashboard.

REMOVAL AND INSTALLATION (Continued)

21. Remove one screw retaining instrument panel to RH side.



U-NUT
N800854-S52
1 REQ'D EACH SIDE

SCREW
N606676-S55
1 REQ'D EACH SIDE
TIGHTEN TO
9-14 N·m
(80-123 LB-IN)

R7617-A

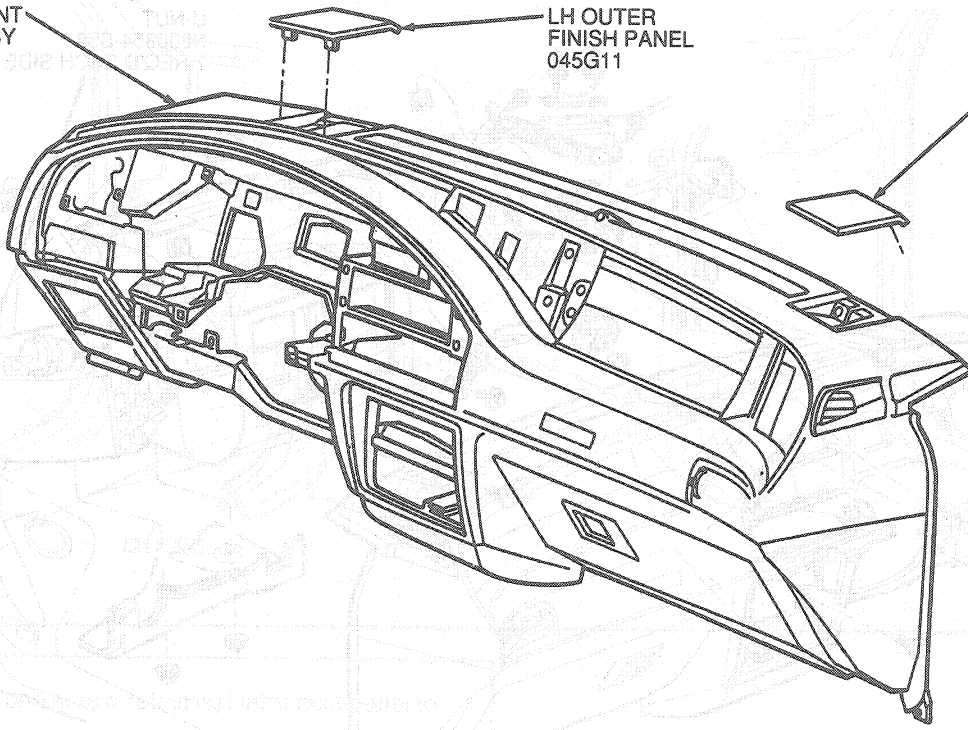
REMOVAL AND INSTALLATION (Continued)

22. Pull up to unsnap RH and LH speaker opening covers and remove.

INSTRUMENT
PANEL ASSY

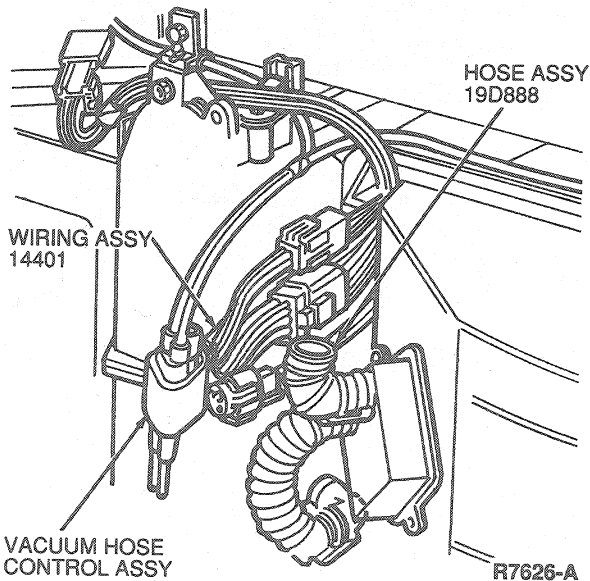
LH OUTER
FINISH PANEL
045G11

RH OUTER
FINISH PANEL
045G10



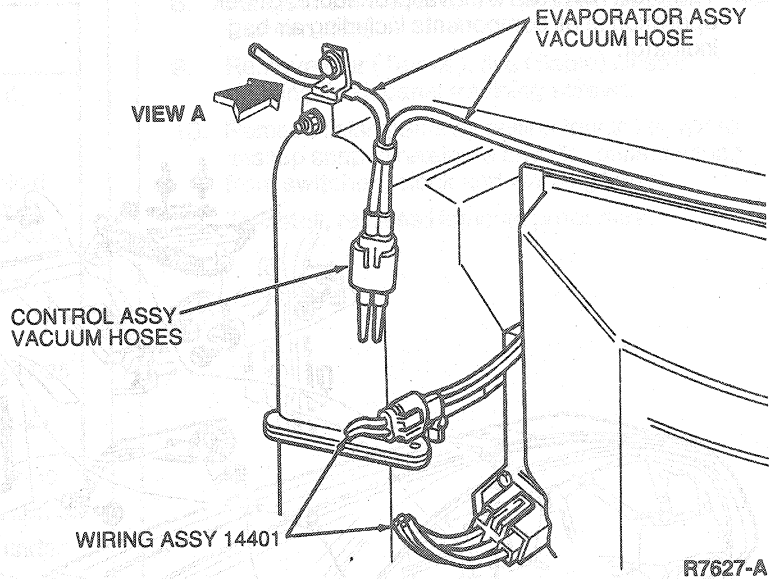
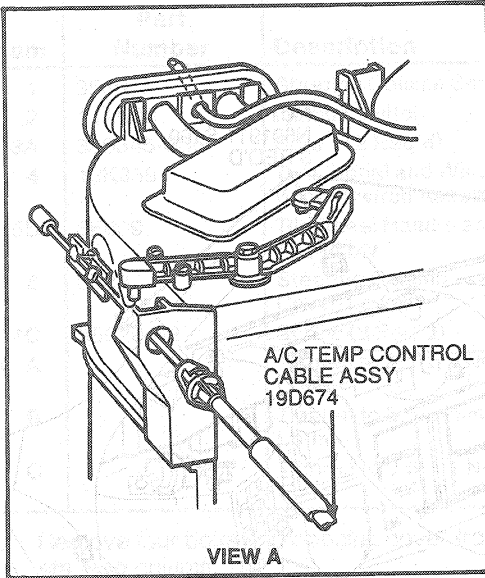
R7620-A

23. Using steering column and glove compartment openings and by reaching under instrument panel, disconnect all electrical connections, vacuum hoses, heater-A/C control cables and radio antenna cable.



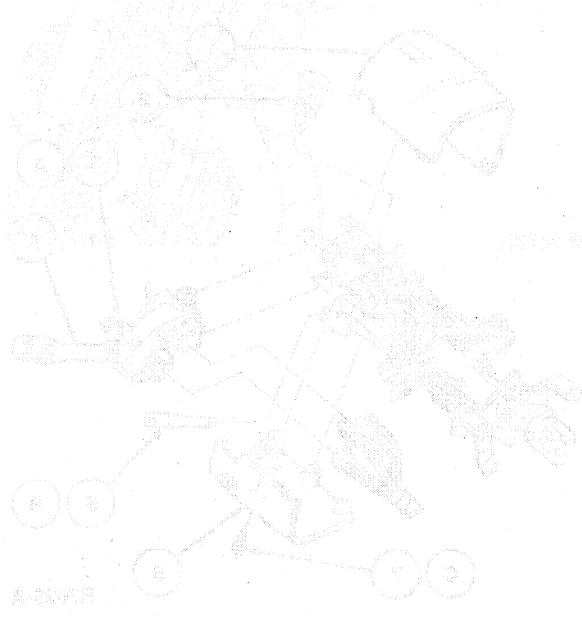
R7626-A

REMOVAL AND INSTALLATION (Continued)



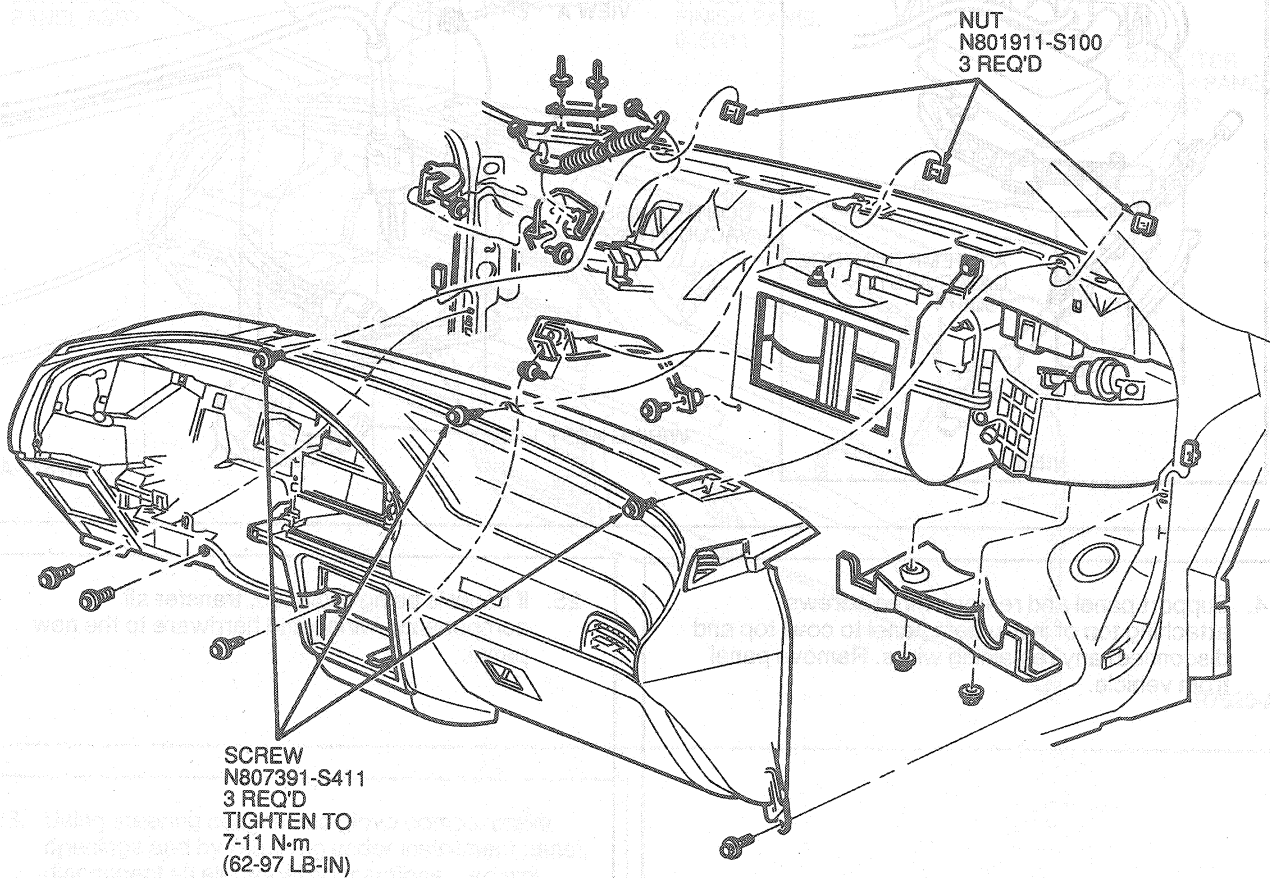
24. Support panel and remove three screws attaching top of instrument panel to cowl top and disconnect any remaining wires. Remove panel from vehicle.

25. If panel is being replaced, transfer all components, wiring and hardware to the new panel.



REMOVAL AND INSTALLATION (Continued)

26. To install, reverse Removal procedure. Check operation of all components including air bag indicator.

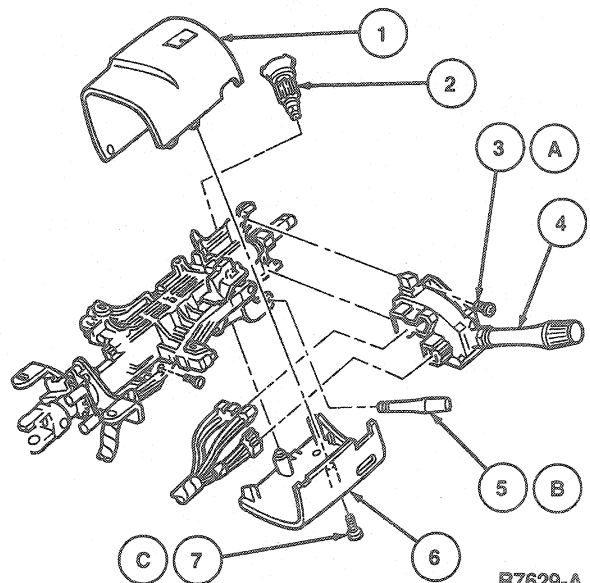


R7628-B

Cluster Finish Panel

Removal and Installation

1. Disconnect positive battery cable.
2. Engage parking brake.
3. Remove ignition lock cylinder.
4. If equipped with tilt column, tilt column to full down position and remove tilt lever.

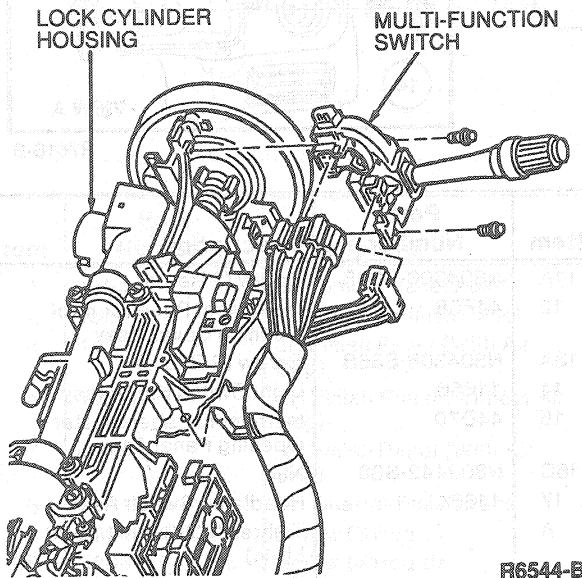


R7629-A

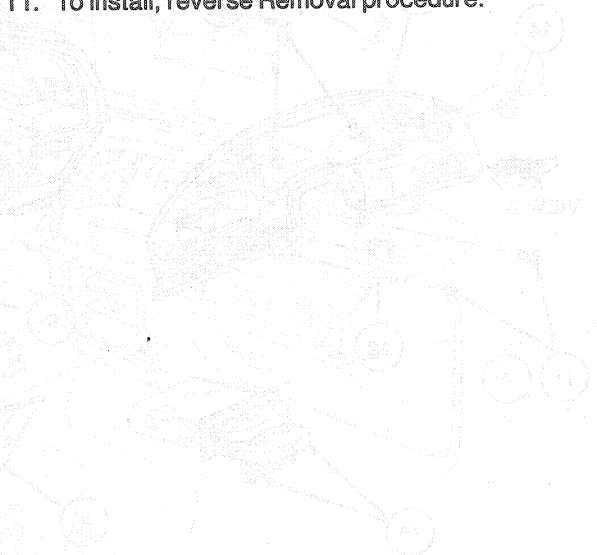
REMOVAL AND INSTALLATION (Continued)

Item	Part Number	Description
1	3530	Steering Column Shroud
2	11A606	Ignition Switch
3A	390345-S36	Screw (2 Req'd)
4	13K359	Turn Signal and Windshield Wiper Switch Assembly
5B	3F609	Tilt Wheel Handle and Shank Assembly
6	3533	Steering Column Cover-Lower
7C	55929-S2	Screw (3 Req'd)
A		Tighten to 2.1-2.9 N-m (19-25 Lb-In)
B		Tighten to 3.5-5 N-m (31-44 Lb-In)
C		Tighten to 0.6-1.1 N-m (7-10 Lb-In)

5. Remove four bolts and opening cover from under steering column.
6. Remove steering column trim shrouds. Disconnect all electrical connections from steering column multi-function switch.
7. Remove two screws retaining multi-function switch and remove switch.

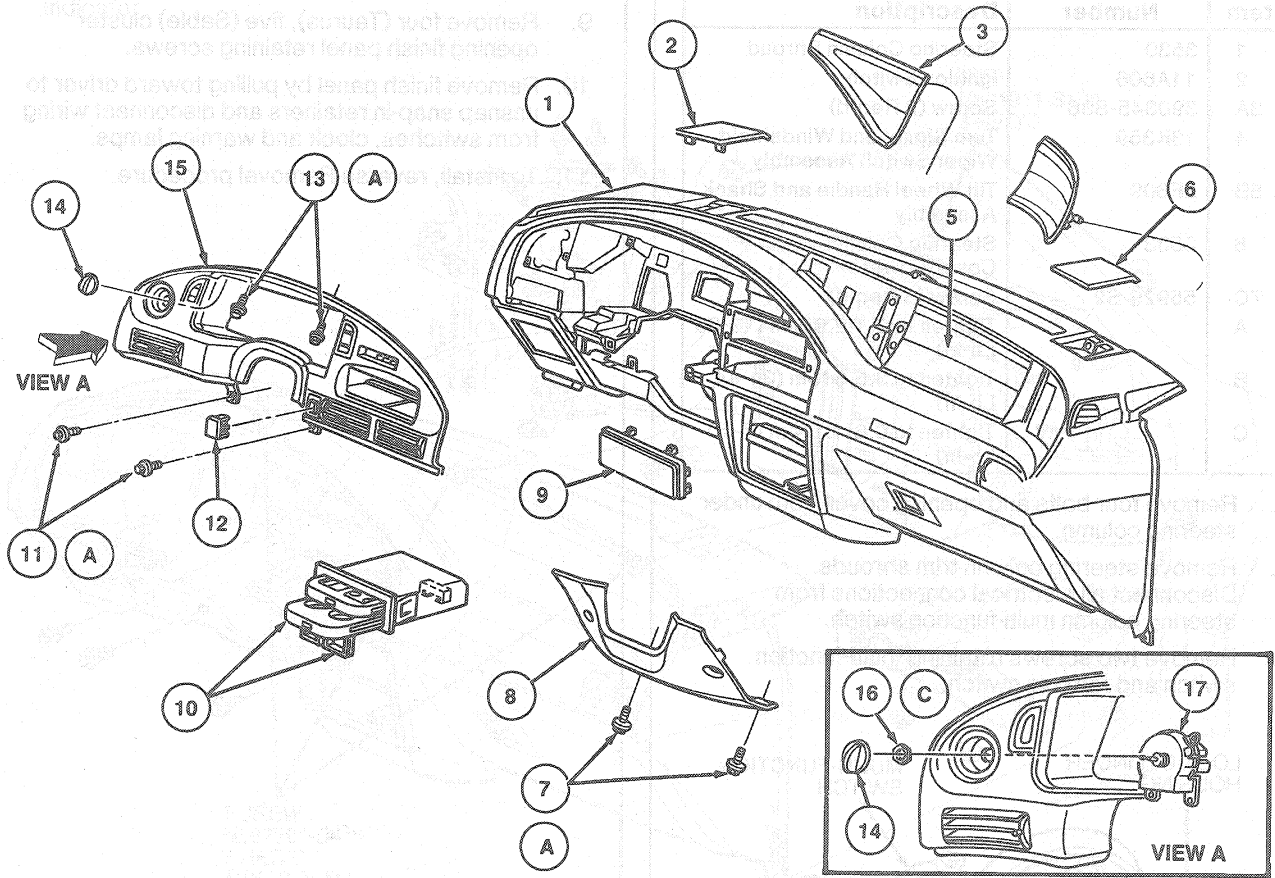


8. Pull gear shift lever to the full down position (column shift).
9. Remove four (Taurus), five (Sable) cluster opening finish panel retaining screws.
10. Remove finish panel by pulling toward driver to unsnap snap-in retainers and disconnect wiring from switches, clock and warning lamps.
11. To install, reverse Removal procedure.



REMOVAL AND INSTALLATION (Continued)

Taurus



R7618-B

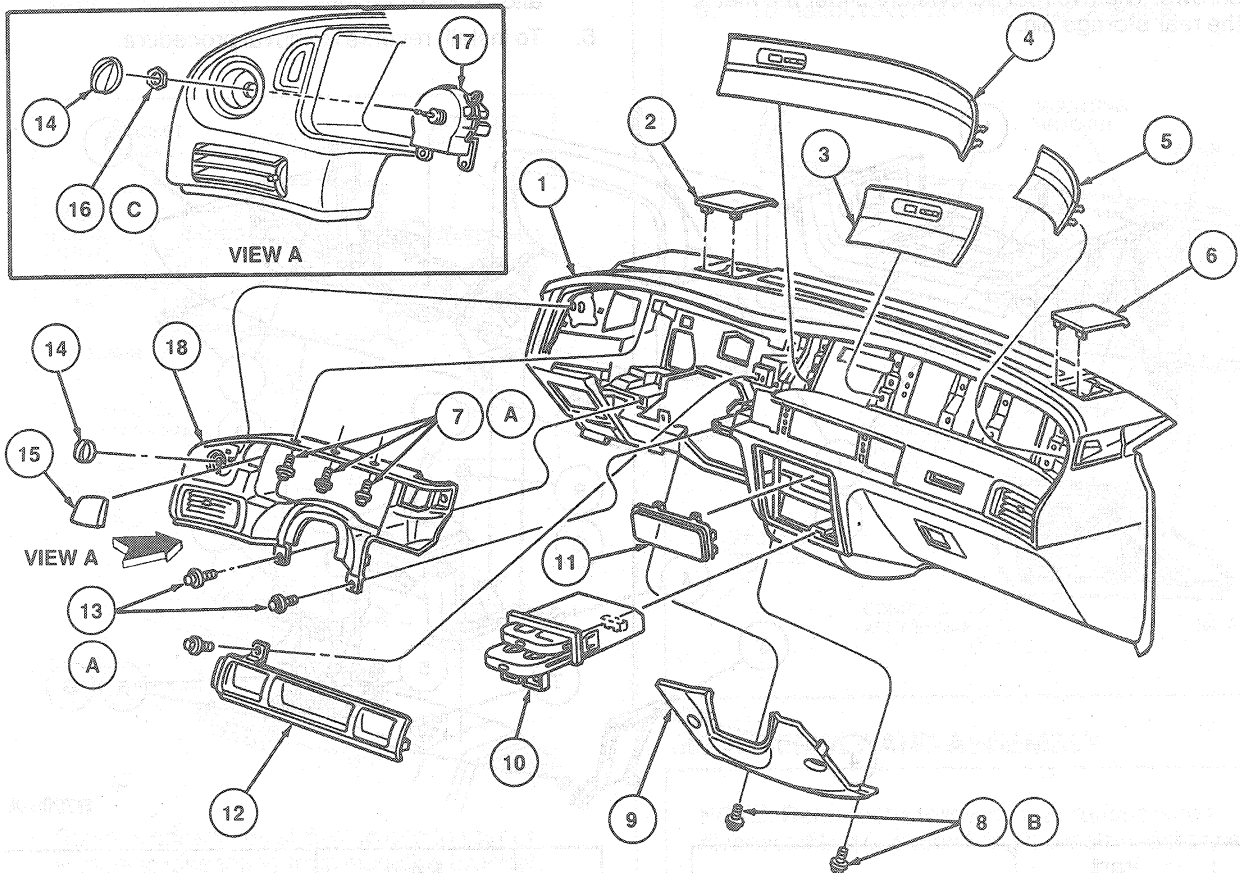
Item	Part Number	Description
1	4304	Instrument Panel Assy
2	45G11	LH Quarter Finish Panel
3	44A91	LH Upper Finish Panel
4	44A90	RH Upper Finish Panel
5	—	Passenger Air Bag Restraint Module Assy
6	45G10	RH Quarter Finish Panel
7B	N806715-S36B	Screw 4 (Req'd)
8	46A72	Cover and Pad Assy I/P-Steering Column Opening
9	4371	Instrument Panel Radio Opening Cover
10	6202	Utility Tray

Item	Part Number	Description
11A	N804306-S36B	Screw (2 Req'd)
12	44F58	Instrument Panel Control Opening Cover Assy
13A	N804306-S36B	Screw (2 Req'd)
14	11666	Light Switch Knob Assy
15	44D70	Instrument Panel Cluster Opening Panel Assy
16C	N803442-S36	Nut
17	11654	Headlamp Switch Assy
A		Tighten to 2-3 N·m (18-26 Lb·In)
B		Tighten to 9-14 N·m (80-123 Lb·In)
C		Tighten to 6-8 N·m (53-71 Lb·In)

(Continued)

REMOVAL AND INSTALLATION (Continued)

Sable



R7619-B

Item	Part Number	Description
1	4304	Instrument Panel Assy
2	45G11	LH Quarter Finish Panel
3	44A91	LH Finish Panel (With Air Bag)
4	44B78	RH Finish Panel (Without Air Bag)
5	44A90	RH Finish Panel (With Air Bag)
6	45G10	RH Quarter Finish Panel
7A	N804306-S36B	Screw (3 Req'd)
8B	N806715-S36B	Screw (4 Req'd)
9	46A72	Cover and Pad Steering Column Opening
10	6202A	Utility Tray

(Continued)

Item	Part Number	Description
11	4371	Instrument Panel Radio Opening Cover
12	44A92	Center Finish Panel
13A	N804306-S36B	Screw (3 Req'd)
14	11666	Light Switch Knob Assy
15	44F58	Instrument Panel Control Opening Cover
16C	N803442-S36	Light Switch Nut
17	11654	Headlamp Switch Assy
18	44D70	Instrument Panel Cluster Opening Panel Assy
A		Tighten to 2-3 N·m (18-26 Lb·In)
B		Tighten to 9-14 N·m (80-123 Lb·In)
C		Tighten to 6-8 N·m (53-71 Lb·In)

Console Assembly, Floor

Removal and Installation

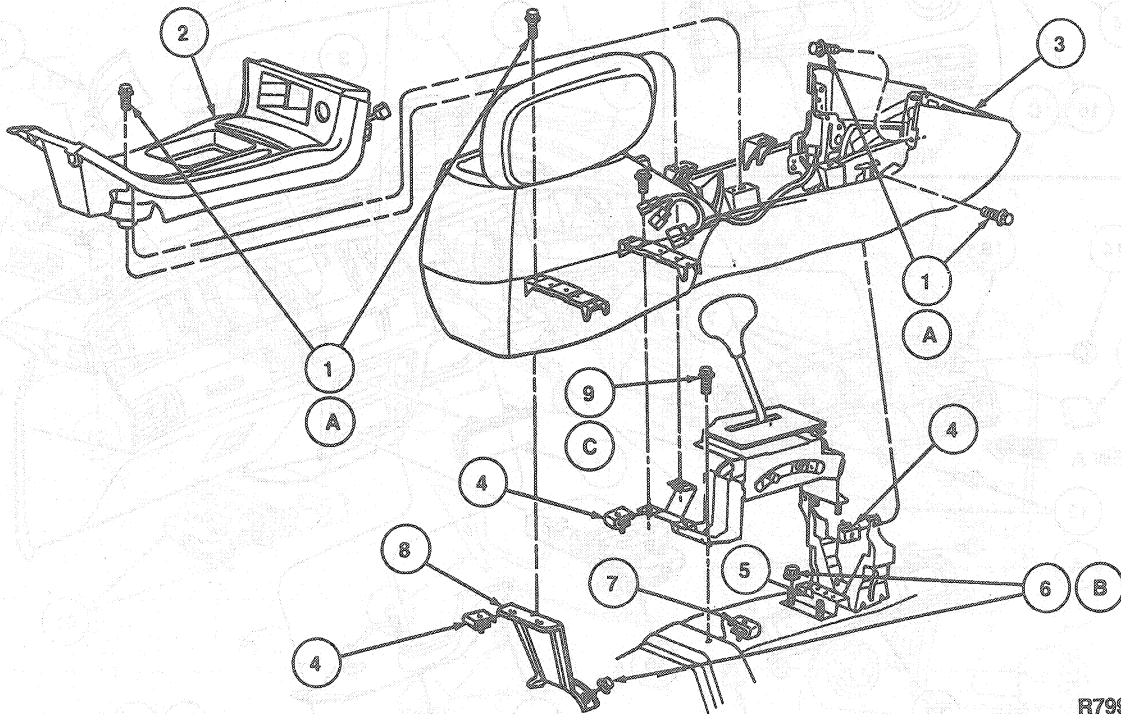
1. Remove cupholder and shift lever opening cover retaining screw.

2. Move shift lever rearward.
3. Remove shift lever opening cover (snaps out).

REMOVAL AND INSTALLATION (Continued)

4. Remove eight console to floor bracket retaining screws. The two rear screws are under the mat in the rear storage bin.

5. Disconnect all necessary electrical connectors and remove console.
6. To install, reverse Removal procedure.



R7995-A

Item	Part Number	Description
1A	N6 10939-S36B	Screw and Washer Assy (9 Req'd)
2	44F06	Console Top Finish Panel
3	45A06	Console Assy
4	N802538-S100	U-Nut (7 Req'd)
5	45A46	Front Console Mounting Bracket
6B	N806543-S43	Nut (7 Req'd)
7	N800854-S100	U-Nut (2 Req'd)

(Continued)

Item	Part Number	Description
8	45W34	Rear Console Mounting Bracket
9C	N606676-S2	Bolt and Washer Assy (2 Req'd)
A		Tighten to 1.4-2 N·m (12-18 Lb·In)
B		Tighten to 2.7-3.7 N·m (24-33 Lb·In)
C		Tighten to 7.5-10.5 N·m (66-93 Lb·In)

Console Armrest**Removal and Installation**

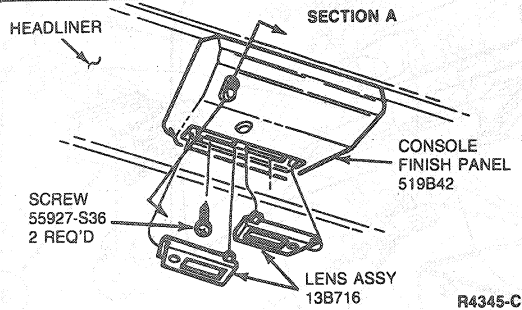
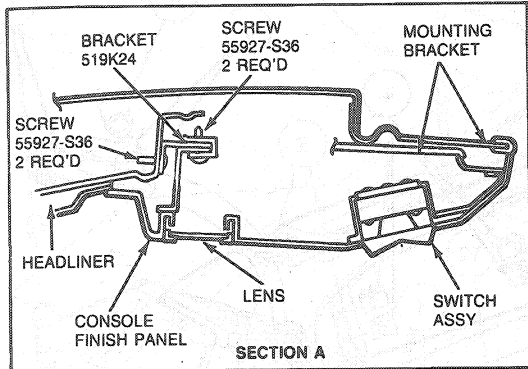
1. Open armrest door and remove two hinge-to-console retaining screws. Remove armrest door.
2. Remove armrest base.
3. To install, reverse Removal procedure.

Console Assembly, Roof**Removal and Installation**

1. Remove lamp lenses by inserting a flat-blade screwdriver in one of the notches on the side of each lens.

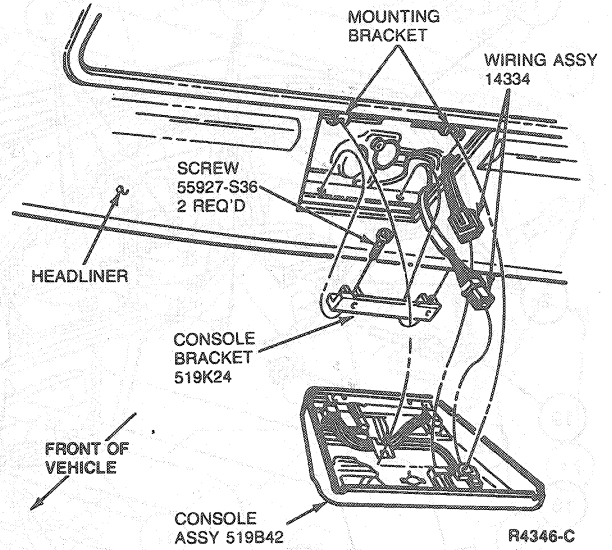
REMOVAL AND INSTALLATION (Continued)

2. Remove two console retaining screws (one inside each lens opening).



3. Remove console by sliding up and to rear of vehicle to disengage from mounting bracket.

4. Disconnect electrical connections.
5. To install, reverse Removal procedure.



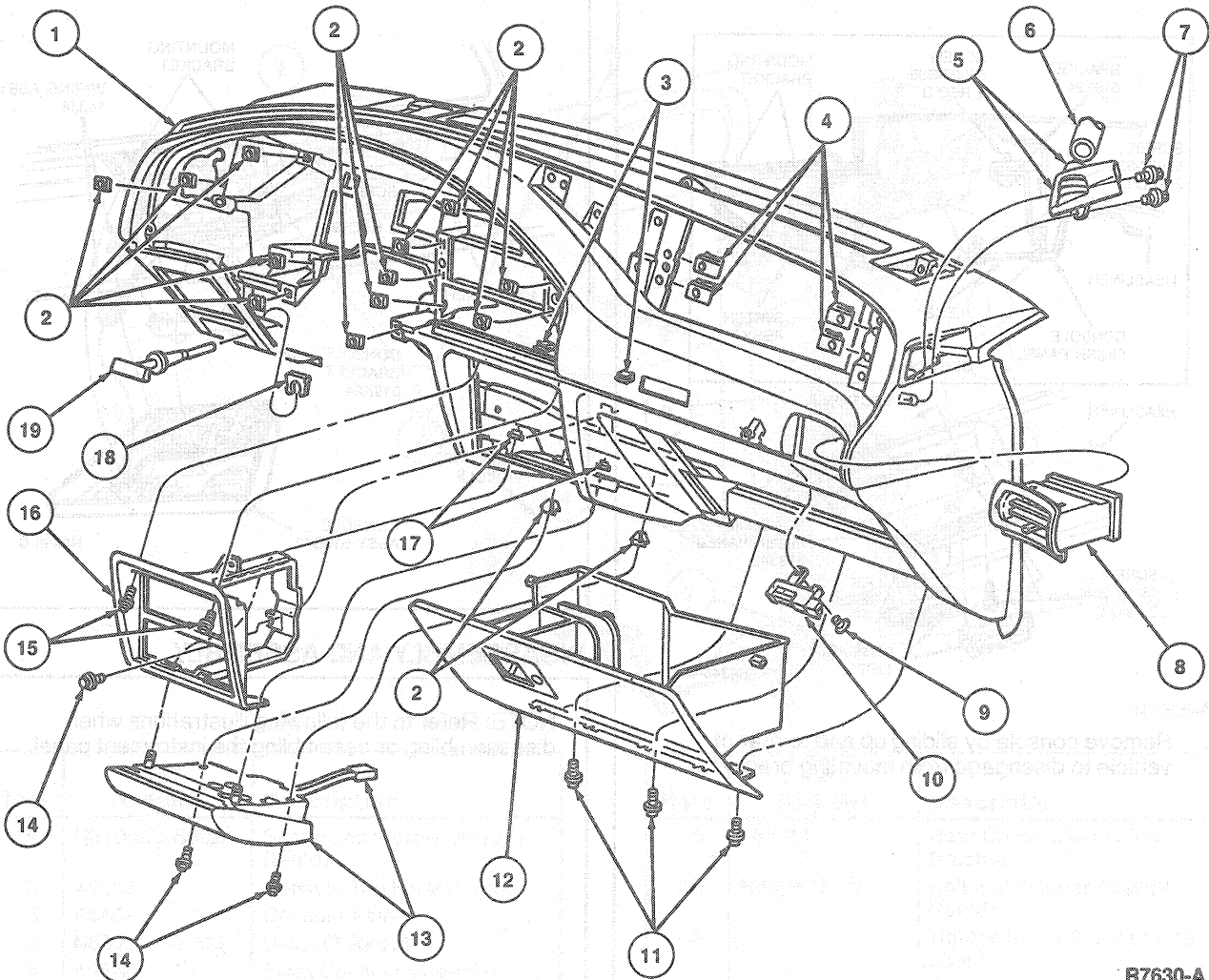
DISASSEMBLY AND ASSEMBLY

NOTE: Refer to the following illustrations when disassembling or assembling the instrument panel.

DISASSEMBLY AND ASSEMBLY (Continued)

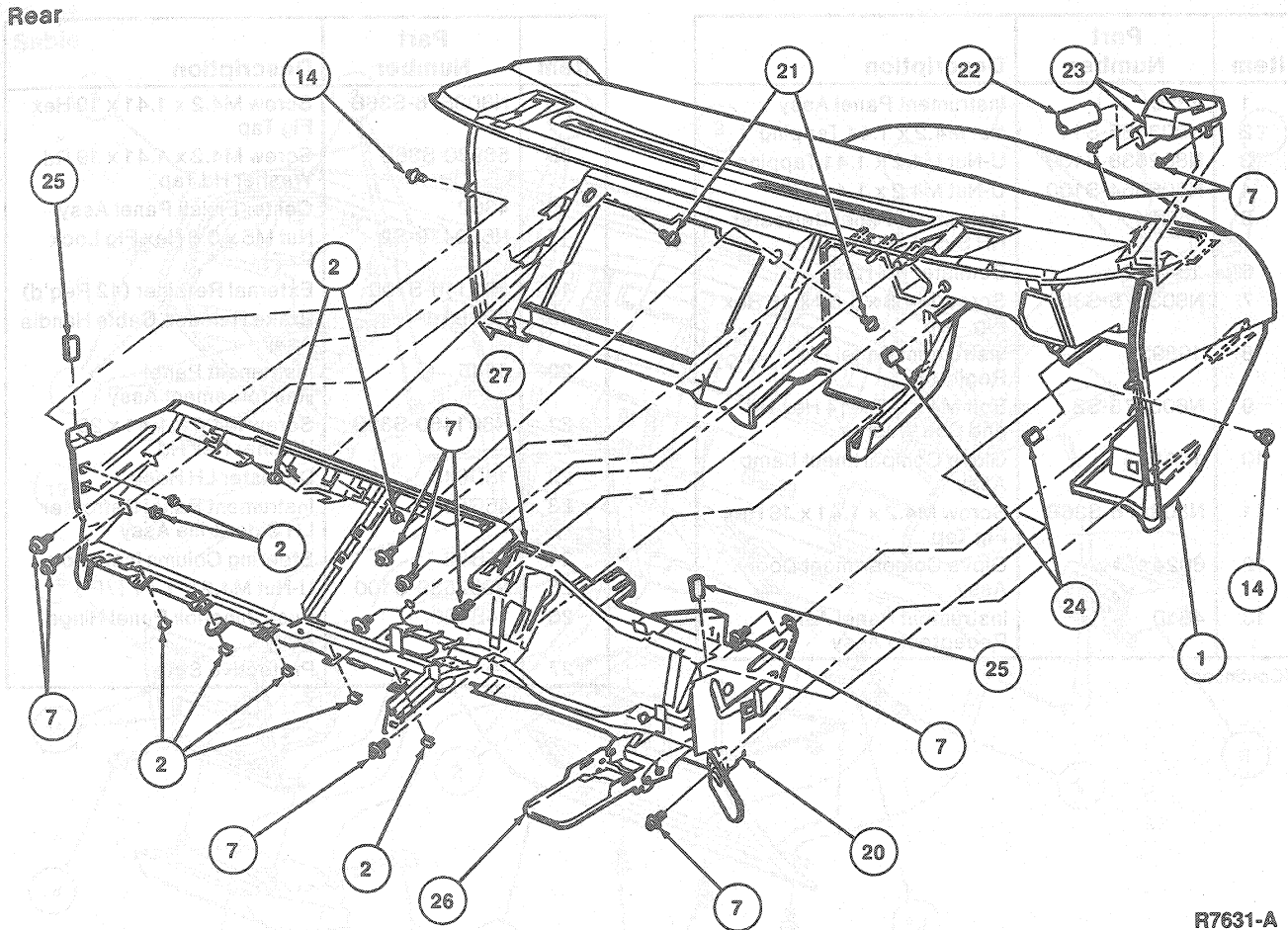
(Continued)

Instrument Panel Exploded View
Front
Taurus



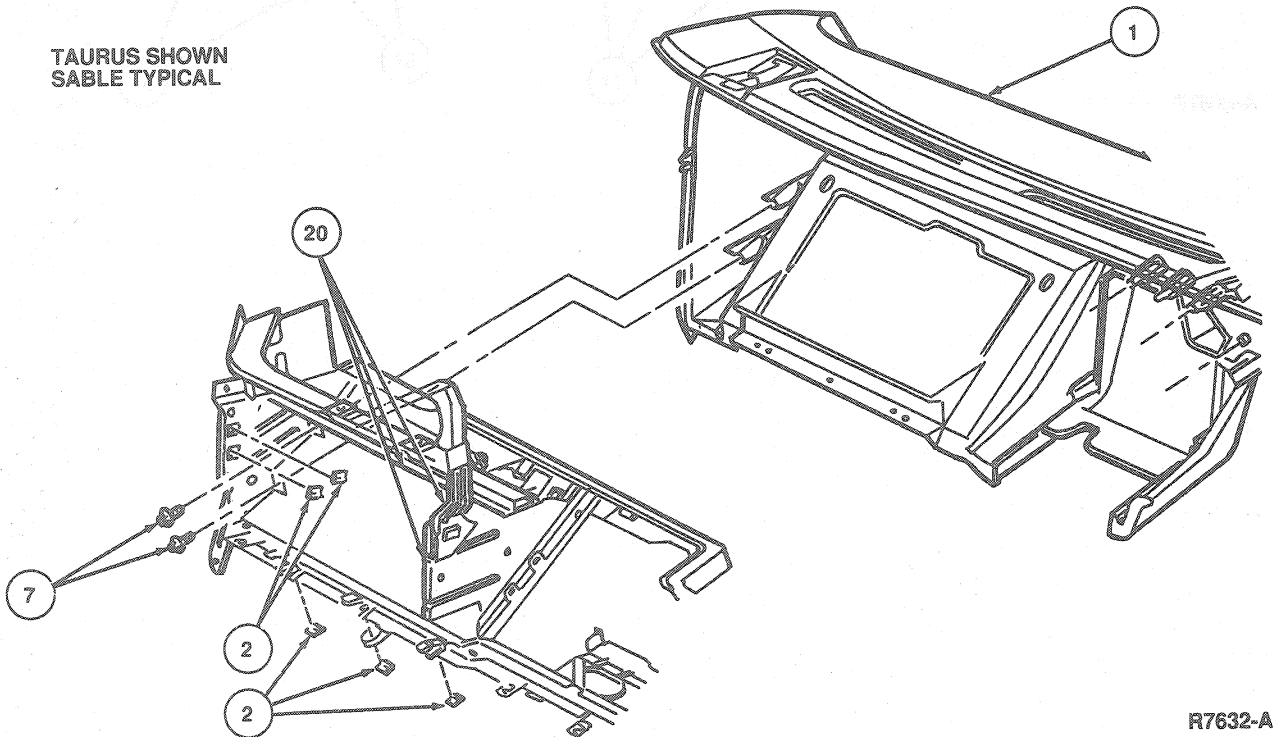
R7630-A

DISASSEMBLY AND ASSEMBLY (Continued)



R7631-A

TAURUS SHOWN
SABLE TYPICAL



R7632-A

DISASSEMBLY AND ASSEMBLY (Continued)

Item	Part Number	Description
1	4320	Instrument Panel Assy
2	N803685-S11	Nut M4.2 x 1.41 Tapping
3	N802538-S100	U-Nut M4.2 x 1.41 Tapping
4	N806954-S100	U-Nut M4.2 x 1.41 P/T
5	45G54	Instrument Panel Defroster RH Side Grille Assy
6	18A672	Demister RH Hose
7	N803875-S36	Screw M4.8 x 1.59 x 16 Hex Flg. Tap
8	19893	Instrument Panel RH Register
9	N803273-S2	Bolt M4 x 0.7 x 14 Hex Hd and Con Washer
10	15A563	Glove Compartment Lamp Assy
11	N803876-S36B	Screw M4.2 x 1.41 x 19 Hex Flg Tap
12	6024	Glove Compartment Door Assy
13	4810	Instrument Panel Ash Receptacle Assy

(Continued)

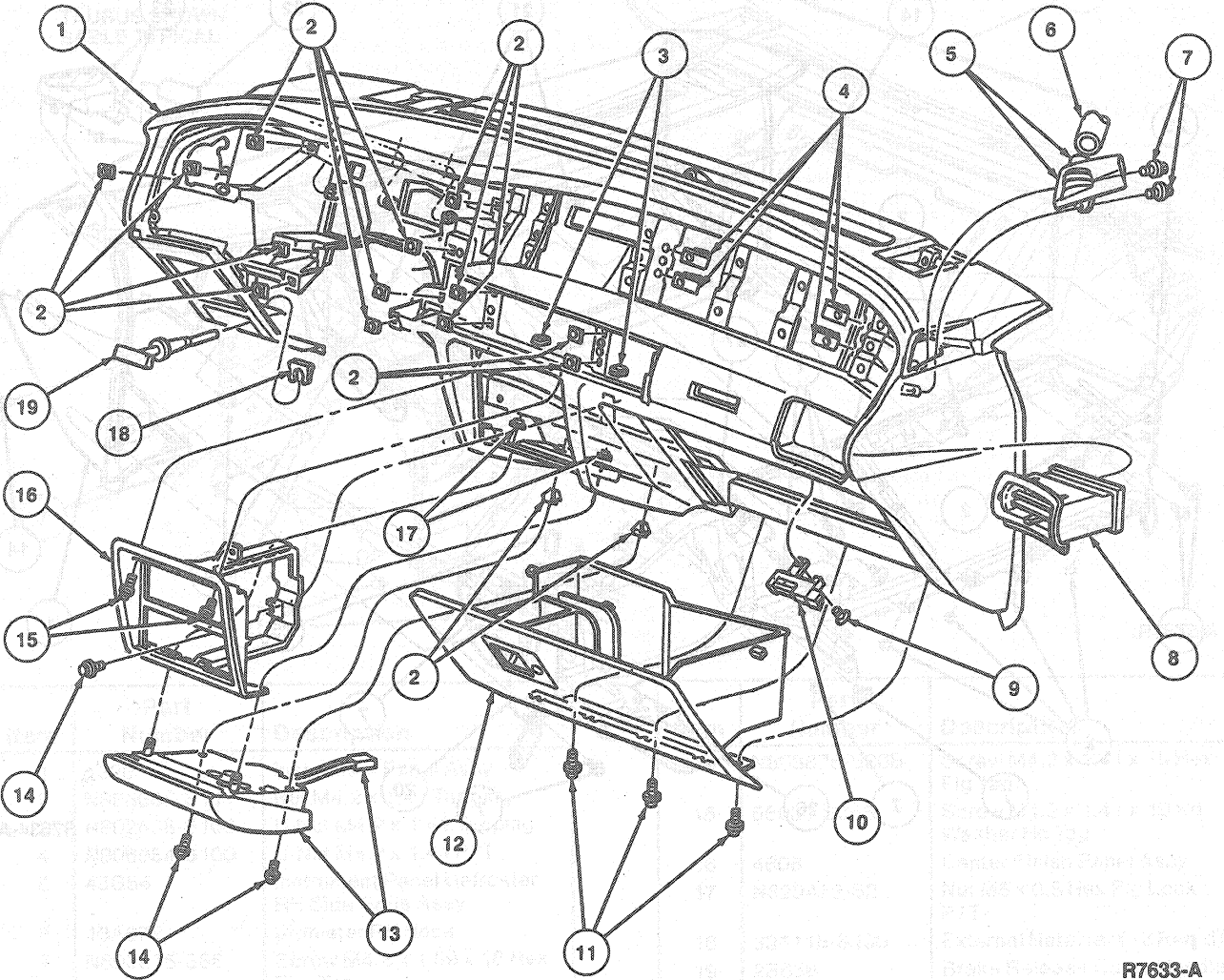
Item	Part Number	Description
14	N803876-S36B	Screw M4.2 x 1.41 x 19 Hex Flg Tap
15	56930-S36B	Screw M4.2 x 1.41 x 19 Rd Washer Hd Tap
16	4302	Center Finish Panel Assy
17	N620479-S2	Nut M5 x 0.8 Hex Flg Lock P/T
18	391115-S100	External Retainer (12 Req'd)
19	2B658	Brake Release Cable Handle Assy
20	4545	Instrument Panel Reinforcement Assy
21	N801460-S36B	Screw M4.2 x 1.41 x 26 Washer Hex Hd
22	18D640	Demister LH Hose
23	45G55	Instrument Panel Defroster LH Side Grille Assy
24	46B82	Steering Column Insulator
25	N802539-S100	U-Nut M4.2 x 1.41 T/P
26	14B100	Fuse Junction Panel Hinge Assy
27	—	Protective Strip

DATE: 01/12/92
TIME: 10:00 AM

DISASSEMBLY AND ASSEMBLY (Continued)

(Continued)

Front Sable



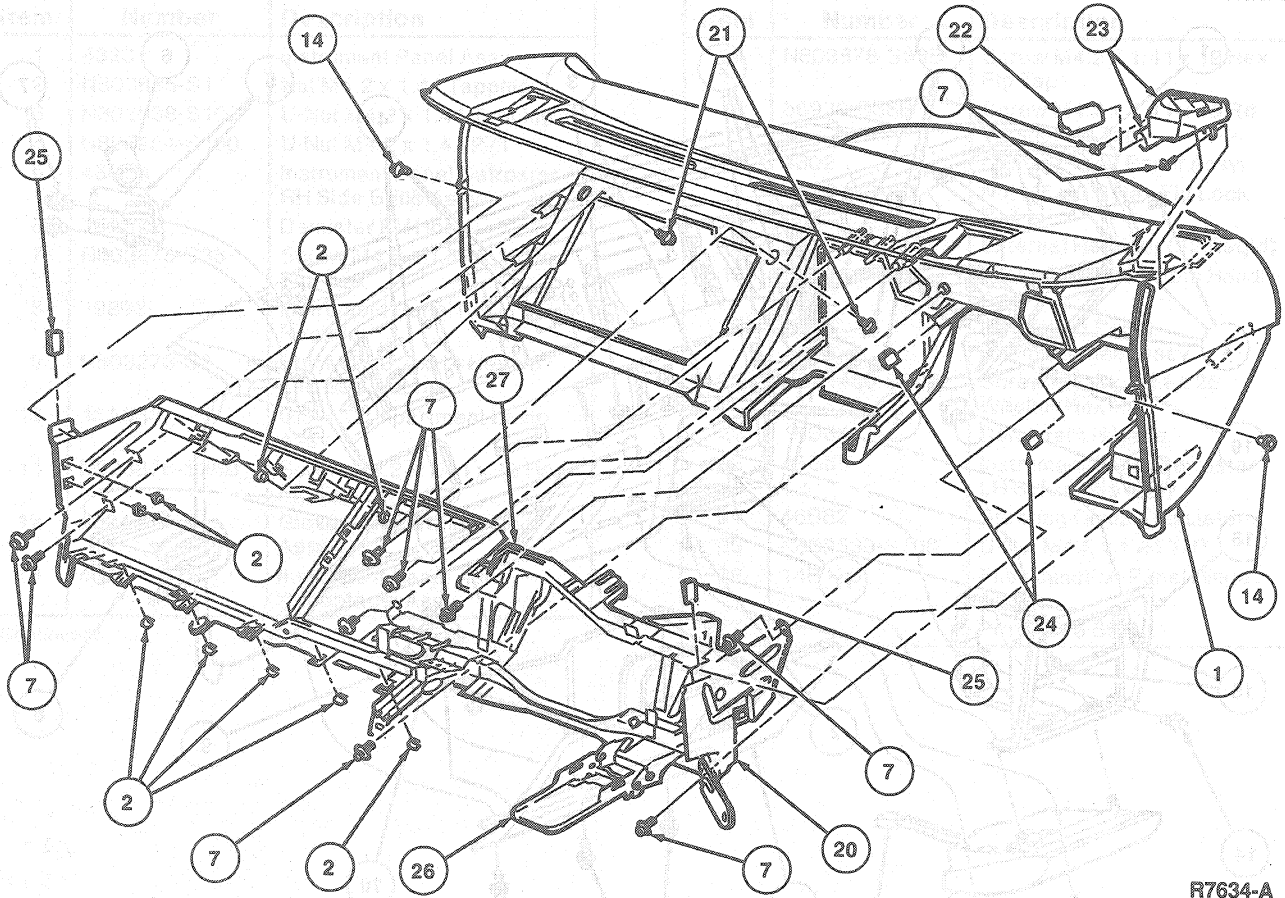
R7633-A

1	19873	Instrument Panel Body	16	2946	Instrument Panel
2	18633-02	Body Mounting Bracket	17	160342-02	Instrument Panel
3	15402	Instrument Panel	18	13014-0	Instrument Panel
4	1802413-02	Instrument Panel	19	13024	Instrument Panel
5	337115-02	Instrument Panel	20	13024	Instrument Panel
6	23626	Instrument Panel	21	13024	Instrument Panel
7	2946	Instrument Panel	22	13024	Instrument Panel
8	160342-02	Instrument Panel	23	13024	Instrument Panel
9	13014-0	Instrument Panel	24	13024	Instrument Panel
10	13024	Instrument Panel	25	13024	Instrument Panel
11	13024	Instrument Panel	26	13024	Instrument Panel
12	13024	Instrument Panel			
13	13024	Instrument Panel			
14	13024	Instrument Panel			
15	13024	Instrument Panel			
16	13024	Instrument Panel			
17	13024	Instrument Panel			
18	13024	Instrument Panel			
19	13024	Instrument Panel			

DISASSEMBLY AND ASSEMBLY (Continued)

(Continued)

Rear

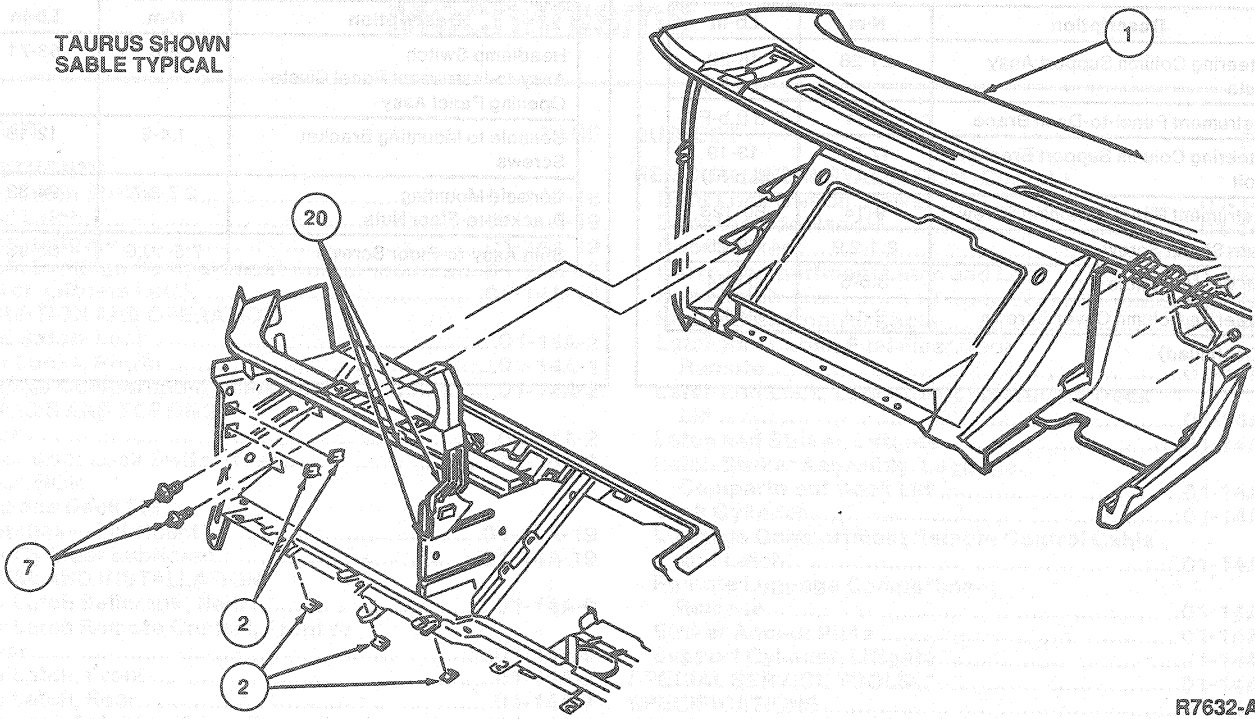


R7634-A

DISASSEMBLY AND ASSEMBLY (Continued)

Taurus

TAURUS SHOWN
SABLE TYPICAL



R7632-A

Item	Part Number	Description
1	4320	Instrument Panel Assy
2	N803685-S11	Nut M4.2 x 1.41 Tapping
3	N802538-S100	U-Nut M4.2 x 1.41 Tapping
4	N806954-S100	U-Nut M4.2 x 1.41 P/T
5	45G54	Instrument Panel Defroster RH Side Grille Assy
6	18A672	Demister RH Hose
7	N803875-S36	Screw M4.8 x 1.59 x 16 Hex Flg. Tap
8	19893	Instrument Panel RH Register
9	N803273-S2	Bolt M4 x 0.7 x 14 Hex Hd and Con Washer
10	15A563	Glove Compartment Lamp Assy
11	N803876-S36B	Screw M4.2 x 1.41 x 19 Hex Flg Tap
12	6024	Glove Compartment Door Assy
13	4810	Instrument Panel Ash Receptacle Assy

(Continued)

Item	Part Number	Description
14	N803876-S36B	Screw M4.2 x 1.41 x 19 Hex Flg Tap
15	56930-S36B	Screw M4.2 x 1.41 x 19 Rd Washer Hd Tap
16	4608	Center Finish Panel Assy
17	N620479-S2	Nut M5 x 0.8 Hex Flg Lock P/T
18	391115-S100	External Retainer (12 Req'd)
19	2B658	Brake Release Cable Handle Assy
20	4545	Instrument Panel Reinforcement Assy
21	N801460-S36B	Screw M4.2 x 1.41 x 26 Washer Hex Hd
22	18D640	Demister LH Hose
23	45G55	Instrument Panel Defroster LH Side Grille Assy
24	46B82	Steering Column Insulator
25	N802539-S100	U-Nut M4.2 x 1.41 T/P
26	14B100	Fuse Junction Panel Hinge Assy
27	—	Protective Strip

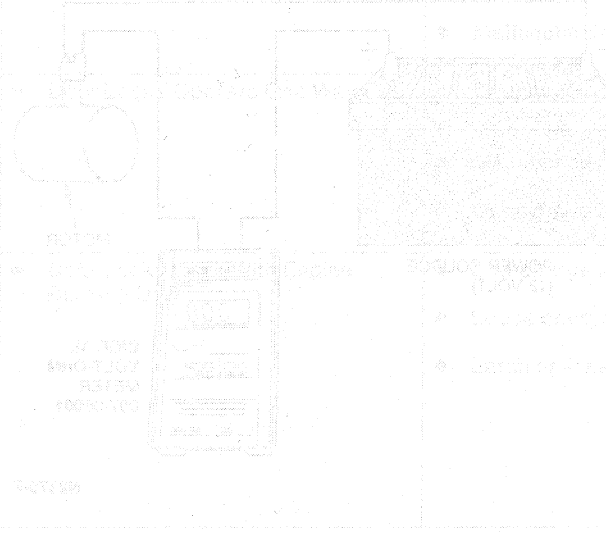
SECTION 01-14A Handles, Locks, Latches and Mechanisms

SUBJECT	PAGE	SUBJECT	PAGE
ADJUSTMENTS		REMOVAL AND INSTALLATION (Cont'd.)	
Door Latch Striker	01-14A-18	Door Lock Switch, Power	01-14A-4
Hood Latch	01-14A-19	Door Outside Handle	01-14A-9
Latch, Liftgate	01-14A-19	Door Striker	01-14A-10
Latch, Luggage Compartment	01-14A-19	Glove Compartment Latch and Lock	01-14A-18
Striker, Liftgate Latch	01-14A-18	Hood Latch	01-14A-12
DESCRIPTION AND OPERATION		Hood Latch Control Cable	01-14A-11
Child Safety Lock	01-14A-2	Latch and Cable, Fuel Filler Door	
Door Locks, Power	01-14A-1	Remote	01-14A-10
Luggage Compartment Release	01-14A-2	Latch and Lock, Luggage Compartment Deck	
DIAGNOSIS AND TESTING		Lid	01-14A-13
Motor	01-14A-2	Latch and Striker, Liftgate	01-14A-14
Power Door Lock Switch Test	01-14A-3	Latch Striker Assembly, Luggage	
LUBRICATION		Compartment Deck Lid	01-14A-13
Hood and Deck Lid		Lock Cylinder	01-14A-16
Latches—Lubricant	01-14A-19	Luggage Compartment Remote Control Cable	
Lock Cylinder Lubricant	01-14A-19	and Latch	01-14A-17
REMOVAL AND INSTALLATION		Remote Luggage Compartment	
Door Latch Bellcrank, Rear	01-14A-9	Release	01-14A-16
Door Latch Remote Control, Front or		Striker Anchor Plate	01-14A-16
Rear	01-14A-9	Support Cylinder, Liftgate	01-14A-14
Door Latch, Front	01-14A-5	SPECIAL SERVICE TOOLS	01-14A-20
Door Latch, Rear	01-14A-7	SPECIFICATIONS	01-14A-19
Door Lock Actuator Motor, Power Locks	01-14A-4	VEHICLE APPLICATION	01-14A-1
Door Lock Cylinder	01-14A-9		

VEHICLE APPLICATION
Taurus/Sable.

DESCRIPTION AND OPERATION

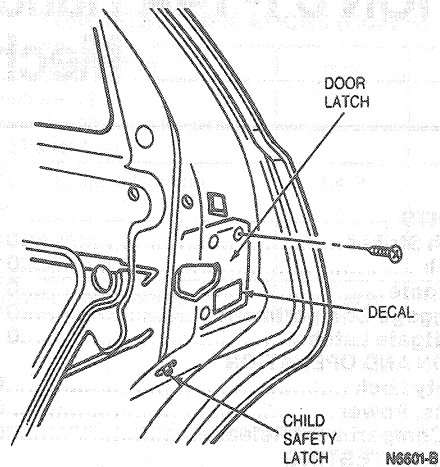
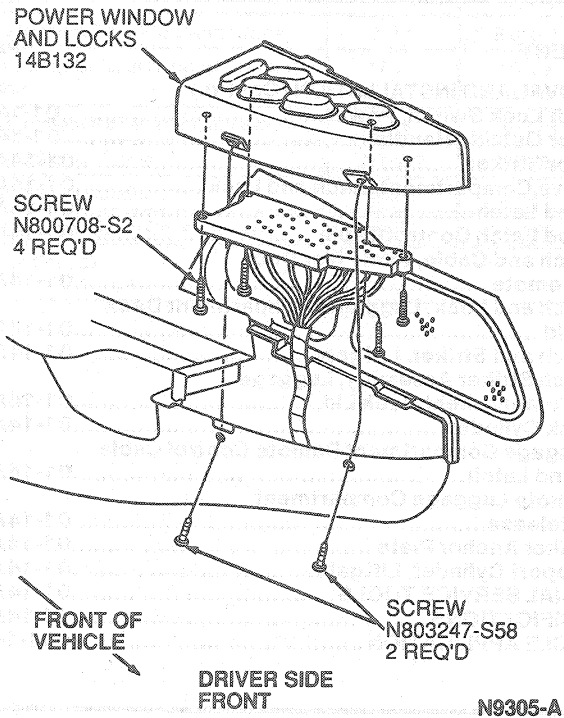
Door Locks, Power
The power door lock control system uses electric switches mounted on the front door armrests.



To lock doors, push down on the raised portion of the rocker switch (marked "L").
To unlock the doors, push the depressed portion of the rocker switch (marked "U").

DESCRIPTION AND OPERATION (Continued)

The key lock will not lock or unlock all doors from outside the vehicle. The key inserted into the door lock can only be used to lock or unlock that individual door.



Luggage Compartment Release

Sedan

A lever located near the LH side of driver seat actuates the luggage compartment latch.

DIAGNOSIS AND TESTING

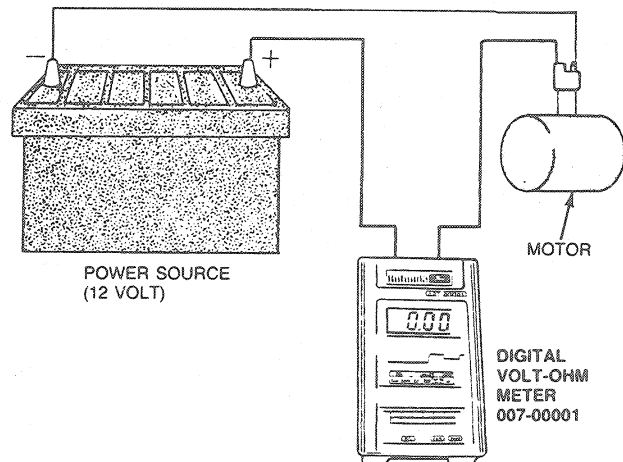
Motor

Tools Required:

- Rotunda Digital Volt-Ohmmeter 007-00001

Apply 12 volts directly to the motor terminals (reverse polarity for opposite direction). The motor (actuator) rod should finish its travel in less than one second.

Using Rotunda Digital Volt-Ohmmeter 007-00001 or equivalent, the motor current draw (stall test) should not exceed 6 amps. Reverse the polarity to the connector and test.



N2370-F

Child Safety Lock

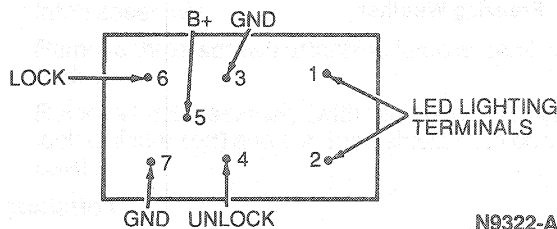
The child safety lock, when activated, prevents the rear door from being opened from inside the vehicle regardless of the position of the door lock knob. The child safety lock has been designed into the door latch bellcrank levers and a decal has been located on the rear door lock face to indicate the location of the lever which is manually moved up to lock and down to unlock the system. Once the system is put into the locked position and the door is closed, the door can only be opened from outside the vehicle. The child safety lock does not lock the door from the outside; it is still necessary to push the door lock knob down to lock the door from outside.

DIAGNOSIS AND TESTING (Continued)

Power Door Lock Switch Test

1. Use a self-powered test lamp or an ohmmeter to test the power door lock switch.
2. With the switch in the NEUTRAL position, there should be continuity between Terminals 6 and 3 and Terminals 7 and 4. Terminal 5 should be disconnected from all other terminals.
3. When the raised portion of the switch rocker knob (marked "L") is pushed, there should be continuity between Terminals 6 and 3 and Terminals 5 and 4. Terminal 2 should be disconnected from all other terminals.
4. When the depressed portion of the switch rocker knob (marked "U") is pushed, there should be continuity between Terminals 5 and 6 and Terminals 7 and 4. Terminal 3 should be disconnected from all other terminals.
5. If the switch assembly does not test as stated, replace the switch.

Power Door Lock Switch Connector Testing Points



N9322-A

Refer to the following Diagnosis Charts when servicing the power door locks and switches.

NOTE: Before starting electrical diagnosis, check for mechanical binds by manually operating door locks. Then operate lock system several times from each switch, while observing the operation of all door locks. Be sure battery is fully charged.

CONDITION	POSSIBLE SOURCE	ACTION
<ul style="list-style-type: none"> ● One Door Lock Does Not Work 	<ul style="list-style-type: none"> ● Latch or linkage binding. ● Open or shorted circuit. ● Malfunctioning actuator. 	<ul style="list-style-type: none"> ● Using Multi-Purpose Grease D7AZ-19584-AA (ESR-M1C159-A and ESB-M1C106-B) or equivalent, spray into latch opening and manually cycle ten times. Check for interference around night latch and all linkage. ● Check for voltage at actuator connector, operating switch in both positions. Service circuit if necessary. ● Test actuator. Replace if necessary.
<ul style="list-style-type: none"> ● All Door Locks Do Not Work 	<ul style="list-style-type: none"> ● Malfunctioning circuit breaker. ● Open or shorted circuit. 	<ul style="list-style-type: none"> ● Check circuit breaker. (Refer to Section 18-01.) Replace if necessary. ● Check wiring and connections between circuit breaker and door lock switches. Service if necessary.
<ul style="list-style-type: none"> ● All Locks Work From One Switch Only 	<ul style="list-style-type: none"> ● Open or shorted circuit. ● Malfunctioning switch. 	<ul style="list-style-type: none"> ● Check wiring and connections between circuit breaker and inoperative switch. Service if necessary. ● Test actuator. Replace if necessary.
<ul style="list-style-type: none"> ● Door Locks Operate One Way Only 	<ul style="list-style-type: none"> ● Open or shorted circuit. ● Malfunctioning switch. ● Open ground circuit. 	<ul style="list-style-type: none"> ● Check wiring and connections between door lock switches and motors. Service if necessary. ● Test actuator. Replace if necessary. ● Check ground circuit from LH switch. Service if necessary.
<ul style="list-style-type: none"> ● Door Locks Work With Engine Running Only 	<ul style="list-style-type: none"> ● Low charge in battery. ● Loose or corroded connections. ● Latch or linkage binding. 	<ul style="list-style-type: none"> ● Test battery. (Refer to Section 14-01.) Charge if necessary. ● Check wiring and connections. Service if necessary. ● Using Multi-Purpose Grease D7AZ-19584-AA (ESR-M1C159-A and ESB-M1C106-B) or equivalent, spray into latch opening and manually cycle ten times. Check for interference around night latch and all linkage.

DIAGNOSIS AND TESTING (Continued)

CONDITION	POSSIBLE SOURCE	ACTION
<ul style="list-style-type: none"> Locks Do Not Work In Below Freezing Weather 	<ul style="list-style-type: none"> Frozen door latch or linkage. 	<ul style="list-style-type: none"> Bring vehicle into heated garage to allow lock system to thaw. Verify that all locks now work. Using Multi-Purpose Grease D7AZ-19584-AA (ESR-M1C159-A and ESB-M1C106-B) or equivalent, spray into latch opening and manually cycle ten times. May be necessary to remove door trim panel to lubricate entire latch and linkage system. Refer to Section 01-05.
<ul style="list-style-type: none"> Locks Work Intermittently 	<ul style="list-style-type: none"> Loose connections. Poor ground at LH switch. Malfunctioning switch. 	<ul style="list-style-type: none"> Check connectors. Secure if necessary. Check ground circuit from LH switch. Service if necessary. Test switch. Replace if necessary.

TN4735K

REMOVAL AND INSTALLATION

NOTE: Due to the conversion from single 90 degree rod to double 90 degree rod, it may be necessary to remove more parts than the instructions indicate. This action will allow more maneuverability of the rod and ease the removal process.

Door Lock Switch, Power

The power door lock switches are located on the front door armrests.

Removal

1. Insert a small, thin-bladed screwdriver into the spring tab slot (located at the front of the switch housing) and apply pressure to make the switch housing assembly pop out.
2. Carefully pry apart connector retaining legs from switch housing and remove switch and housing assembly.

NOTE: The housing is **not** designed to separate from the switch housing assembly; the switch and housing assembly is serviceable as an assembly only.

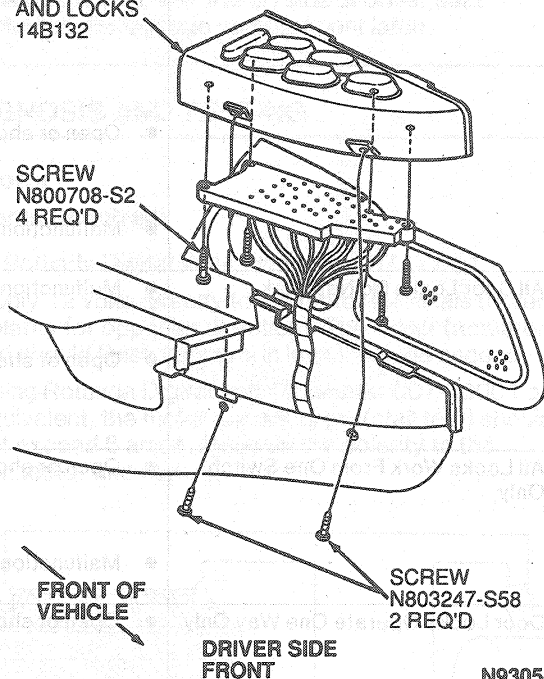
Installation

1. Position switch and housing to wiring connector and press firmly into place.

NOTE: The switch and connector are keyed and can only be assembled one way.

2. Push the wiring rearward into the armrest.
3. Position the switch housing to the door armrest and press firmly into place.

POWER WINDOW
AND LOCKS
14B132

**Door Lock Actuator Motor, Power Locks**

Refer to the appropriate illustration under Door Latch Removal and Installation.

Tools Required:

- Heavy Duty Riveter D80L-23200-A

Removal

1. Remove door trim panel and watershields. Refer to Section 01-05.

REMOVAL AND INSTALLATION (Continued)

2. Using a letter "X" and 0.250-inch diameter drill, remove pop-rievet attaching actuator motor to door. Disconnect wiring at connector.
3. Disconnect the actuator motor link from door latch and remove motor.

Installation

1. Connect the actuator motor link to the door latch.
2. Connect wiring at connectors.
3. Use Heavy Duty Riveter D80L-23200-A or equivalent to install door lock actuator motor to door with pop-rievet.

CAUTION: Pop-rievet must be installed with bracket base tight to the inner panel.

4. Install watershed and door trim panel. Refer to Section 01-05.

Door Latch, Front

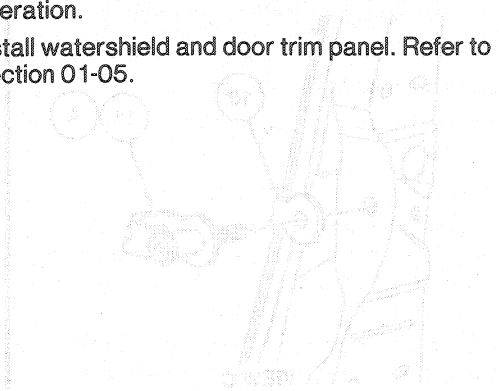
Removal

1. Remove door trim panel and watershed. Refer to Section 01-05.
2. Check all connections of remote control link and rod and service if necessary.
3. Remove remote control assembly and link clip.
4. Remove clip attaching lock cylinder rod to lock cylinder.
5. Remove clip from actuator motor, if so equipped.

6. Remove clip attaching push-button rod to latch.
7. Remove clip attaching outside door handle rod to latch assembly.
8. Remove three screws attaching latch assembly to door.
9. Remove latch assembly (with remote control link lock cylinder rod) and anti-theft shield from door cavity.

Installation

1. Install new bushings and clips onto new latch assembly. Install anti-theft shield, remote control link and lock cylinder rod onto latch assembly levers.
2. Position latch (with link and rod) onto door cavity, aligning screw holes in latch and door. Install three screws and tighten to 4-8 N·m (3-6 lb-ft).
3. Attach outside door handle rod to latch with a clip.
4. Attach push-button rod to latch assembly with clip.
5. Attach clip from actuator motor, if so equipped.
6. Attach lock cylinder rod to lock cylinder with clip.
7. Install remote control assembly and link clip.
8. Open and close door to check latch assembly operation.
9. Install watershed and door trim panel. Refer to Section 01-05.

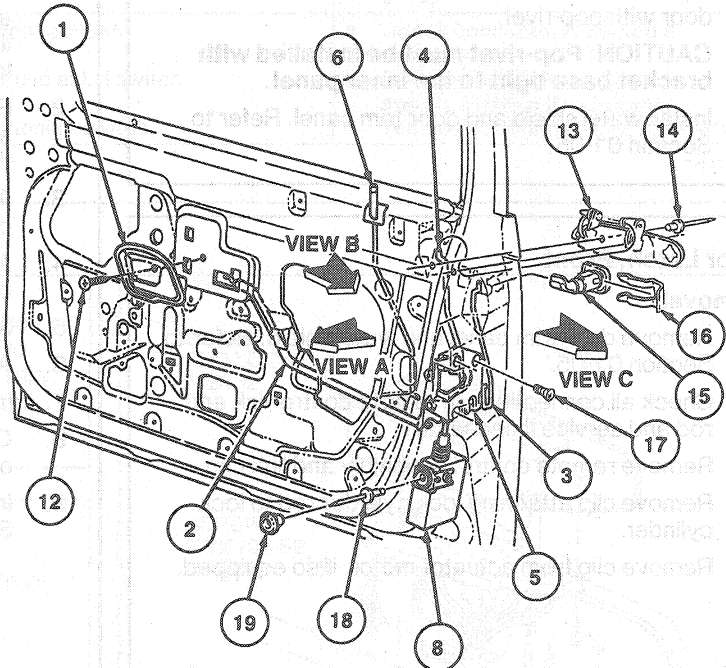
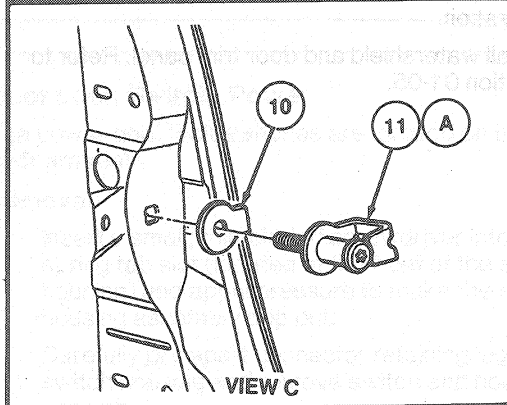
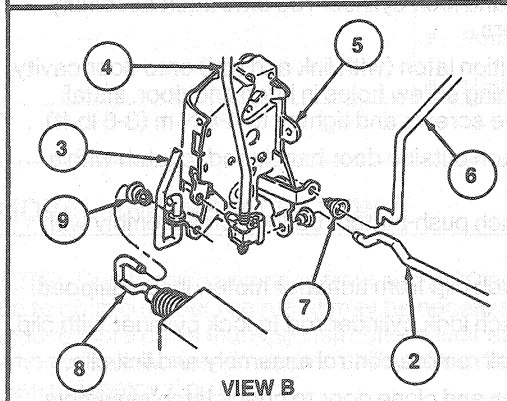
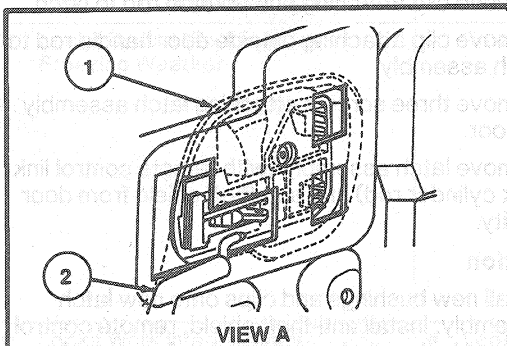


Item	Part Number	Description
10	MS0502-8	Screw (1 Red/1 Each Side)
11A	31802	Door Latch Outer Assy
12	MS1018-82	Screw (1 Red/1 Each Side)
13	32403	Handle Assy
14	38128-8102	Rivet (3 Red/1 Each Side)
15		Lock Assy
16	32023	Lock Cylinder Retainer
17	MS0502-8100	Screw (3 Red/3 Each Side)
18	MS0502-8100	Rivet
19	31784-8	Grease
A		Tighten to 33-47 N·m (24-33 lb-ft)

Item	Part Number	Description
1	31815	Latch Remote Control Assy
2	31814	Link Assy
3	32184	Lock Cylinder/Latch
4	32113	Handle-to-Actuator Rod
5	31813	Latch Assy
6	31800	Pop Assy
7	38128-8	Bushing
8	31842	Power Latch Actuator
9	38128-8	Bushing

REMOVAL AND INSTALLATION (Continued)

REMOVAL AND INSTALLATION (Continued)



N6635-H

Item	Part Number	Description
1	21818	Latch Remote Control Assy
2	21914	Link Assy
3	22134	Lock Cylinder-to-Latch Actuator Rod
4	22152	Handle-to-Latch Actuator Rod
5	21812	Latch Assy
6	218A00	Rod Assy
7	386656-S	Bushing
8	218A42	Power latch Actuator
9	386656-S	Bushing

Item	Part Number	Description
10	N805583-S	Shim (1 Req'd Each Side)
11A	21982	Door Latch Striker Assy
12	N610128-S2	Screw (1 Req'd Each Side)
13	22400	Handle Assy
14	391255-S102	Rivet (2 Req'd Each Door)
15	—	Lock Assy
16	22023	Lock Cylinder Retainer
17	N805653-S100	Screw (3 Req'd Each Side)
18	N805995-S100	Rivet
19	377934-S	Grommet
A		Tighten to 33-45 N-m (25-33 Lb-Ft)

(Continued)

REMOVAL AND INSTALLATION (Continued)

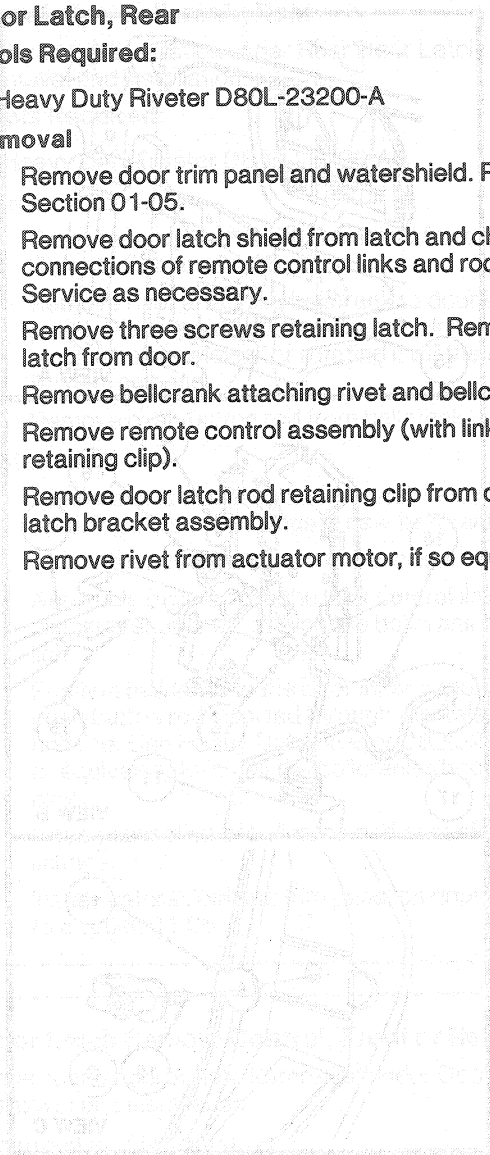
Door Latch, Rear

Tools Required:

- Heavy Duty Riveter D80L-23200-A

Removal

1. Remove door trim panel and watershield. Refer to Section 01-05.
2. Remove door latch shield from latch and check all connections of remote control links and rods. Service as necessary.
3. Remove three screws retaining latch. Remove latch from door.
4. Remove bellcrank attaching rivet and bellcrank.
5. Remove remote control assembly (with link retaining clip).
6. Remove door latch rod retaining clip from door latch bracket assembly.
7. Remove rivet from actuator motor, if so equipped.

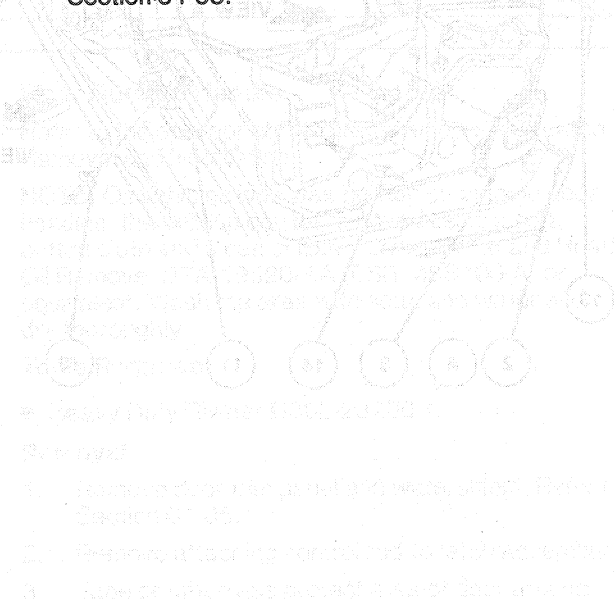


Item	Number	Description
18	180413-2	Pin (1 Rod) (3-6)
14	201140-1	Gate Arm (1 Rod) (3-6)
15	201140-2	Gate Arm (1 Rod) (3-6)
16	302020-1	Spring
17	31021	Pin
18	180413-2	Pin (1 Rod) (3-6)
19	21382	Pin (1 Rod) (3-6)
20	21382	Pin (1 Rod) (3-6)
21	21382	Pin (1 Rod) (3-6)
22	21382	Pin (1 Rod) (3-6)
23	21382	Pin (1 Rod) (3-6)
24	21382	Pin (1 Rod) (3-6)
25	21382	Pin (1 Rod) (3-6)
26	21382	Pin (1 Rod) (3-6)
27	21382	Pin (1 Rod) (3-6)
28	21382	Pin (1 Rod) (3-6)
29	21382	Pin (1 Rod) (3-6)
30	21382	Pin (1 Rod) (3-6)
31	21382	Pin (1 Rod) (3-6)
32	21382	Pin (1 Rod) (3-6)
33	21382	Pin (1 Rod) (3-6)
34	21382	Pin (1 Rod) (3-6)
35	21382	Pin (1 Rod) (3-6)
36	21382	Pin (1 Rod) (3-6)
37	21382	Pin (1 Rod) (3-6)
38	21382	Pin (1 Rod) (3-6)
39	21382	Pin (1 Rod) (3-6)
40	21382	Pin (1 Rod) (3-6)
41	21382	Pin (1 Rod) (3-6)
42	21382	Pin (1 Rod) (3-6)
43	21382	Pin (1 Rod) (3-6)
44	21382	Pin (1 Rod) (3-6)
45	21382	Pin (1 Rod) (3-6)
46	21382	Pin (1 Rod) (3-6)
47	21382	Pin (1 Rod) (3-6)
48	21382	Pin (1 Rod) (3-6)
49	21382	Pin (1 Rod) (3-6)
50	21382	Pin (1 Rod) (3-6)

8. Remove latch and actuator as an assembly from door.

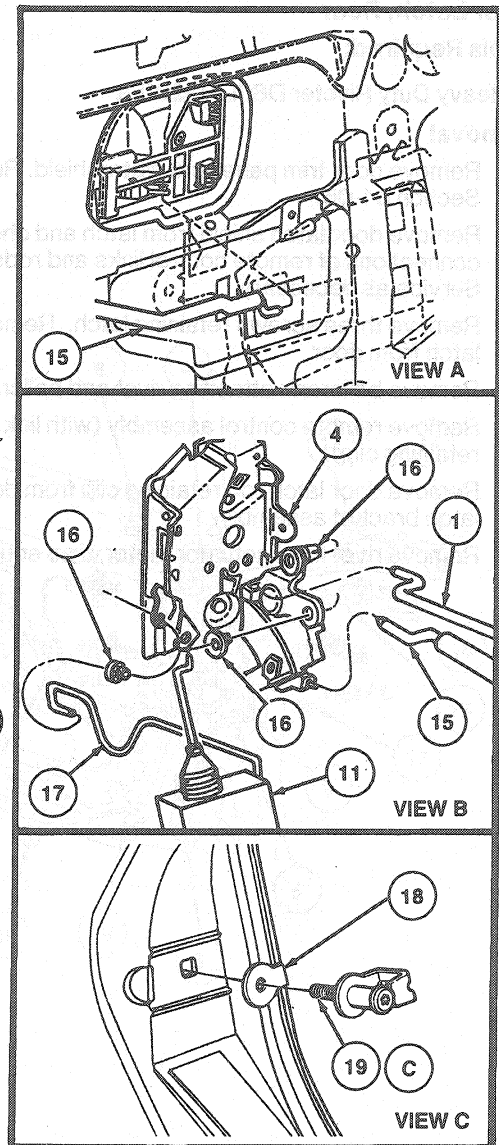
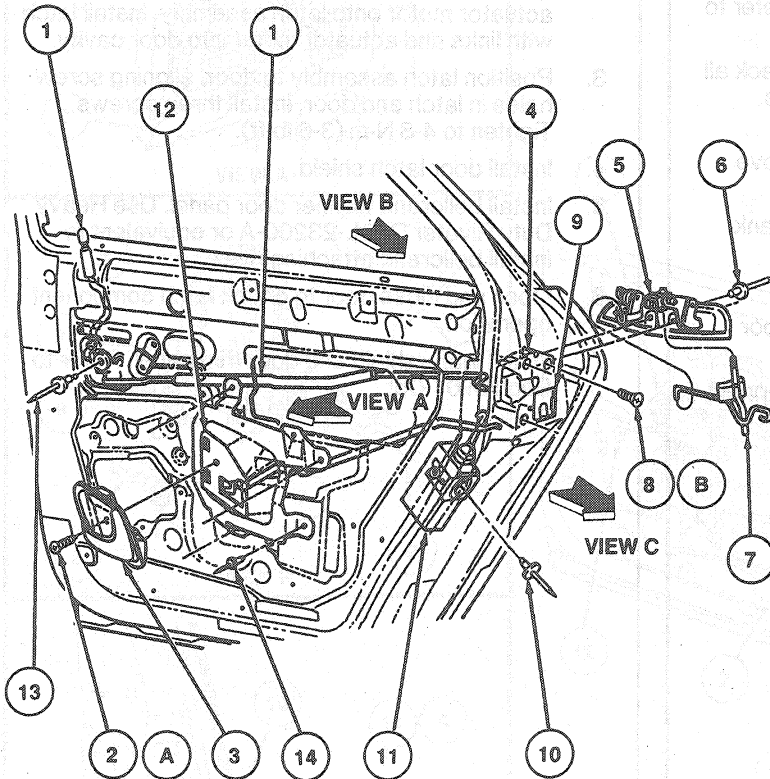
Installation

1. Install new bushings and clip onto latch assembly.
2. Install remote control slide links and power lock actuator motor onto latch assembly. Install latch with links and actuator motor into door cavity.
3. Position latch assembly to door, aligning screw holes in latch and door. Install three screws. Tighten to 4-8 N-m (3-6 lb-ft).
4. Install door latch shield.
5. Install bellcrank to inner door panel. Use Heavy Duty Riveter D80L-23200-A or equivalent to install bellcrank attaching rivet.
6. Open and close door to check latch component operation.
7. Install watershield and door trim panel. Refer to Section-01-05.



Item	Number	Description
18	180413-2	Pin (1 Rod) (3-6)
14	201140-1	Gate Arm (1 Rod) (3-6)
15	201140-2	Gate Arm (1 Rod) (3-6)
16	302020-1	Spring
17	31021	Pin
18	180413-2	Pin (1 Rod) (3-6)
19	21382	Pin (1 Rod) (3-6)
20	21382	Pin (1 Rod) (3-6)
21	21382	Pin (1 Rod) (3-6)
22	21382	Pin (1 Rod) (3-6)
23	21382	Pin (1 Rod) (3-6)
24	21382	Pin (1 Rod) (3-6)
25	21382	Pin (1 Rod) (3-6)
26	21382	Pin (1 Rod) (3-6)
27	21382	Pin (1 Rod) (3-6)
28	21382	Pin (1 Rod) (3-6)
29	21382	Pin (1 Rod) (3-6)
30	21382	Pin (1 Rod) (3-6)
31	21382	Pin (1 Rod) (3-6)
32	21382	Pin (1 Rod) (3-6)
33	21382	Pin (1 Rod) (3-6)
34	21382	Pin (1 Rod) (3-6)
35	21382	Pin (1 Rod) (3-6)
36	21382	Pin (1 Rod) (3-6)
37	21382	Pin (1 Rod) (3-6)
38	21382	Pin (1 Rod) (3-6)
39	21382	Pin (1 Rod) (3-6)
40	21382	Pin (1 Rod) (3-6)
41	21382	Pin (1 Rod) (3-6)
42	21382	Pin (1 Rod) (3-6)
43	21382	Pin (1 Rod) (3-6)
44	21382	Pin (1 Rod) (3-6)
45	21382	Pin (1 Rod) (3-6)
46	21382	Pin (1 Rod) (3-6)
47	21382	Pin (1 Rod) (3-6)
48	21382	Pin (1 Rod) (3-6)
49	21382	Pin (1 Rod) (3-6)
50	21382	Pin (1 Rod) (3-6)

REMOVAL AND INSTALLATION (Continued)



N6636-H

Item	Part Number	Description
1	264B14	Button and Link Assy
2A	N610128-S2	Screw
3	21818	Remote Control Assy
4	26412	Latch Assy
5	26600	Outside Handle
6	391255-S102	Rivet (2 Req'd)
7	26596	Link
8B	N805653-S100	Screw (3 Req'd)
9	219860	Door Lock Decal
10	N805995-S100	Rivet
11	26594	Power Latch Actuator
12	266A22	Bracket

(Continued)

Item	Part Number	Description
13	N802034-SG	Rivet
14	385189-S	Rivet (4 Req'd Each Door)
15	26414	Link Assy
16	386656-S	Bushing
17	26596	Rod
18	N804243-S	Shim (1 Req'd Each Side)
19C	21982	Door Latch Striker Assy
A		Tighten to 7-11 N·m (5-8 Lb-Ft)
B		Tighten to 4-8 N·m (3-6 Lb-Ft)
C		Tighten to 33-45 N·m (24-33 Lb-Ft)

REMOVAL AND INSTALLATION (Continued)**Door Latch Bellcrank, Rear**

Refer to the illustration under Rear Door Latch Removal and Installation.

Tools Required:

- Heavy Duty Riveter D80L-23200-A

Removal

1. Remove trim panel and watershield from door. Refer to Section 01-05.
2. Remove rivet attaching bellcrank to door inner panel. Disconnect bellcrank from lock control link by unclipping retainer or rotating it off the double 90 degree bend.
3. Remove push-button rod from bellcrank.

Installation

1. If bellcrank is to be replaced, install new rod retaining clips or bushings in new bellcrank.
2. Assemble push-button rod to bellcrank.
3. Assemble bellcrank to the lock control link by clipping retainer or rotating the bellcrank onto the link.
4. Position bellcrank to the door inner panel with the push-button rod inserted through the hole at the belt line. Use Heavy Duty Riveter D80L-23200-A or equivalent to install the bellcrank attaching rivet.
5. Check operation of bellcrank and associated linkage.
6. Install watershield and trim panel on door. Refer to Section 01-05.

Door Latch Remote Control, Front or Rear

Refer to the appropriate illustration under Door Latch Removal and Installation

Removal and Installation

1. Remove door trim panel and watershield. Refer to Section 01-05.
2. Remove screw retaining remote control to door inner panel.
3. Disengage remote control link from assembly and remove from door.
4. To install, reverse Removal procedure.

Door Lock Cylinder

When a lock cylinder must be replaced, replace both the door and ignition locks as a set to avoid carrying an extra key which fits only one lock.

Refer to the illustration under Door Latch, Front, Removal and Installation.

Removal

1. Remove door trim panel and watershield. Refer to Section 01-05.

2. Remove clip attaching lock cylinder rod-to-lock cylinder.
3. Pry lock cylinder retainer out of slot in door.
4. Remove lock cylinder from door.

Installation

1. Work lock cylinder assembly into outer door panel.
2. Install cylinder retainer into its slot and push retainer onto lock cylinder.
3. Install lock cylinder retainer into its slot and push retainer onto lock cylinder.
4. Connect lock cylinder rod to lock cylinder and install clip.
5. Lock and unlock door to check lock cylinder operation.
6. Install watershield and door trim panel. Refer to Section 01-05.

Door Outside Handle

Refer to the appropriate illustration under Door Latch Removal and Installation.

NOTE: On vehicles with wax buildup on outside door handles, the buildup can be removed using a soft, cotton cloth and a can of Extra Strength Tar and Road Oil Remover B7A-19520-AA (ESR-M5B106-A) or equivalent. Wash the area with soap and water and dry thoroughly.

Tools Required:

- Heavy Duty Riveter D80L-23200-A

Removal

1. Remove door trim panel and watershield. Refer to Section 01-05.
2. Remove attaching control rod-to-latch assembly.
3. Tape or otherwise protect area of door around door handle opening to prevent paint damage.
4. Using a piece of wood, prop open door handle.
5. Remove both rivets attaching outside door handle to door.
 - a. Use a drift punch to knock out center pin in each rivet.
 - b. Drill out remainder of each rivet.
6. Remove prop, and pull handle out of hole in door.

Installation

1. Install outside door handle into hole in door.
2. Prop open door handle and install two rivets using Heavy Duty Riveter D80L-23200-A or equivalent attaching handle to door.
3. Clip control rod to latch lever.
4. Open and close door to check door handle and latch operation.
5. Install watershield and door trim panel. Refer to Section 01-05.

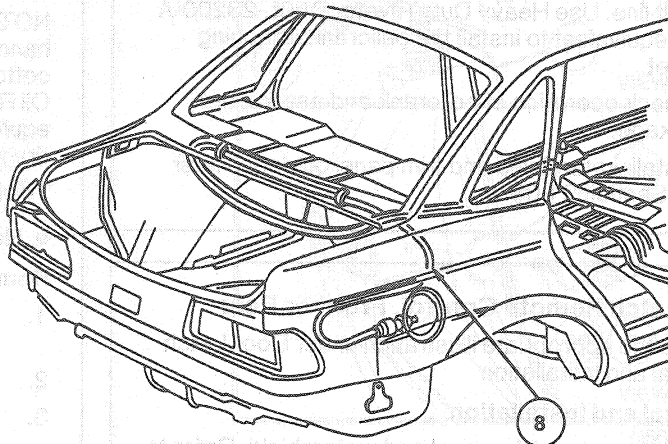
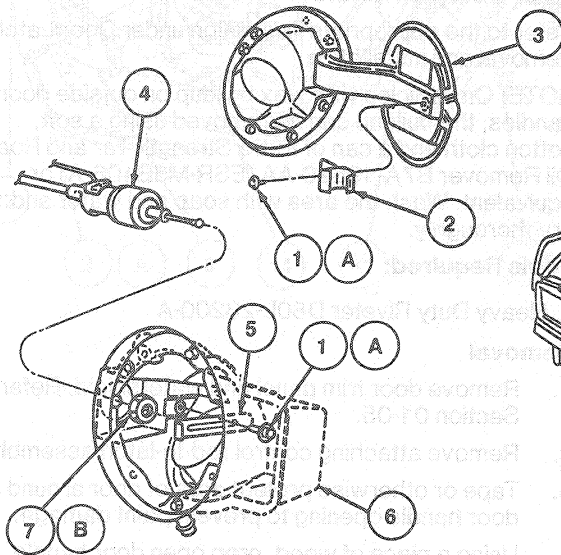
REMOVAL AND INSTALLATION (Continued)

Latch and Cable, Fuel Filler Door Remote

Removal and Installation

1. Remove LH package tray speaker cover from luggage compartment (Sable).
2. Reach inside and remove clip retaining head restraint (Sable).
3. Remove head restraint (Sable).
4. Remove rear seat and seat back.
5. Remove LH center body pillar inside finish panel and front door scuff plate.
6. Remove screw and pin from fuel filler door.
7. Remove three push pins and remove floor carpet support.
8. Position carpet and insulator aside.
9. Remove two screws and remove fuel filler remote release assembly.
10. Turn fuel filler remote release over and disconnect fuel filler cable.

11. Pull cable out from plastic cover holding the wire harness in place along the floor and C-pillar.
12. Pull cable from inside of luggage compartment.
13. Pull cable out of clips holding it in place behind the package tray in the luggage compartment.
14. Remove the RH luggage compartment cover assembly.
15. Remove clip holding cable to quarter panel extension.
16. Open fuel filler door.
17. Remove screw retaining door latch spring to fuel housing filler pipe assembly.
18. Disconnect spring from latch assembly.
19. Remove nut retaining latch assembly to housing.
20. Reach into luggage compartment and remove cable.
21. To install, reverse Removal procedure.



N8436-C

Item	Part Number	Description
1A	N805062-S55	Screw and Washer Assy (1 Req'd)
2	405B98	Door Assist Spring Assy
3	—	Door Assy Fuel Filler Opening
4	28610	Fuel Filler Door Latch Assy

Item	Part Number	Description
5	405C18	Door Latch Spring
6	—	Fuel Tank Filler Housing
7B	N620042-S36	Nut (1 Req'd)
8	28610	Latch Assy
A		Tighten to 2.7-3.7 N·m (24-32 Lb·In)
B		Tighten to 4-5.6 N·m (36-49 Lb·In)

(Continued)

Door Striker

Tools Required:

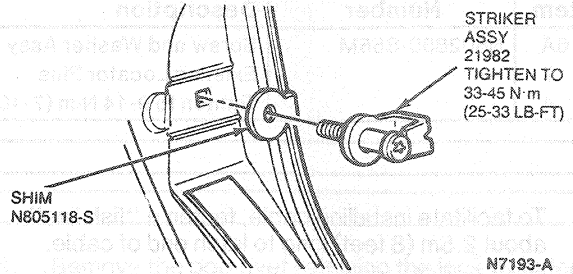
- Torx® Drive Bit Set D79P-2100-T

REMOVAL AND INSTALLATION (Continued)

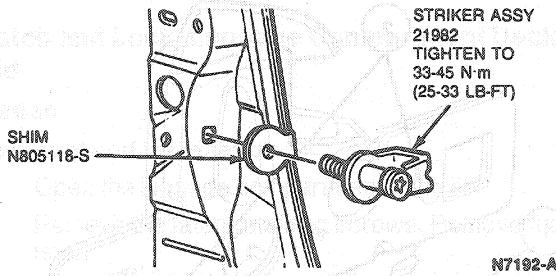
Removal and Installation

1. Remove striker and washer using correct size bit from Torx® Drive Bit Set D79P-2100-T or equivalent.
2. Install striker and washer.
3. Adjust striker as outlined.

Striker, Rear Door



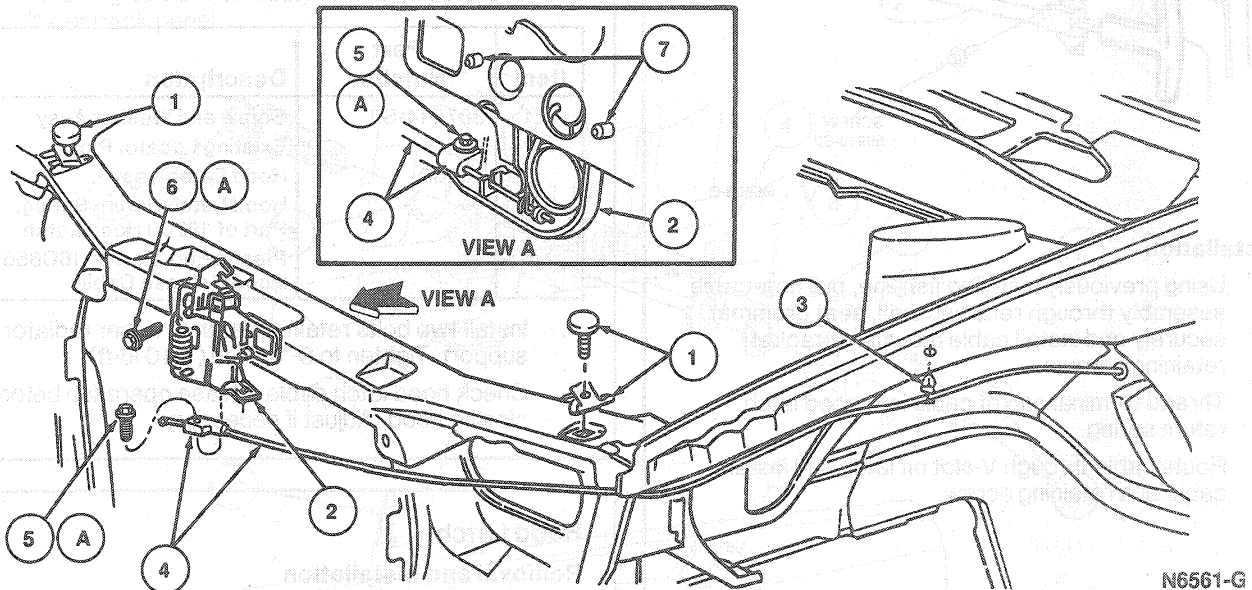
Striker, Front Door



Hood Latch Control Cable

Removal

1. From inside vehicle, release hood.
2. Remove two bolts retaining latch to upper radiator support.
3. Remove screw retaining cable end retainer to latch assembly.
4. Disengage cable by rotating out of latch return spring.



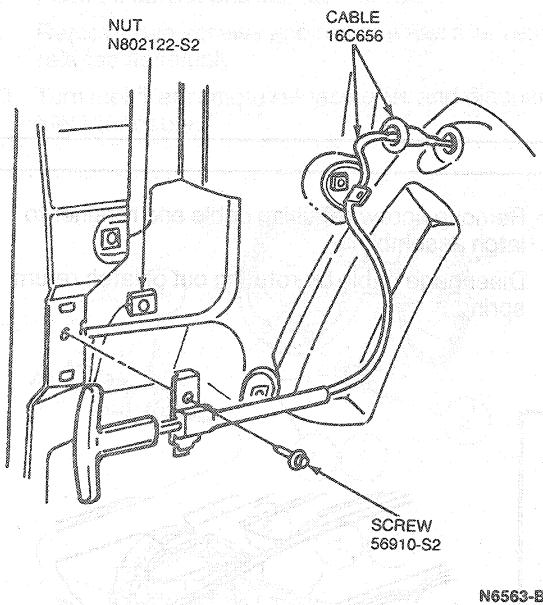
Item	Part Number	Description
1	N806044-S	Hood Bumper Assy
2	16700	Hood Latch Assy
3	382931-S	Clip
4	16C656	Hood Latch Cable Assy
5A	387514-S2	Screw and Washer Assy (1 Req'd)

(Continued)

REMOVAL AND INSTALLATION (Continued)

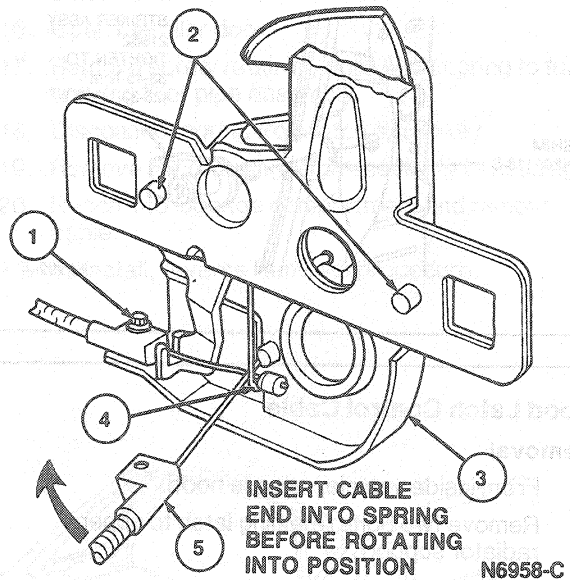
Item	Part Number	Description
6A	N802850-S55M	Screw and Washer Assy (2 Req'd)
7	—	Existing Locator Pins
A		Tighten to 9-14 N·m (7-10 Lb-Ft)

- To facilitate installing cable, fasten a "fish line" about 2.5m (8 feet) long to latch end of cable.
- From inside vehicle, unseat sealing grommet from cowl side, remove cable mounting bracket retaining screws and carefully pull cable assembly out. Do not pull fish line out.



Installation

- Using previously installed fish line, pull new cable assembly through retaining wall, seat grommet securely and install cable mounting bracket retaining screws.
- Thread terminal end of cable into hood latch return spring.
- Route cable through V-slot on latch and install cable end retaining screw.



Item	Part Number	Description
1	387514-S2	Screw and Washer Assy
2	—	Existing Locator Pins
3	16700	Hood Latch Assy
4	—	Hood Latch Return Spring, Part of 16700 Hood Latch
5	—	Plastic End, Part of 16C656 Hood Release Cable

- Install two bolts retaining latch to upper radiator support. Tighten to 9-14 N·m (7-10 lb-ft).
- Check hood latch cable release operation before closing hood. Adjust if necessary.

Hood Latch

Removal and Installation

Refer to the illustration under Hood Latch Control Cable Removal.

- From inside vehicle, release hood.
- Remove two bolts retaining latch assembly to upper radiator support.
- Remove screw retaining cable end retainer to latch assembly.
- Disengage cable by rotating out of latch return spring.

REMOVAL AND INSTALLATION (Continued)

5. To install, reverse Removal procedure. Adjust latch assembly. Tighten bolts to 9-14 N·m (7-10 lb-ft).

NOTE: Due to the conversion from single 90 degree rod to double 90 degree rod, it may be necessary to remove more parts than the instructions indicate. This action will allow more maneuverability of the rod and ease the removal process.

Latch and Lock, Luggage Compartment Deck Lid

Sedan

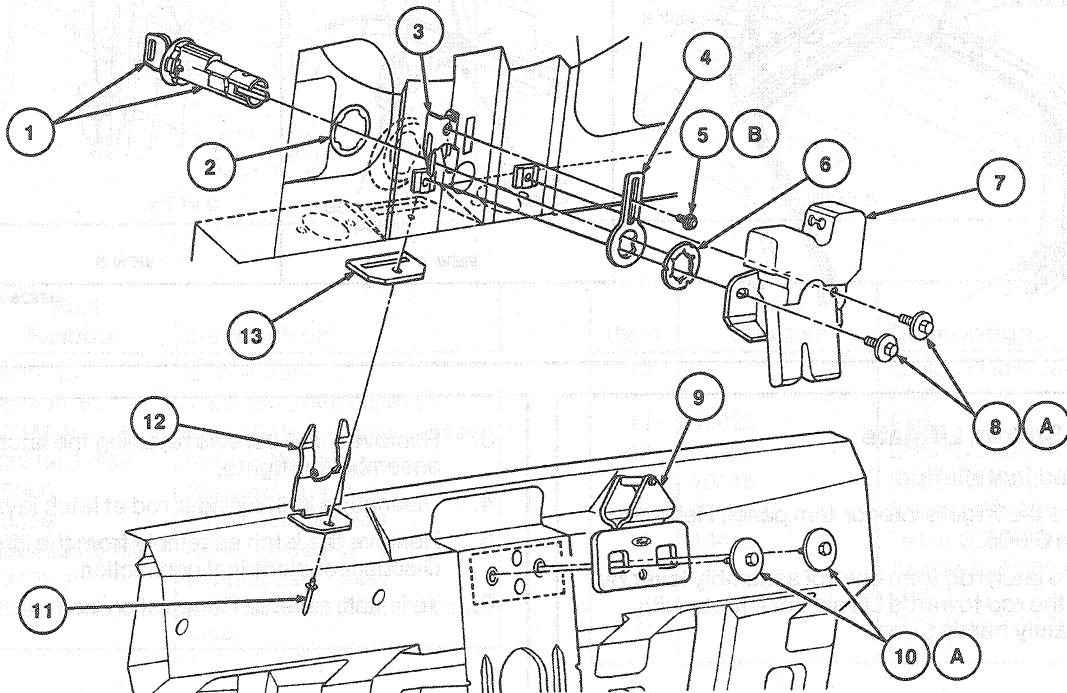
Removal and Installation

1. Open the luggage compartment deck lid.
2. Remove the latch retaining screws. Remove the latch.
3. Remove the retainer clip and lock support.
4. Remove the pop-rivet retaining the lock cylinder retainer.
5. Remove the lock cylinder retainer as the lock cylinder is removed.
6. To install, reverse Removal procedure.
7. Position the latch to the luggage compartment deck lid. Install the retaining screws and tighten to 9-14 N·m (7-10 lb-ft).
8. Adjust the striker as outlined.

Latch Striker Assembly, Luggage Compartment Deck Lid

Removal and Installation

1. Open luggage compartment deck lid.
 2. Remove two screw and washer assemblies retaining striker assembly and striker plate to lower back panel.
 3. Remove striker and plate.
 4. To install, reverse Removal procedure.
- Striker assembly may need to be adjusted by moving striker fore-or-aft or from side-to-side as necessary. Tighten two screw and washer assemblies to 9-14 N·m (7-10 lb-ft).



N9259-A

REMOVAL AND INSTALLATION (Continued)

Item	Part Number	Description
1	43505	Lock and Key Set
2	43625	Lock Cylinder Pad
3	432A48	Lock Cylinder Support Plate
4	43627	Plate
5B	N602701-S2	Screw and Washer Assy (1 Req'd)
6	40182	Clip Retainer
7	43200 43282	Latch Assy

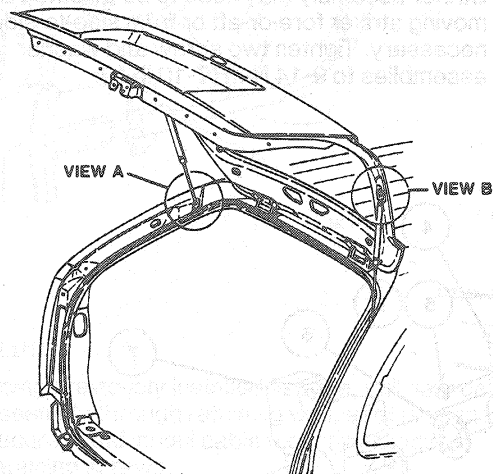
(Continued)

Item	Part Number	Description
8A	N807260-S100	Screw and Washer Assy (2 Req'd)
9	404B12	Striker Assy
10A	N802319-S36M	Screw and Washer Assy (2 Req'd)
11	375203-S	Rivet (1 Req'd)
12	43629	Lock Cylinder Retainer
13	433A28	Seal
A		Tighten to 9-14 N·m (7-10 Lb-Ft)
B		Tighten to 2.6-3.8 N·m (24-33 Lb-In)

Support Cylinder, Liftgate

Removal

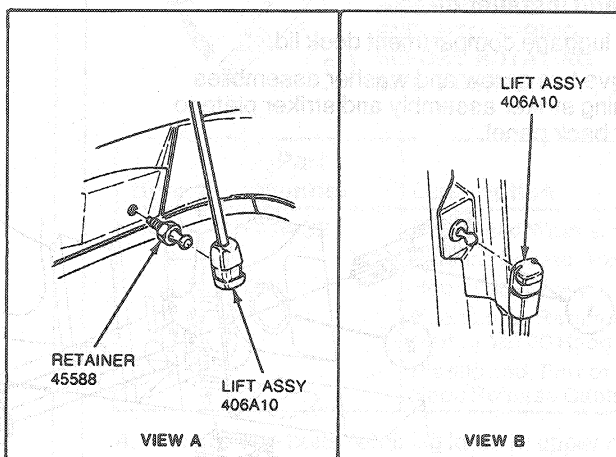
1. Open the liftgate and temporarily support it.
2. The lift cylinder end fitting is a spring-clip design and removal is accomplished by sliding a small screwdriver under it and prying up to remove from the ball stud.



3. Remove the support cylinder.

Installation

1. Install each cylinder to C-pillar and liftgate bracket ball socket by pushing the cylinder's locking wedge onto the socket.
2. Close liftgate. Check support cylinder operation.



N6628-A

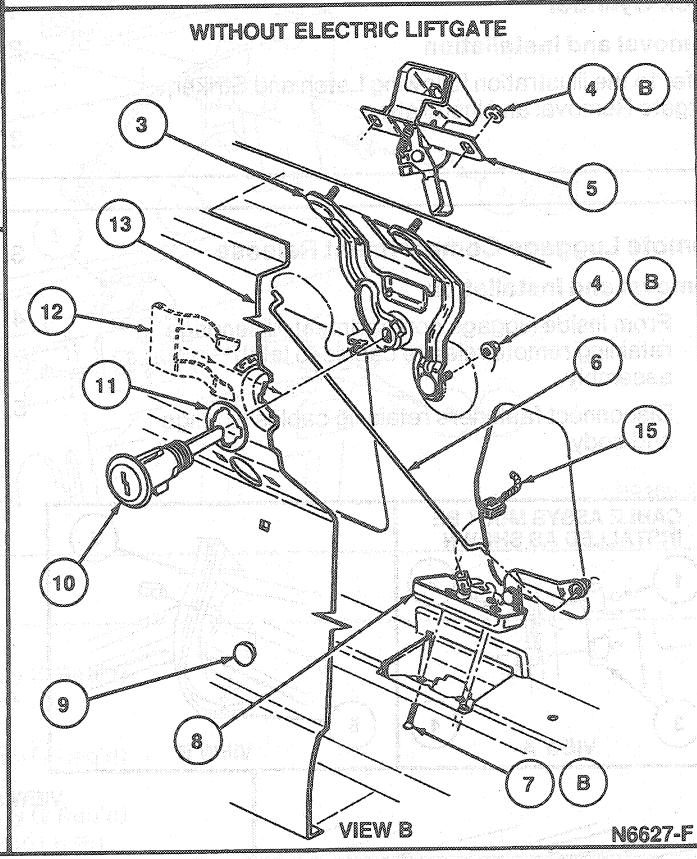
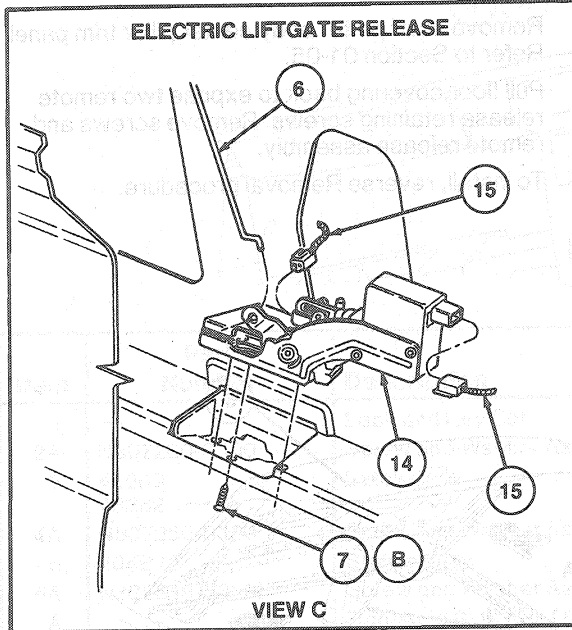
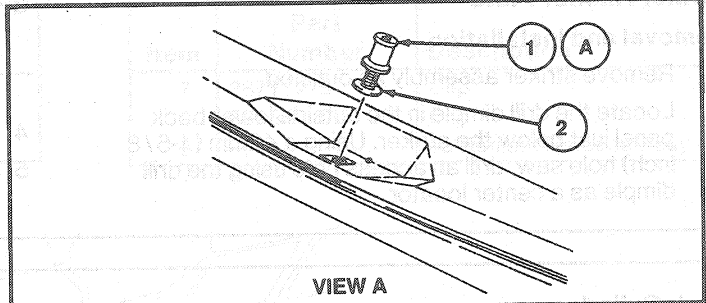
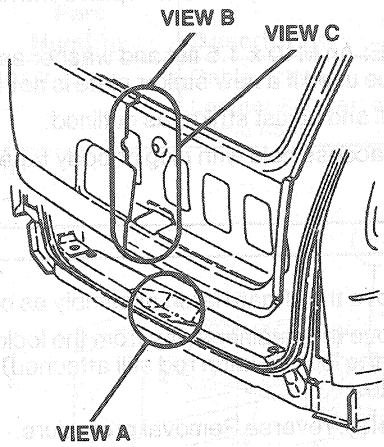
Latch and Striker, Liftgate

Removal and Installation

1. Remove the liftgate interior trim panel. Refer to Section 01-05.
2. Remove latch rod from control assembly lever by pulling the rod towards LH side of liftgate with moderately heavy force.

3. Remove three screws retaining the latch assembly to liftgate.
4. Disengage lock cylinder rod at latch lever.
5. Remove the latch assembly from the liftgate. Disconnect electrical connection.
6. To install, reverse Removal procedure.

REMOVAL AND INSTALLATION (Continued)



N6627-F

Item	Part Number	Description
1A	404B12	Striker Assy
2	351405-S2	Washer(s) (Maximum 2)
3	433A60	Latch Release Control Assy
4B	N621907-S36	Nut and Washer
5	40860	Window Latch Assy
6	43329	Latch Release Rod
7B	N804230-S100	Screw (3 Req'd)
8	43102-A	Liftgate Latch Assy
9	N804979-S	Adhesive Pad (1 Req'd Each Side)

Item	Part Number	Description
10	—	Lock Cylinder and Case Assy
11	43625	Pad
12	22023	Lock Cylinder Retainer
13	40245	Decal Instructions
14	43102-B	Electric Lift Gate Latch Assy
15	13412	To Lift Gate Wiring Harness
A		Tighten to 27-38 N-m (20-28 Lb-Ft)
B		Tighten to 7-11 N-m (5-8 Lb-Ft)

(Continued)

REMOVAL AND INSTALLATION (Continued)

Striker Anchor Plate

Removal and Installation

1. Remove striker assembly as outlined.
2. Locate the drill dimple in the outside lower back panel just below the striker. Using a 42mm (1-5/8 inch) hole saw, drill an access hole using the drill dimple as a center locator.

3. Remove anchor plate and replace with a new one.

NOTE: An M10 x 1.5 nut and washer assembly can be used if a new striker plate is not available.

4. Install and adjust striker as outlined.
5. Seal access hole with plug or body tape.

Lock Cylinder

Removal and Installation

Refer to the illustration following Latch and Striker, Liftgate Removal and Installation.

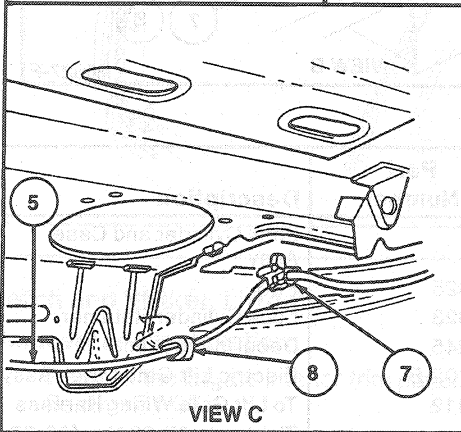
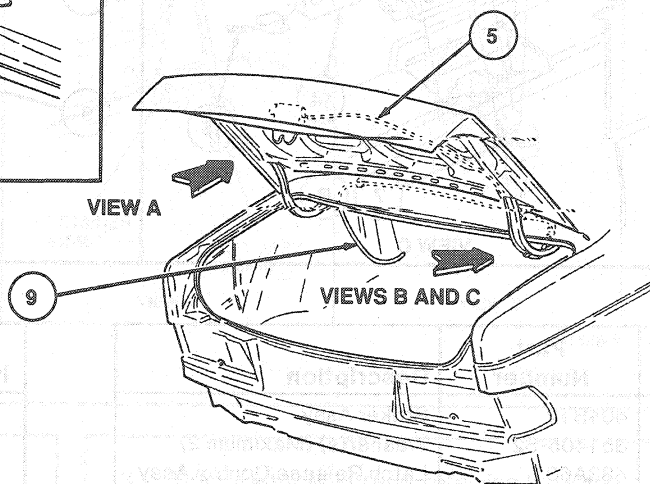
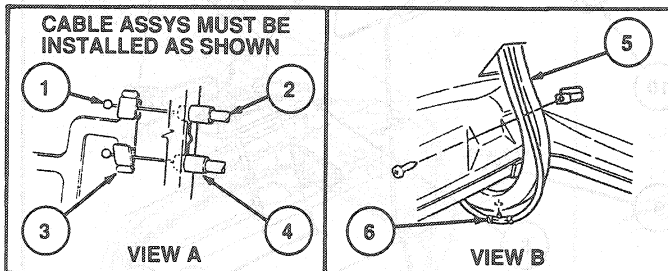
1. Remove the liftgate latch assembly as outlined.
2. Remove the retainer away from the lock cylinder (with the lock-to-latch rod still attached) from the liftgate.
3. To install, reverse Removal procedure.

Remote Luggage Compartment Release

Removal and Installation

1. From inside luggage compartment, disengage retaining remote release cables to latch assembly.
2. Disconnect fasteners retaining cables to hinge and body.

3. Remove scuff plate/body center pillar trim panel. Refer to Section 01-05.
4. Pull floor covering back to expose two remote release retaining screws. Remove screws and remote release assembly.
5. To install, reverse Removal procedure.



N6633-G

Item	Part Number	Description
1	—	Top Clip
2	—	Manual Release Cable

(Continued)

Item	Part Number	Description
3	—	Bottom Clip
4	—	Release Solenoid Cable

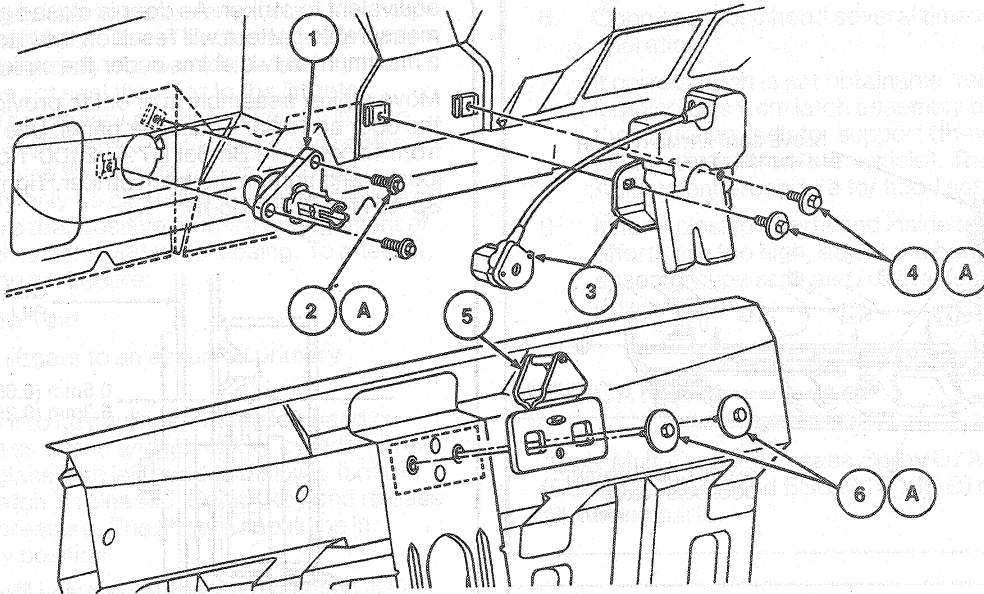
(Continued)

REMOVAL AND INSTALLATION (Continued)

Item	Part Number	Description
5	40180	Cable Assy
6	—	Locator Pin, Part of 40180 Cable Assy

(Continued)

Item	Part Number	Description
7	387772-S	Clip
8	382931-S	Clip
9	—	To Remote Release Assy



N9260-A

Item	Part Number	Description
1	—	Lock and Key Set
2A	N807260-S100	Screw and Washer Assy (2 Req'd)
3	43200 43282	Latch Assy
4A	N807260-S100	Screw and Washer Assy (2 Req'd)
5	404B12	Striker Assy
6A	N802319-S36M	Screw and Washer Assy (2 Req'd)
A		Tighten to 9-14 N-m (7-10 Lb-Ft)

Luggage Compartment Remote Control Cable and Latch

Removal and Installation

1. Remove LH package tray speaker cover in luggage compartment (Sable only).
2. Remove rear seat head restraints, rear seat cushion and rear seat back. Refer to Section 01-10.
3. Remove LH center body pillar trim panel and front door scuff plate. Refer to Section 01-05.
4. Remove fuel filler cover retaining screw and push pin. Remove cover.
5. Roll back carpet and insulator.

6. Remove three push pins retaining carpet support and remove support.
7. Remove remote filler door and luggage compartment release assembly retaining screws.
8. Disconnect luggage compartment release cable. Pull cable out from harness cover along C-pillar.
9. From luggage compartment, pull cable through and remove cable from clips in luggage compartment and on RH hinge.
10. Remove latch retaining screw and remove cable from latch. Pull cable out from in between deck lid inner and outer panels.
11. To install, reverse Removal procedure.

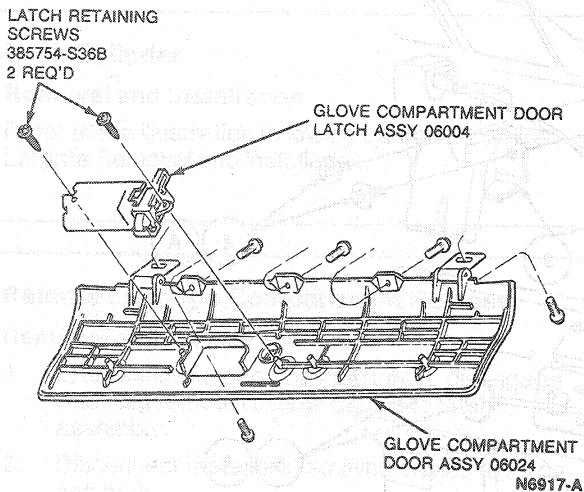
REMOVAL AND INSTALLATION (Continued)

Glove Compartment Latch and Lock

Latch

Removal and Installation

To remove latch, remove glove compartment door screws to remove bin and latch retaining screws. To remove door catch, remove bolt. Reverse procedures to install.



Lock

Removal

1. Insert key in cylinder and rotate cylinder approximately 45 degrees from the UNLOCK position.
NOTE: If key is not available, use a small screwdriver to depress lock tumblers from rear and rotate cylinder.
2. Apply pressure to outside of key cylinder and pry two retaining tabs away from cylinder to release.
3. After releasing retaining tabs, pull cylinder outward approximately 10mm (3/8 inch). Rotate cylinder to UNLOCK position and remove key.
4. Remove cylinder from latch assembly.

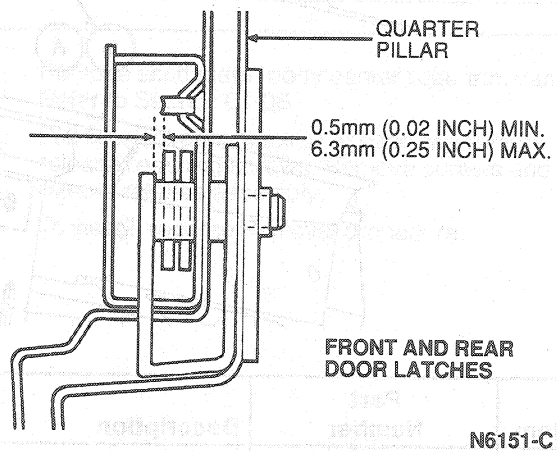
Installation

1. Position cylinder into latch assembly rotated approximately 45 degrees from UNLOCK position.
2. Push cylinder in all the way until retaining tabs snap into place.
3. Rotate cylinder to UNLOCK position.

The striker pin can be adjusted laterally and vertically as well as fore-and-aft. **The latch striker should not be adjusted to correct door sag.**

The latch striker should be shimmed to get the clearance shown between the striker and the latch. To check this clearance, clean latch jaws and striker area. Apply a thin layer of dark grease such as Premium Long-Life Grease XG-1-C (ESA-M1C75-B) or equivalent to striker. As door is closed and opened, a measurable pattern will result on the latch striker. Use a maximum of two shims under the striker.

Move striker assembly in or out to provide a flush fit at the door and pillar or quarter panel. Use correct bit from Torx® Drive Bit Set D79P-2100-T or equivalent to loosen and tighten the latch striker. Tighten striker to 33-45 N-m (25-33 lb-ft).



Striker, Liftgate Latch

Tools Required:

- Torx® Drive Bit Set D79P-2100-T

Before adjusting the striker, open and close the liftgate to double-check the striker alignment.

NOTE: Do not try to correct a poor liftgate alignment with a latch striker adjustment.

Loosen striker with correct bit from Torx® Drive Bit Set D79P-2100-T or equivalent. Move striker fore-or-aft, or from side-to-side as necessary. Tighten striker to 9-14 N-m (7-10 lb-ft).

ADJUSTMENTS

Door Latch Striker

Tools Required:

- Torx® Drive Bit Set D79P-2100-T

ADJUSTMENTS (Continued)

Latch, Liftgate

The wagon liftgate latch has double-bolt construction, with both a primary and secondary position. It is important that any adjustment be checked to ensure that the latch will secure in both the primary and secondary position after adjustment. The latch is non-adjustable. All movement for adjustment is accomplished in the striker which has a 5.5mm (7/32 inch) radial range. This latch system has a two-position latching system. The closing latch cycle consists of a secondary position which latches the liftgate but does not seal the door to the liftgate weatherstrip. The primary position holds the liftgate firmly into the weatherstrip. Water leaks and rattles may occur because the liftgate appears closed. However, it may only be closed to the secondary (first) position. Be sure that positive primary engagement of the liftgate latch is achieved upon closing. To check it, use the following procedure:

Latch Function Test

1. Close the liftgate to an assumed primary condition.
2. Insert key into key cylinder. Place left hand on liftgate glass above and left of key cylinder. Press firmly on glass with left hand and slowly turn the key until latch is released. Return key and release left hand pressure. The liftgate should be in secondary position.

This test will ensure that the latch function is OK in both primary and secondary positions.

3. If performing the above test shows that the liftgate will not close to primary position, adjust the striker rearward (to rear of vehicle) so that positive primary engagement is obtained upon closing liftgate.

Latch, Luggage Compartment

The latch assembly is not adjustable. Only the striker can be adjusted up-and-down and side-to-side.

Hood Latch

Before adjusting the hood latch mechanism, ensure the hood is properly aligned. The hood latch can be moved from side-to-side to align it with the opening in the hood inner panel and up and down to obtain a flush fit with the front fenders.

1. Loosen hood latch retaining bolts in radiator support until they are just loose enough to move latch from side-to-side.
2. Move latch from side-to-side to align it with opening in hood.
3. Loosen locknuts on two hood bumpers. Lower bumpers.

4. Move hood latch up or down as required to obtain flush fit between top of hood and fenders when upward pressure is applied to front of hood. Secure hood latch retaining screws to 9-14 N-m (7-10 lb-ft).
5. Raise two hood bumpers to eliminate any looseness at front of hood when closed. Secure hood bumper locknuts.
6. Open and close hood several times to check operation.
7. If correct latch is not obtainable, remove 2 locating pins from latch assembly by tapping them into the radiator support (they will eventually fall from the vehicle). Then follow Adjustment procedure for hood setting.
8. If hood closing efforts and inside hood release efforts are too high, adjust the hood latch assembly upwards and / or the hood bumpers downwards.

LUBRICATION

Apply Multi-Purpose Grease Spray D7AZ-19584-AA (ESR-M1C159-A and ESB-M1C106-B) or equivalent to all moving parts.

Hood and Deck Lid Latches—Lubricant

Multi-Purpose Grease Spray D7AZ-19584-AA (ESR-M1C159-A and ESB-M1C106-B)

Use this lubricant on deck lid latches. The hood latch and auxiliary latch should be checked every six months.

Lock Cylinder Lubricant

Lock Lubricant D8AZ-19587-AA (ESB-M2C20-A)

Use this lubricant to eliminate sticking or binding of all key lock cylinders.

SPECIFICATIONS

TORQUE SPECIFICATIONS

Description	N-m	Lb-Ft
Striker Retaining Screw	9-14	7-10
Latch Retaining Screws (Sedan)	9-14	7-10
Latch Retaining Screws (Wagon)	7-11	5-8
Hinge-to-Liftgate Retaining Screws	7-11	5-8
Hinge-to-Deck Lid Retaining Screws	9-14	7-10
Hinge-to-Roof Frame Retaining Screw	17-27	12.5-20

(Continued)

SPECIFICATIONS (Continued)

TORQUE SPECIFICATIONS (Cont'd)

Description	N-m	Lb-Ft
Latch-to-Radiator Support	9-14	7-10
Hood Pivot Nut	22-34	17-25
Hinge-to-Body Retaining Bolts	22-34	17-25
Hinge-to-Hood Retaining Bolts	22-34	17-25
Latch Striker	33-45	25-33
Hinge Retaining Bolts / Nuts	25-35	18-26
Plunger Assy Locknut	3.4-6.1	31-53 (Lb-in)
Lock Cylinder Support Screw	2.6-3.8	24-33 (Lb-in)
Door Latch Screws	4-8	3-6

SPECIAL SERVICE TOOLS

Tool Number	Description
D79P-2100-T	Torx®Drive Bit Set
D80L-23200-A	Heavy Duty Riveter

ROTUNDA EQUIPMENT

Model	Description
007-00001	Digital Volt-Ohmmeter

the latch is achieved upon closing. To check if use the following procedure:

1. Close the liftgate to an assumed primary position.
 2. Insert key into key cylinder. Push left hand on liftgate glass above and below key cylinder. Press left hand on glass with left hand and slowly turn the key until latch is released. The plunger should be in left hand position.
 3. This test will ensure that the latch function is OK in both primary and secondary positions.
- If performing the above test shows that the liftgate will not close to primary position, adjust the striker (see "Test of Vehicle") so that positive primary engagement is obtained upon closing liftgate.

Latch, Luggage Compartment
The latch assembly is not adjustable. Only the spring can be adjusted up and down (see "Adjusting Latch, Luggage Compartment").

Hood Latch
Before adjusting the hood latch mechanism, ensure the hood is properly aligned. The hood latch can be moved forward or backward with the opening of the hood inward until it is up and down to align with the front latches.

1. Loosen hood latch retaining bolts in radiator support until they are just loose enough to move latch from side-to-side.
2. Move latch from side-to-side to align it with opening in hood.
3. Loosen locknuts on two hood plunger lower plungers.

Apply Multi-Purpose Grease (GATZ-16824-AA) (ESP-100-A and ESP-MC-100-B) or equivalent to following parts:

Hood and Back Lid Latches—Liftgate
Identify the Grease (GATZ-16824-AA) (ESP-100-A and ESP-MC-100-B) points. Use the lubricant on deck lid latches. Lubrication and sufficient lubrication should be checked every 24 months.

Lock Cylinder Lubrication—Liftgate
Use the lubricant to lubricate and clean all key lock cylinders.

SPECIFICATIONS

Description	N-m	Lb-Ft
Striker Retaining Screw	9-14	7-10
Latch Retaining Bolts (Bracket)	9-14	7-10
Latch Retaining Bolts (Wagon)	9-14	7-10
Hinge-Liftgate Retaining Bolts	22-34	17-25
Hinge-to-Deck Lid Retaining Bolts	22-34	17-25
Striker	33-45	25-33
Latch-to-Radiator Support	9-14	7-10

(Continued)