

SECTION 01-10A Seats and Tracks

SUBJECT	PAGE	SUBJECT	PAGE
ADJUSTMENTS.....	01-10A-32	REMOVAL AND INSTALLATION (Cont'd.)	
DESCRIPTION AND OPERATION		Seat Back, Auxiliary—Wagon.....	01-10A-21
Circuit Protection.....	01-10A-1	Seat Back, Front.....	01-10A-22
Head Restraints.....	01-10A-2	Seat Back, Rear—Split Folding.....	01-10A-16
Load Floor Extension (Picnic Tray)—Optional.....	01-10A-3	Seat Control Switch.....	01-10A-13
Rear Facing Third Seat (Optional).....	01-10A-2	Seat Cushion Trim Cover, Front.....	01-10A-26
Recliner, Manual.....	01-10A-2	Seat Cushion Trim Cover, Rear.....	01-10A-28
Seat Track, Manual.....	01-10A-1	Seat Cushion, Auxiliary—Wagon.....	01-10A-21
Seat, 6-Way Power.....	01-10A-1	Seat Cushion, Rear—Sedan.....	01-10A-13
Wagon Second Seats.....	01-10A-2	Seat Cushion, Rear—Wagon.....	01-10A-15
DIAGNOSIS.....	01-10A-4	Seat Track, 6-Way Power.....	01-10A-7
REMOVAL AND INSTALLATION		Seat, Front—Center Armrest Cover.....	01-10A-30
Head Restraint, Front Seat.....	01-10A-22	Seat, Rear—Center Armrest Cover.....	01-10A-31
Rack-and-Pinion Drive.....	01-10A-13	Seats, Bucket and Split Bench—Manual.....	01-10A-6
Seat Back Latch, Rear—Wagon.....	01-10A-17	SPECIAL SERVICE TOOLS.....	01-10A-33
Seat Back Rest, Rear—Sedan.....	01-10A-14	SPECIFICATIONS.....	01-10A-32
Seat Back Trim Cover, Front.....	01-10A-24	TESTING	
Seat Back Trim Cover, Rear.....	01-10A-29	Power Seat.....	01-10A-3
		VEHICLE APPLICATION.....	01-10A-1

VEHICLE APPLICATION

Taurus/Sable.

DESCRIPTION AND OPERATION

Seat Track, Manual

The seat release handle is located at the front of the seat. Pulling the seat release handle allows forward or rearward movement of the seat assembly.

Manual seat tracks are retained to the floorpan by studs with nut and washer assemblies at both rear positions and at the front outboard position. A flange head bolt is used on the front inboard position. Nuts and bolts retaining the seat tracks are removed from inside the vehicle. Seat trim replacement requires removal and installation of seat components such as seat tracks, assemblies and head restraints as outlined.

Seat, 6-Way Power

The optional 6-way power seat system uses a screw-type drive for seat adjustment.

The 6-way power seat provides horizontal, vertical and tilt adjustments. It consists of a reversible armature motor, switch and housing assembly, vertical screw and horizontal screw drives.

The mechanical portion of the seat track in the horizontal drive consists of a rack-and-pinion on each track with a transmission on the inboard side. When the switch is actuated, the front armature is energized and the horizontal drive units are activated. The seat is then moved forward or rearward by the pinion gears traveling in a rack on each lower track section.

The motor and transmission are serviced only as an assembly.

The switch and housing assembly is serviced separately.

Circuit Protection

The power seat circuit is protected by a circuit breaker mounted in the fuse panel.

DESCRIPTION AND OPERATION (Continued)

Head Restraints

Each front seat is equipped with a dual post design, 2-way or 4-way head restraint. The 4-way head restraint is capable of a 60 degree rotation from normal position by grasping head restraint and pulling forward on top surface. The guide sleeves are retained in the seat back by self-contained, integrally moulded ribs and contain a removable spring that permits the positioning of the head restraint.

Recliner, Manual

With the seat back recliner system, the seat back is reclined rearward for optimum occupant comfort. The reclining seat back is adjusted by a release handle on the outboard side of the seat cushion. To recline the seat back, pull and lift the handle upward, push the seat back to the desired position and release the handle. Spring action will return the seat back to its full-up position when the handle is lifted and occupant back pressure is removed.

If the recliner assembly is removed for any reason, it must be reinstalled as outlined. Tighten all retaining screws as outlined.

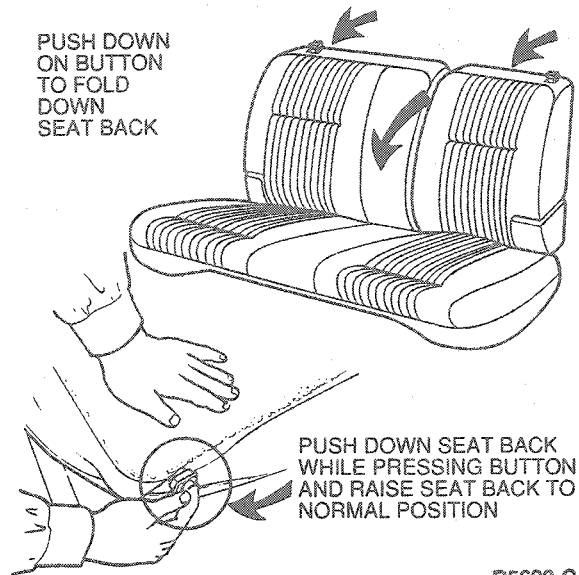
If a recliner assembly or component is non-functional or damaged, the entire recliner assembly must be replaced. The recliner assembly is a modular design and the individual components cannot be serviced or replaced independently.

Wagon Second Seats

The seat backs on the second seat are split (60/40) and operate independently of each other. To fold a seat back to the cargo position, push down on the button located on the top outboard corner of the seat back and rotate seat back forward until seat back locks in the cargo floor position. To return seat back to the upright (seating) position, push down on the seat back and hold in this position while pressing the release button, followed by raising the seat back to the normal upright position. Make sure the seat back is latched in the upright position.

WARNING: IF THE SECOND SEAT BACK OR OPTIONAL THIRD SEAT BACK IS NOT SECURELY LATCHED, PASSENGERS OR OBJECTS COULD BE THROWN AND INJURY COULD OCCUR IN THE EVENT OF A SUDDEN STOP OR COLLISION.

PUSH DOWN
ON BUTTON
TO FOLD
DOWN
SEAT BACK



PUSH DOWN SEAT BACK
WHILE PRESSING BUTTON
AND RAISE SEAT BACK TO
NORMAL POSITION

R5690-C

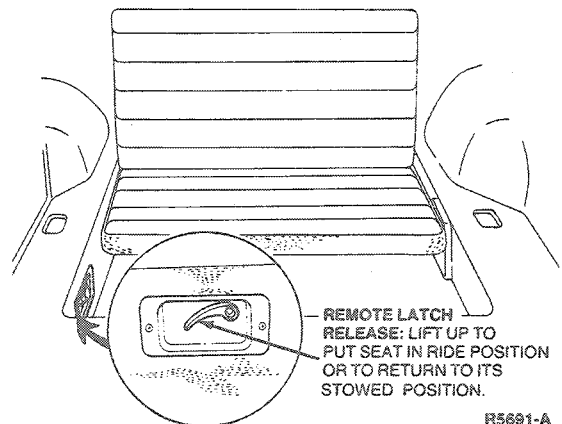
Rear Facing Third Seat (Optional)

NOTE: Before folding down the seat back to make a flat cargo floor, place the safety belt buckles in the opening between the cushion and seat back.

The wagon third seat is a rear facing seat with a movable cushion. The seat back folds on top of the cushion and a second panel hinged to the top of the seat folds again to provide a flat load floor.

To open the seat, lift up the handle in the load floor and fold the load floor panel forward in the vehicle. Then lift up the remote latch release located on the LH side of the load floor and fold the remaining load floor panel forward in the vehicle. Check to see that the seat back is latched in the upright position.

To return the seat to its stowed position, lift up the remote latch release handle and pull the seat back down to the load floor position. The remaining portion of the open load floor panel can be lowered into its initial load floor position.



REMOTE LATCH
RELEASE: LIFT UP TO
PUT SEAT IN RIDE POSITION
OR TO RETURN TO ITS
STOWED POSITION.

R5691-A

DESCRIPTION AND OPERATION (Continued)

Load Floor Extension (Picnic Tray)—Optional

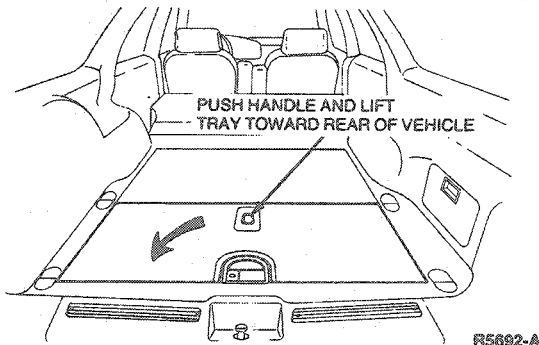
This is a moulded tray that folds out of the rear load floor and provides an extended load floor surface which hangs out over the bumper.

CAUTION: This picnic tray was designed to carry a maximum load of 60 lbs (27 Kg). Do not apply a load in excess of 60 lbs (27 Kg). Before storing, tray legs must be folded into the stowed position.

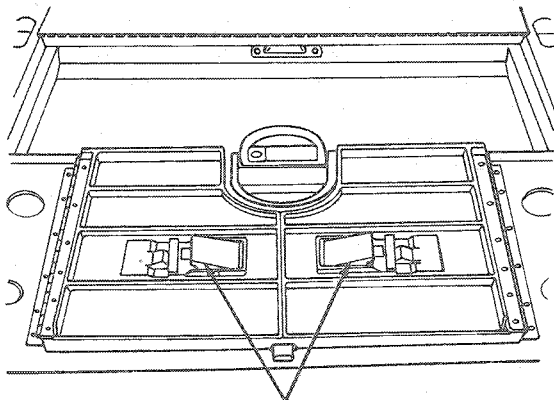
Operating Instructions

Prior to opening the picnic tray make sure that the rear load floor latch is engaged.

1. To open the picnic tray push the latch handle in the direction of the arrow and lift the tray toward the rear of the vehicle.

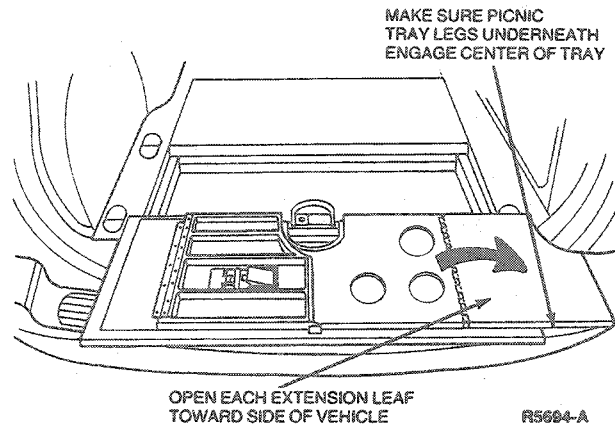


2. Open each extension leaf by rotating 180 degrees toward the sides. Lift each leg to a vertical position. Make sure that each leg engages the center portion of the picnic tray. The legs should lay on the bumper step pad.



KEEP BOTH PICNIC TRAY LEGS IN CLOSED POSITION

R5693-A



OPEN EACH EXTENSION LEAF TOWARD SIDE OF VEHICLE

R5694-A

TESTING**Power Seat****Switch Test****Tools Required:**

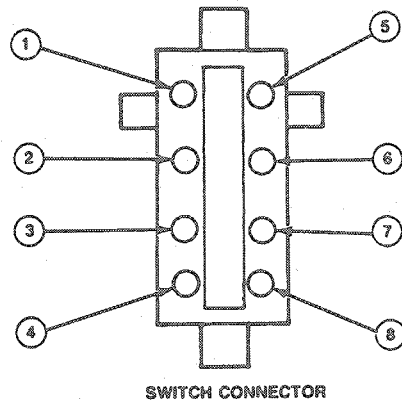
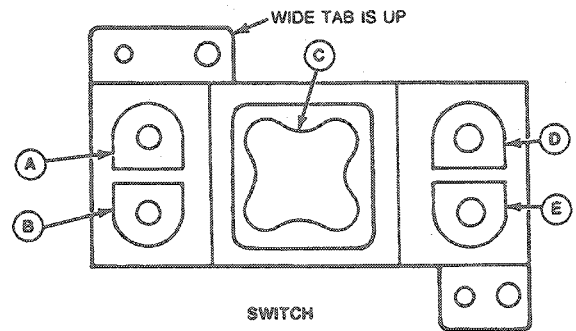
- Rotunda Digital Volt Ohmmeter 007-0000 1

Test switch with a self-powered test lamp or ohmmeter such as Rotunda Digital Volt Ohmmeter 007-0000 1 or equivalent when the switch is disconnected from the wiring.

1. With all switch knobs in the NEUTRAL position, there should be continuity between terminals 1, 3, 4, 5, 6, 7 and 8. Terminal 2 should be disconnected from all others.
2. With switch knob A depressed, there should be continuity between terminals 1, 3, 4, 6 and 8 and terminals 2 and 7.
3. With switch knob B depressed there should be continuity between terminals 1, 3, 4, 6, 7 and 8 and terminals 2 and 5.
4. With switch knob C pushed up there should be continuity between terminals 1, 2 and 7 and terminals 3, 4, 5, 6 and 8.
5. With switch knob C pushed down there should be continuity between terminals 1, 3, 4, 7 and 8 and terminals 2, 5 and 6.
6. With switch knob C pushed to the right there should be continuity between terminals 1, 4, 5, 6, 7 and 8 and terminals 2 and 3.
7. With switch knob C pushed to the left there should be continuity between terminals 1, 3, 4, 5, 6 and 7 and terminals 2 and 8.
8. With switch knob D depressed there should be continuity between terminals 1 and 2 and terminals 3, 4, 5, 6, 7 and 8.
9. With switch knob E depressed there should be continuity between terminals 1, 3, 4, 5, 7 and 8 and terminals 2 and 6.

TESTING (Continued)

10. If any part of the switch fails to test as outlined, replace the entire switch assembly.



R4302-A

DIAGNOSIS

Refer to the following diagnosis charts for conditions encountered in the power seat system.

PINPOINT TEST A: POWER SEAT MOVES—NOISY OPERATION

TEST STEP		RESULT	ACTION TO TAKE
A1	VERIFY CONDITION		
	<ul style="list-style-type: none"> ● Operate power seat and listen for noise. ● Is there noise present? 	Yes No	Power seat OK. REPLACE motor and transmission assembly.

TR6589C

PINPOINT TEST B: POWER SEAT MOVES BUT IS LOOSE

TEST STEP		RESULT	ACTION TO TAKE
B1	VERIFY CONDITION		
	<ul style="list-style-type: none"> ● Operate power seat and check for looseness. ● Is power seat loose? 	Yes No	TIGHTEN all attachment hardware. GO to B2. Power seat OK.
B2	CHECK SEAT OPERATION		
	<ul style="list-style-type: none"> ● Check if loose condition has been corrected. ● Has looseness been corrected? 	Yes No	Power seat OK. REPLACE track assembly.

TR3539D

DIAGNOSIS (Continued)

PINPOINT TEST C: POWER SEAT DOES NOT MAKE FULL TRAVEL

TEST STEP		RESULT	ACTION TO TAKE
C1	VERIFY CONDITION		
	<ul style="list-style-type: none"> ● Operate power seat and verify that seat mechanism does not make full travel. ● Does mechanism make full travel? 	Yes No	Power seat OK. GO to C2.
C2	TRACK OBSTRUCTION		
	<ul style="list-style-type: none"> ● Check for an obstruction in track mechanism. ● Is mechanism obstructed? 	Yes No	Remove obstruction, GO to C1. GO to D1.

TR3540F

PINPOINT TEST D: TRACK DOES NOT MOVE HORIZONTALLY AND/OR VERTICALLY

TEST STEP		RESULT	ACTION TO TAKE
D1	VERIFY CONDITION		
	<ul style="list-style-type: none"> ● Operate power seat and verify condition. ● Is power seat functional? 	Yes No	Power seat OK. GO to D2.
D2	POWER CHECK		
	<ul style="list-style-type: none"> ● Disconnect motor leads from harness. Check for voltage at power seat harness when switch is activated. ● Is voltage present? 	Yes No	REMOVE and REPLACE motor and transmission assembly. REPEAT Step D1. GO to D3.
D3	TEST POWER SEAT SWITCH		
	<ul style="list-style-type: none"> ● Test power seat switch. ● Is switch functional? 	Yes No	GO to D4. REPLACE switch assembly. REPEAT Step D1.
D4	CHECK MOTOR GROUND CONNECTIONS		
	<ul style="list-style-type: none"> ● Check power seat motor for tight ground connections. ● Are ground connections tight? 	Yes No	CHECK for damaged connectors, shorts or open circuit. SERVICE as necessary. REPEAT Step D1. TIGHTEN ground connection. REPEAT Step D1.

TR6590C

PINPOINT TEST E: POWER SEAT MOTOR DIAGNOSIS

TEST STEP		RESULT	ACTION TO TAKE
E1	CHECK MOTOR OPERATION		
	<ul style="list-style-type: none"> ● Disconnect leads from motor. ● Connect jumper wires from battery positive and negative to motor terminals. ● Motor should operate in one direction. ● Does motor operate in one direction? 	Yes No	GO to E2. REPLACE motor.
E2	REVERSE JUMPER WIRES		
	<ul style="list-style-type: none"> ● Reverse jumper wires to motor. ● Motor should operate in opposite direction. ● Does motor operate in opposite direction? 	Yes No	Motor OK. Concern is elsewhere in system. REPLACE motor.

TR3576B

REMOVAL AND INSTALLATION

Seats, Bucket and Split Bench—Manual

Removal

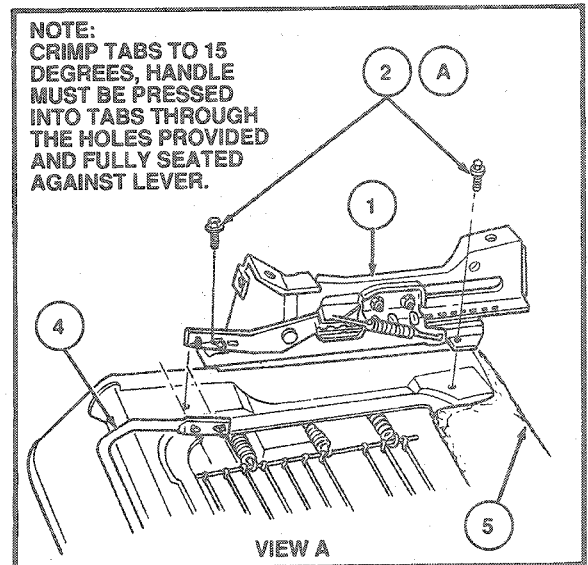
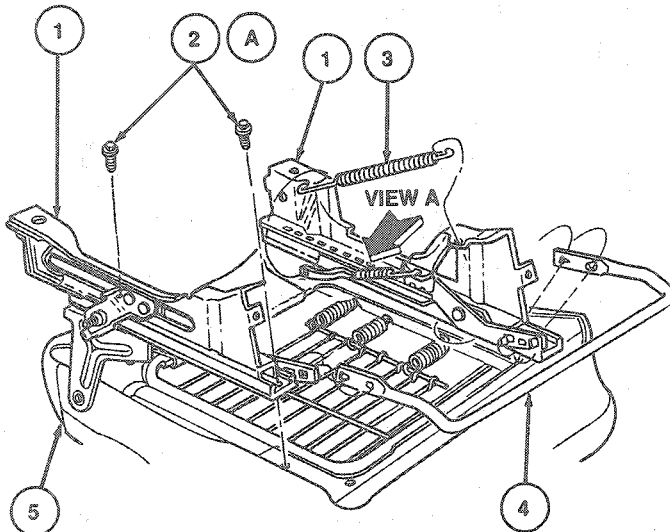
1. Remove plastic track shields retaining rivets and remove shields.
2. Remove bolt and nuts retaining seat tracks to floor. Move seat full forward to release assist spring.

CAUTION: Use care when handling seat and track assembly. Dropping assembly or sitting on seat not secured in vehicle may result in damaged components.

3. Remove seat and track assembly from vehicle and place on a clean work area.
4. Remove seat track-to-seat cushion retaining screws. Remove seat cushion and assist spring from tracks.
5. Remove seat track release handle.
6. If seat tracks are being replaced, transfer track release handle and assist spring to new assembly.

Installation

1. Mount seat tracks to seat cushion.
2. Install release handle to tracks.
3. Install seat tracks-to-seat cushion retaining screws. Tighten to 17-23 N·m (13-17 lb-ft).
4. Move both seat track pedestals to full rearward and install assist spring on outboard side.
5. Place seat assembly into vehicle and install the seat over the three studs. Move the seat full back making sure both sides lock.
6. Install front inboard bolt and then the front outboard nut. Tighten to 17-23 N·m (13-17 lb-ft). Slide seat full forward making sure both sides lock.
7. Install outboard and inboard rear nuts. Tighten inboard nut to 68-92 N·m (50-68 lb-ft) and outboard nut to 17-23 N·m (13-17 lb-ft). Ensure both latches operate properly.
8. Install plastic track shields and retaining rivets.

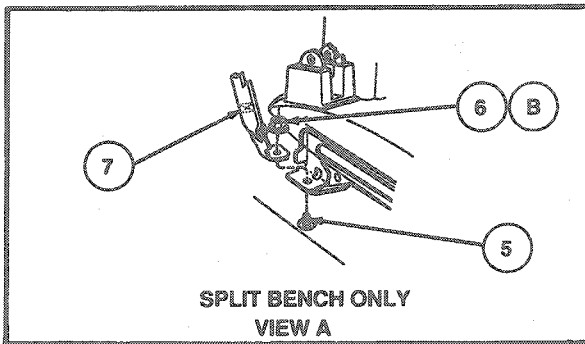
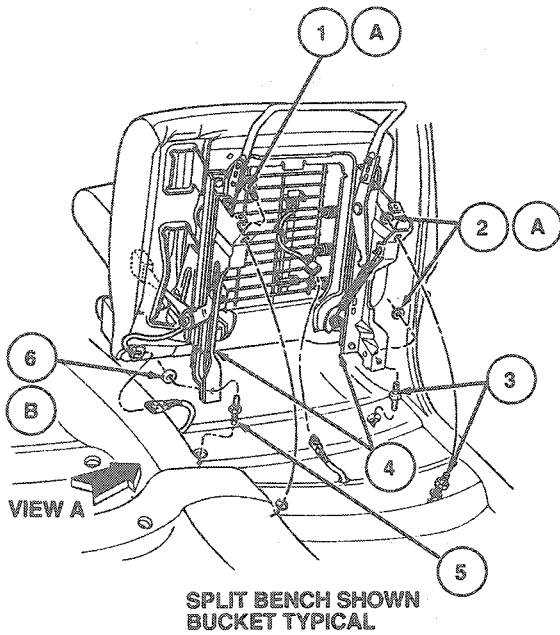


R4171-F

Item	Part Number	Description
1	618B47 (Inboard) 618B46 (Outboard)	Track Assy
2A	N801078-S58	Track-to-Seat Retaining Screw (4 Req'd Each Seat)
3	61828	Seat Track Assist Spring
4	61755	Front Seat Track Adjustment Handle
5	63100	Spring Assy—Front Seat Cushion
A		Tighten to 17-23 N·m (13-17 Lb-Ft)

TR4171F

REMOVAL AND INSTALLATION (Continued)



R7016-C

Item	Part Number	Description
1A	N802188-S58	Bolt
2A	N800251-S58	Nut (2 Req'd Each Seat)
3	N802863-S2	Outboard Stud (2 Req'd Each Seat)

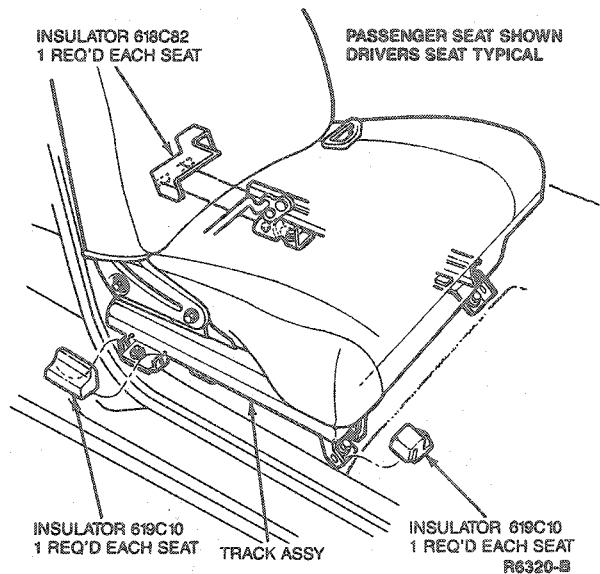
(Continued)

Item	Part Number	Description
4	—	Seat Track
5	N802351-S2	Stud
6B	N621945-S58	Nut (1 Req'd Each Seat)
7	—	Safety Belt Assy
A		Tighten to 17-23 N·m (13-17 Lb-Ft)
B		Tighten to 68-92 N·m (50-68 Lb-Ft)

Seat Track, 6-Way Power

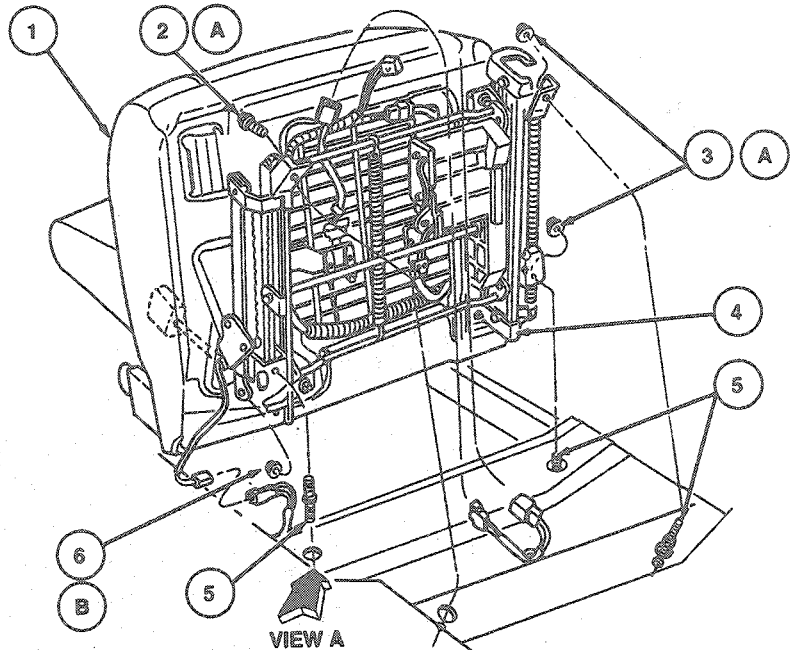
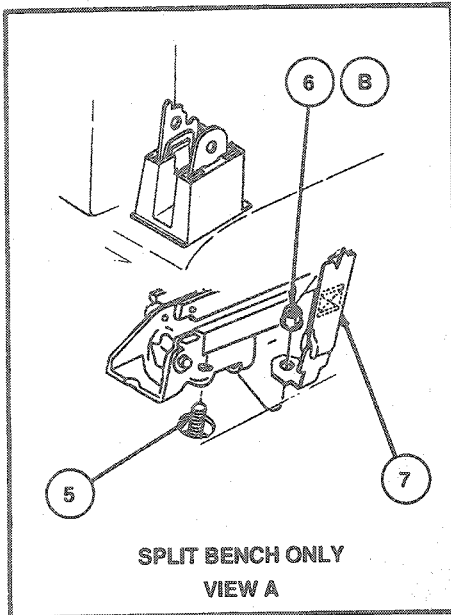
Removal

1. Remove insulator covers to expose nuts and washers and / or bolts.



2. Remove nuts and washers and bolts retaining the seat and track assembly to the floorpan.

REMOVAL AND INSTALLATION (Continued)



SPLIT BENCH SHOWN
BUCKET TYPICAL

R4309-F

Item	Part Number	Description
1	63100	Front Seat Cushion Assy
2A	N802188-S58	Bolt (1 Req'd Each Seat)
3A	N800251-S58	Nut (2 Req'd Each Seat)
4	—	Seat Track Assy
5	N802063-S2	Stud (3 Req'd Each Seat)

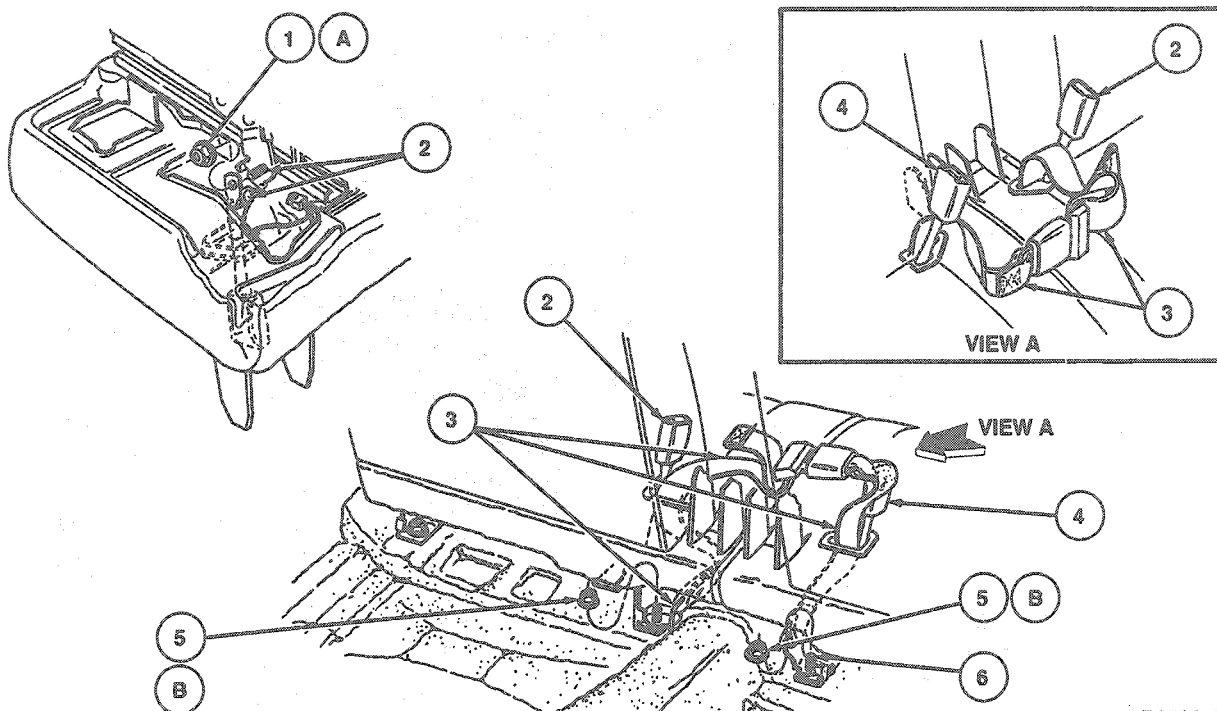
(Continued)

Item	Part Number	Description
6B	N621945-S58	Nut
7	—	Safety Belt Assy
A		Tighten to 15-20 N·m (11-15 Lb·Ft)
B		Tighten to 68-92 N·m (50-68 Lb·Ft)

- CAUTION:** Use care when handling seat and track assembly. Dropping the assembly or sitting on seat not secured in vehicle may result in damaged components.
- Lift the seat and track assembly high enough to disconnect the harness connectors. Remove the seat and track assembly from the vehicle.

- Place the seat upside down on a clean bench.
- Remove center occupant safety belt, if so equipped.

REMOVAL AND INSTALLATION (Continued)



R6583-D

Item	Part Number	Description
1A	N800937-S190	Nut (1 Req'd Each Side)
2	61203-A	LH Cable and Buckle Assy
3	611B60-A	Front Center Belt Assy
4	61202-A	RH Cable and Buckle Assy

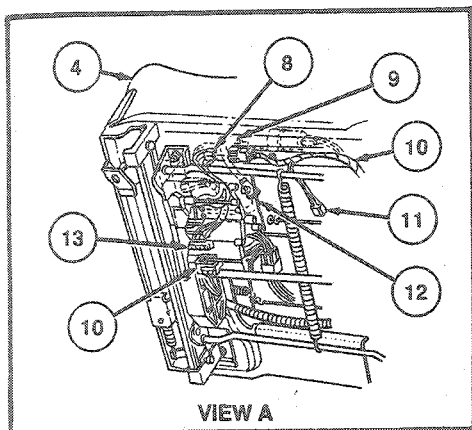
(Continued)

Item	Part Number	Description
5B	N620483-S36	Nut (1 Req'd Each Side)
6	N802063-S2	Stud
A		Tighten to 30-43 N-m (23-31 Lb-Ft)
B		Tighten to 68-92 N-m (50-68 Lb-Ft)

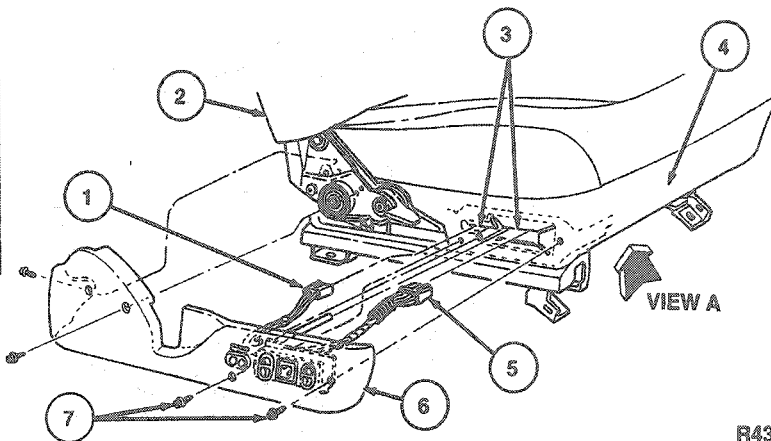
6. Disconnect the power seat switch-to-motor wire harness, if so equipped.

7. Disconnect lumbar hoses, if equipped.
8. Remove cushion side shield from seat assembly.

REMOVAL AND INSTALLATION (Continued)



PASSENGER SEAT SHOWN
DRIVER SEAT TYPICAL



R4310-D

Item	Part Number	Description
1	—	Wiring, Part of 14C715 Lumbar Control Switch Assy
2	65500	Seat Back
3	—	Cover Slit at Assembly
4	63100	Seat and Cushion Assy
5	—	Wiring, Part of 14A701 Seat Regulator Switch Assy
6	62186 RH 62187 LH	Seat Cushion Side Shield

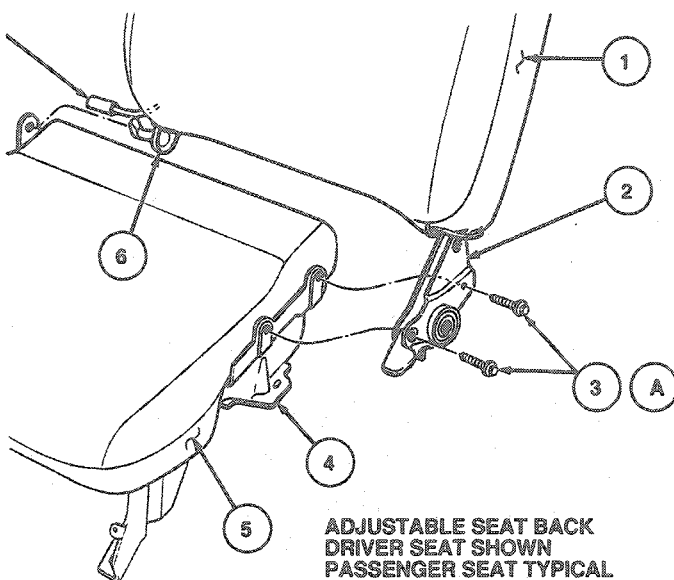
Item	Part Number	Description
7	56906-S55	Screw (4 Req'd)
8	—	To Front Seat Back Switch Assy
9	—	To Power Lumbar Pump
10	—	Seat Control Power Feed
11	—	To Floor Wiring Harness
12	—	To Power Lumbar Switch
13	—	To Seat Regulator Control Switch

(Continued)

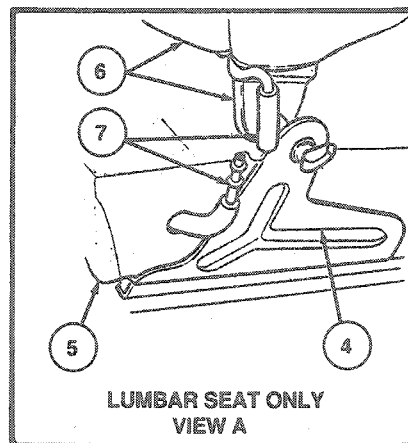
9. Remove two screws retaining recliner mechanism to the seat track.
10. Remove seat back from seat track.

REMOVAL AND INSTALLATION (Continued)

TO LUMBAR SUPPORT
VIEW A



ADJUSTABLE SEAT BACK
DRIVER SEAT SHOWN
PASSENGER SEAT TYPICAL



BUCKET SEAT SHOWN
SPLIT BENCH TYPICAL

R4184-F

Item	Part Number	Description
1	65500	Seat Back Assy
2	62648	Recliner Assy
3A	N804266-S2	Screw (2 Req'd Each Seat)
4	61710	Seat Track Assy

Item	Part Number	Description
5	65534	Seat Cushion Assy
6	—	Seat Back Pivot
7	—	Lumbar Fill Tube
A		Tighten to 44-60 N·m (31-44 Lb·Ft)

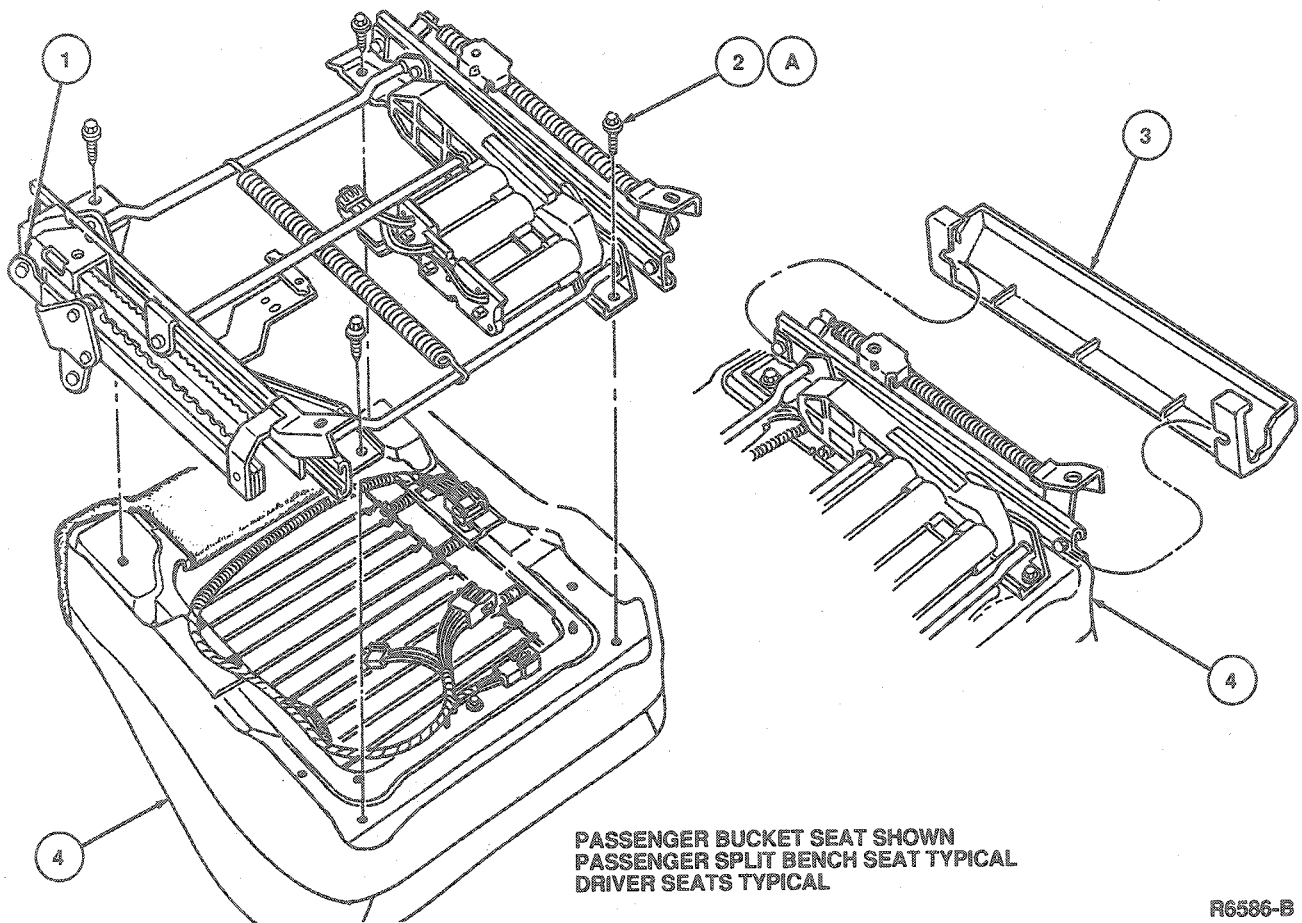
(Continued)

TR4184F

11. Remove outboard occupant safety belt.

12. Remove the four bolts retaining the seat track to the seat cushion. Remove the track assembly.

REMOVAL AND INSTALLATION (Continued)



R6586-B

Item	Part Number	Description
1	61700 (Passenger) 61701 (Driver)	Track Assy
2A	N801078-S2	Screw (4 Req'd)
3	62126	Front Seat Track Outer Shield
4	—	Seat Cushion
A		Tighten to 12-24 N·m (9-17 Lb-Ft)

Installation

1. Position the track assembly to the seat cushion.
2. Secure the outboard occupant safety belt to seat track.
3. Secure the seat track assembly to the seat cushion using the four retaining bolts. Tighten the bolts to 12-24 N·m (9-17 lb-ft).
4. Install seat recliner-to-seat track retaining bolts. Tighten to 44-60 N·m (33-44 lb-ft).
5. Connect lumbar hoses, if equipped.
6. Install cushion side shield to the seat track assembly.
7. Connect the power seat switch to motor wire harness, if so equipped.
8. Install center occupant safety belt to seat track.
9. Position the seat and track assembly in vehicle.
10. Lift seat and track assembly high enough to permit the connection of the harness connectors, then connect wires.
11. Install the seat track-to-floorpan retaining nuts and washers and/or bolts. Tighten the bolts to 12-24 N·m (9-17 lb-ft), inboard nut to 60-90 N·m (44-60 lb-ft) and outboard nut to 12-24 N·m (9-17 lb-ft).
12. Install insulator covers.
13. Install the safety belt-to-floorpan retaining bolt. Refer to Section 01-20A.
14. Check seat tracks for proper operation.

REMOVAL AND INSTALLATION (Continued)

Rack-and-Pinion Drive

Removal and Installation

1. Remove the roll pins from the pivot pins on the secondary track and separate track assemblies.

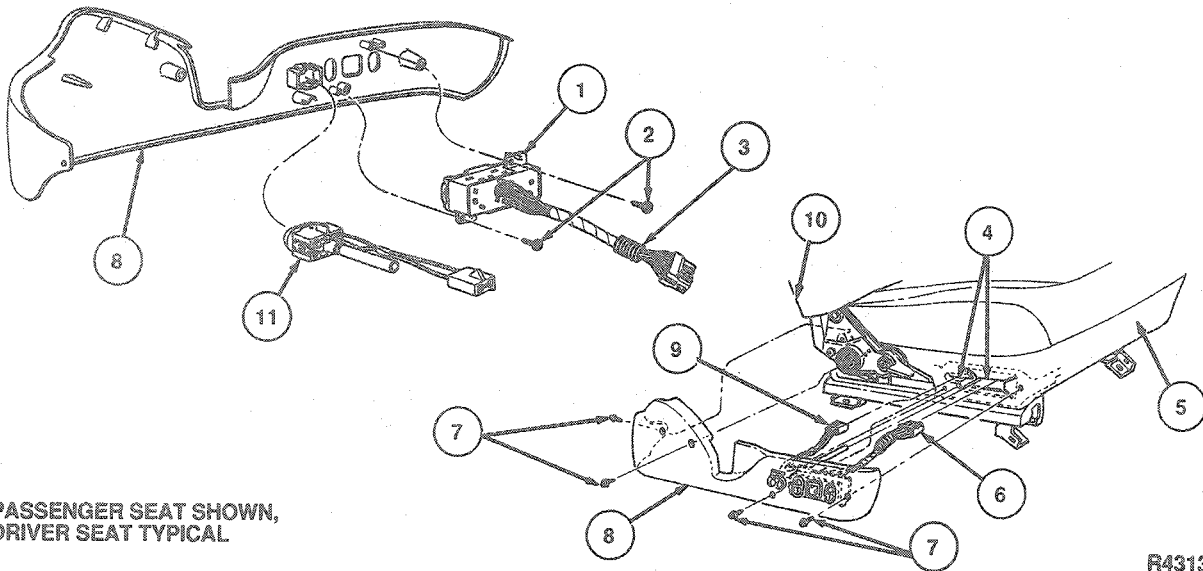
2. Remove drive cross shaft and snap ring.
3. Slide track to allow pinion gear removal and slide gear out.
4. To install, reverse Removal procedure.

Seat Control Switch

Removal and Installation

1. Disconnect battery ground cable.
2. Remove four screws retaining seat cushion side shield and remove shield as outlined.

3. Remove two screws retaining switch.
4. Remove switch and housing assembly and disconnect electrical connector. Remove assembly.
5. To install, reverse Removal procedure.



PASSENGER SEAT SHOWN,
DRIVER SEAT TYPICAL

R4313-C

Item	Part Number	Description
1	14A701	Seat Regulator Switch
2	56902-S2	Screw (2 Req'd)
3	—	Conduit, Part of 14A701 Seat Regulator Switch Wiring
4	—	Cover Slit at Assy
5	63100	Seat and Cushion Assy

(Continued)

Item	Part Number	Description
6	—	Wiring, Part of 14A701 Seat Regulator Switch Assy
7	56906-S55	Screw (4 Req'd)
8	62186 RH 62187 LH	Seat Cushion Side Shield
9	—	Wiring, Part of 14C715 Lumbar Control Switch Assy
10	65500	Seat Back
11	14C715	Lumbar Control Switch Assy

Seat Cushion, Rear—Sedan

Removal

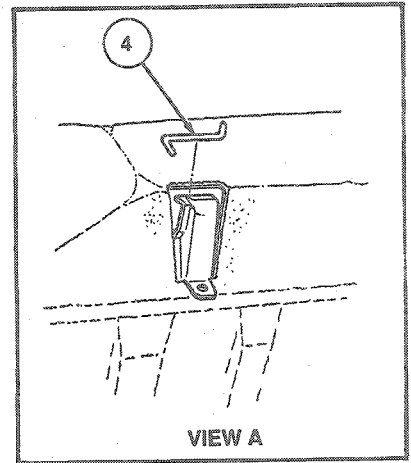
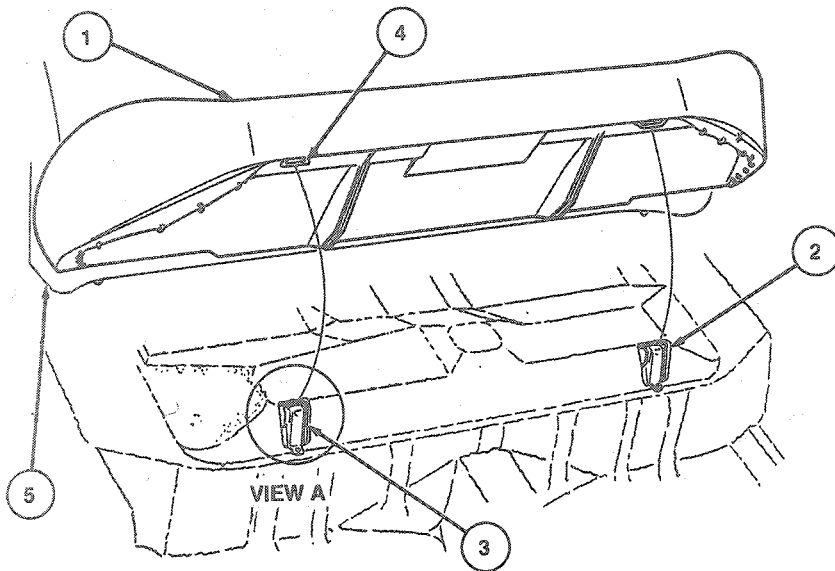
1. Apply knee pressure to lower front portion of the rear seat cushion. Push rearward to disengage seat cushion from retainer brackets.
2. Remove seat cushion from vehicle.

Installation

1. Position seat cushion assembly into vehicle.

2. Place safety belts on top of cushion.
3. Apply knee pressure to lower portion of seat cushion assembly. Push rearward and down to lock the seat cushion into position.
4. Pull rear seat cushion forward to ensure it is secured into floor retainer.

REMOVAL AND INSTALLATION (Continued)



R4164-B

Item	Part Number	Description
1	600A88	Rear Seat Cushion
2	13000	Carpet
3	63370	Retainer
4	63160	Spring Assy
5	672A18	Rear Seat Back

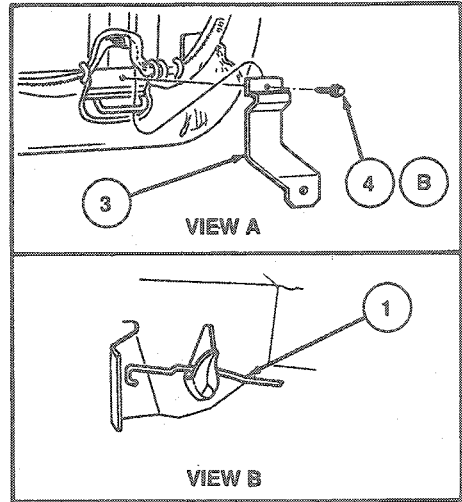
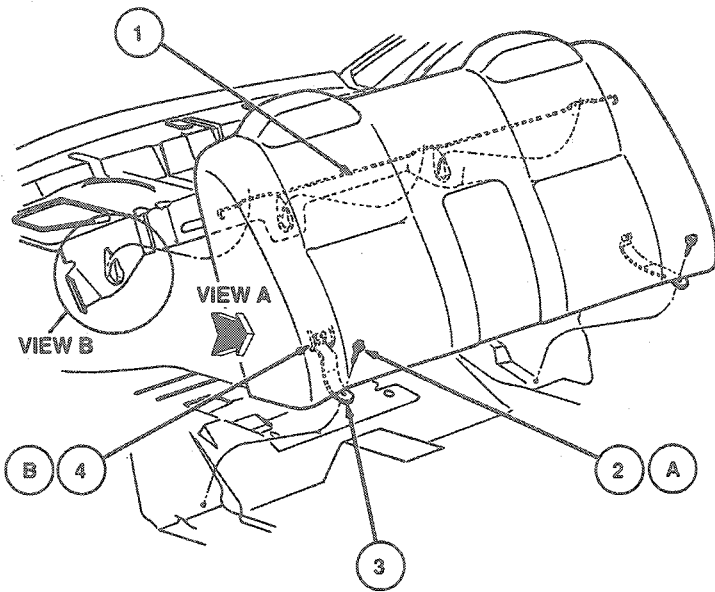
Seat Back Rest, Rear—Sedan**Removal**

- Remove rear seat cushion as outlined.
NOTE: Safety belt bolts do not secure seat back to vehicle.
- Remove seat back bracket retaining bolts.
- Grasp seat back assembly at the bottom and lift up to disengage the hanger wire from the retainer brackets.

Installation

- Position seat back in vehicle so that the hanger wires are engaged with the retaining brackets.
- Install seat back bolts and tighten to 4.3-6.3 N·m (39-55 lb-in).
- Install rear seat cushion as outlined.

REMOVAL AND INSTALLATION (Continued)



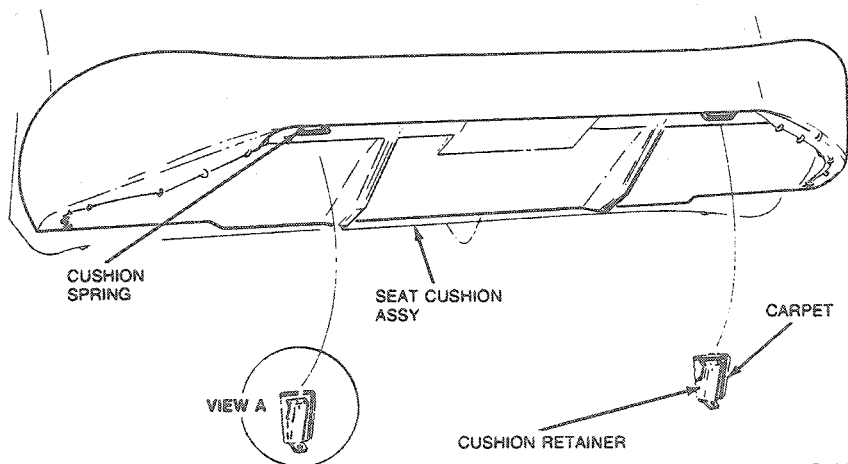
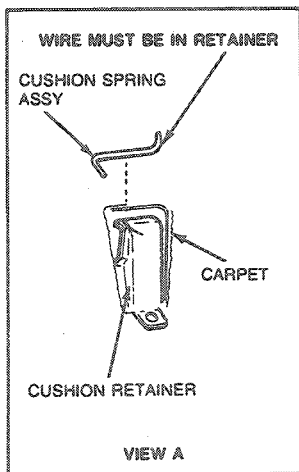
R4165-F

Item	Part Number	Description
1	613A38	Spring Assy Rear Seat Back
2A	W611102-S36	Bolt (2 Req'd)
3	624A38	Bracket (2 Req'd)
4B	N610957-S2	Bolt (2 Req'd)
A		Tighten to 4.3-6.3 N-m (39-55 Lb-In)
B		Tighten to 4.6-6.8 N-m (41-61 Lb-In)

Seat Cushion, Rear—Wagon

Removal and Installation

- To remove rear seat cushion, apply knee pressure to lower front portion of rear seat cushion. Push rearward to disengage seat cushion from retainer brackets.
- To install rear seat cushion, apply knee pressure to lower portion of seat cushion assembly. Push rearward and down to engage cushion in retainer brackets.
- Ensure safety belts are on top of cushion.



R4393-A

REMOVAL AND INSTALLATION (Continued)

Seat Back, Rear—Split Folding

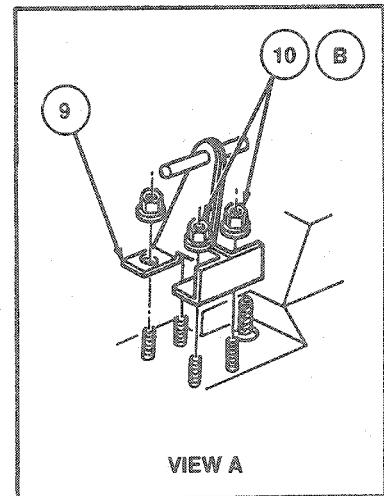
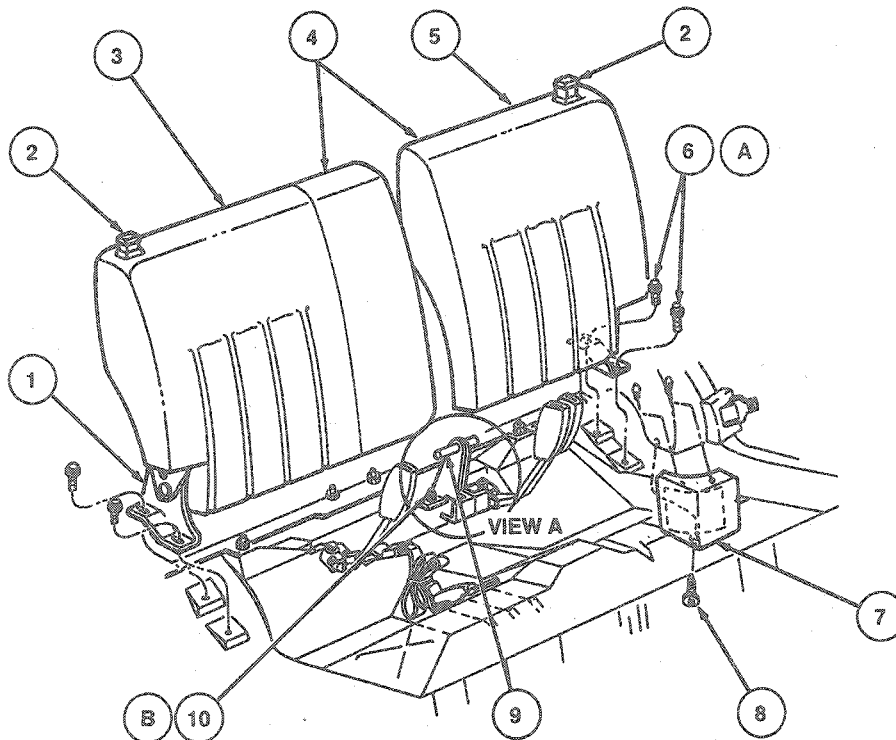
Wagon

Removal

1. Remove rear seat cushion as outlined.
2. Remove seat back side bolster lower pads by removing retaining screws (one each). Slide pad upward, while twisting it inboard slightly to disengage plastic push pins retaining pad to quarter trim panel.
3. Remove four bolts (two each seat back) retaining seat back assembly to floorpan.
4. Remove seat back from inboard pivot pin by sliding seat back toward outboard side of vehicle.

Installation

1. Position seat back onto inboard pivot pin in the full-up position.
2. Install seat back-to-floorpan retaining bolts (two each side). Tighten to 35-55 N·m (26-40 lb-ft).
3. Check seat back latch for proper operation.
NOTE: A nut and bolt have been provided on the LH (40 percent) seat back latch only, to align the LH seat back to the fixed position (± 2 degrees adjustment). To align the RH seat back, loosen the nut and bolt and reposition the bolt in its slot. Tighten the bolt and nut to 35-55 N·m (26-40 lb-ft). Ensure seat backs operate properly after alignment.
4. Install seat back side pads and retaining screws.



R4394-E

Item	Part Number	Description
1	61382-3	Latch Assy
2	613K52	Latch Release Button
3	66800	60 Percent Seat
4	600A28	Seat Back Assy
5	66801	40 Percent Seat
6A	N804637-S2	Bolt (2 Req'd Each Side)
7	66878	Side Pad

(Continued)

Item	Part Number	Description
8	56910-S2	Screw
9	613B90	Pivot Assy
10B	N800251-S2	Nut and Washer Assy (4 Req'd)
A		Tighten to 35-55 N·m (26-40 Lb-Ft)
B		Tighten to 17-27 N·m (13-19 Lb-Ft)

REMOVAL AND INSTALLATION (Continued)

Seat Back Latch, Rear—Wagon

Out Of Vehicle

NOTE: The following procedure is to be used when the rear seat back is removed from the vehicle. When the seat back is down and in the locked position, refer to Seat Back Latch, Rear—In-Vehicle.

Removal and Installation

1. Remove rear seat back as outlined.
2. Remove seat back latch release button (snaps off). An offset screwdriver for a leverage tool is recommended. Save button. Remove bezel (squeeze tabs) and retain.

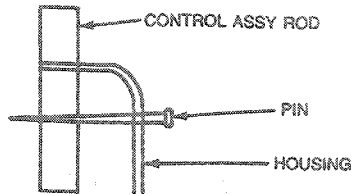
3. Remove rear seat back trim cover and pad as outlined.

Do not cut off push pins. Cut off push pins will rattle inside the load floor.

4. Remove and save seat back latch shroud and the four push pins.
5. Remove three nuts retaining the remote control assembly to the remote control retainer and remove from seat back.

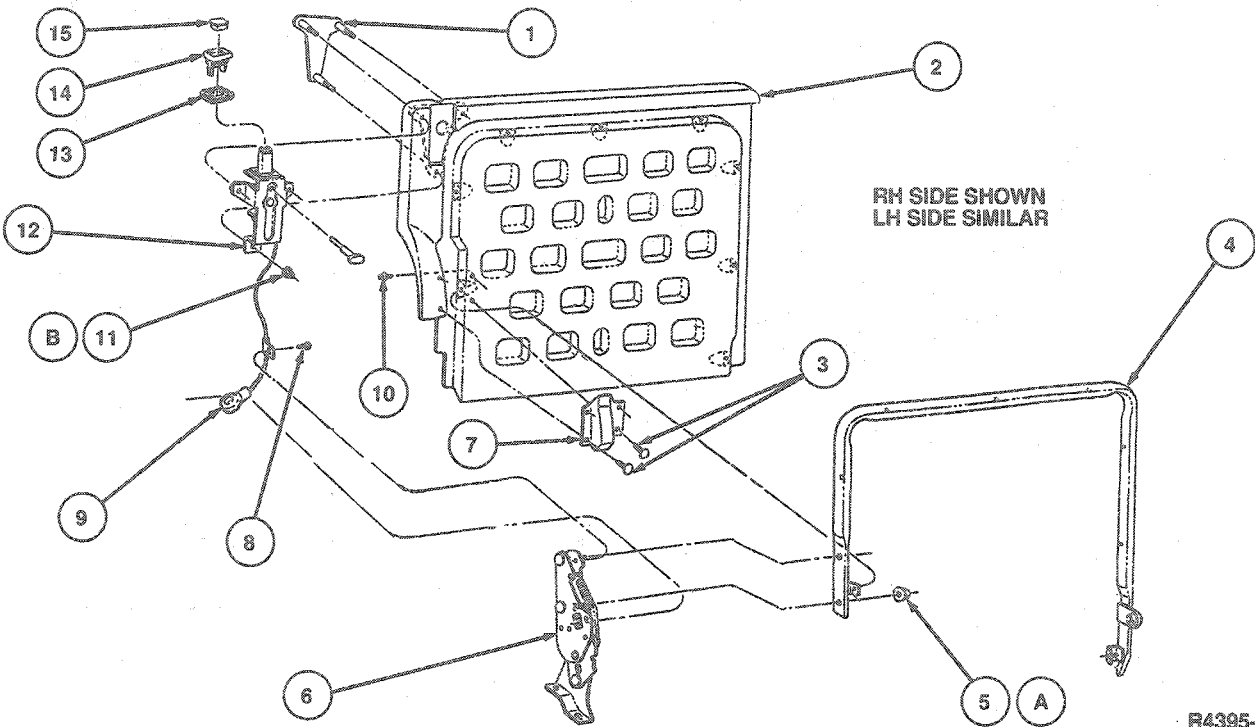
6. Remove screw securing cable "flag" to latch plate.
7. Detach remote release cable eyelet from latch.
8. Remove two nuts retaining latch to seat back frame.

NOTE: Before reinstalling pad and cover, operate latch to ensure the remote control cable tension will allow the latch to release and lock. To ensure proper height of the control assembly rod, insert an approximately 3mm pin through the housing and rod before beginning installation procedure of the remote control assembly. Remove pin after installation is completed.



R4575-A

9. To install, reverse Removal procedure.



RH SIDE SHOWN
LH SIDE SIMILAR

R4395-E

Item	Part Number	Description
1	—	Remote Control Retainer
2	60546 RH 60547 LH	Seat Back Panel Assy
3	—	Push Pins (4 Req'd)
4	613A38 RH 613A39 LH	Seat Back Frame Assy

(Continued)

Item	Part Number	Description
5A	N620482-S2	Frame-to-Latch Retaining Nut (2 Req'd)
6	61382-3	Seat Back Latch Assy
7	—	Latch Shroud
8	56903-S2	Screw

(Continued)

REMOVAL AND INSTALLATION (Continued)

Item	Part Number	Description
9	—	Remote Release Cable Eyelet
10	—	Screw (8 Req'd)
11B	N620480-S2	Nut (3 Req'd)
12	613K52	Remote Control Assy

(Continued)

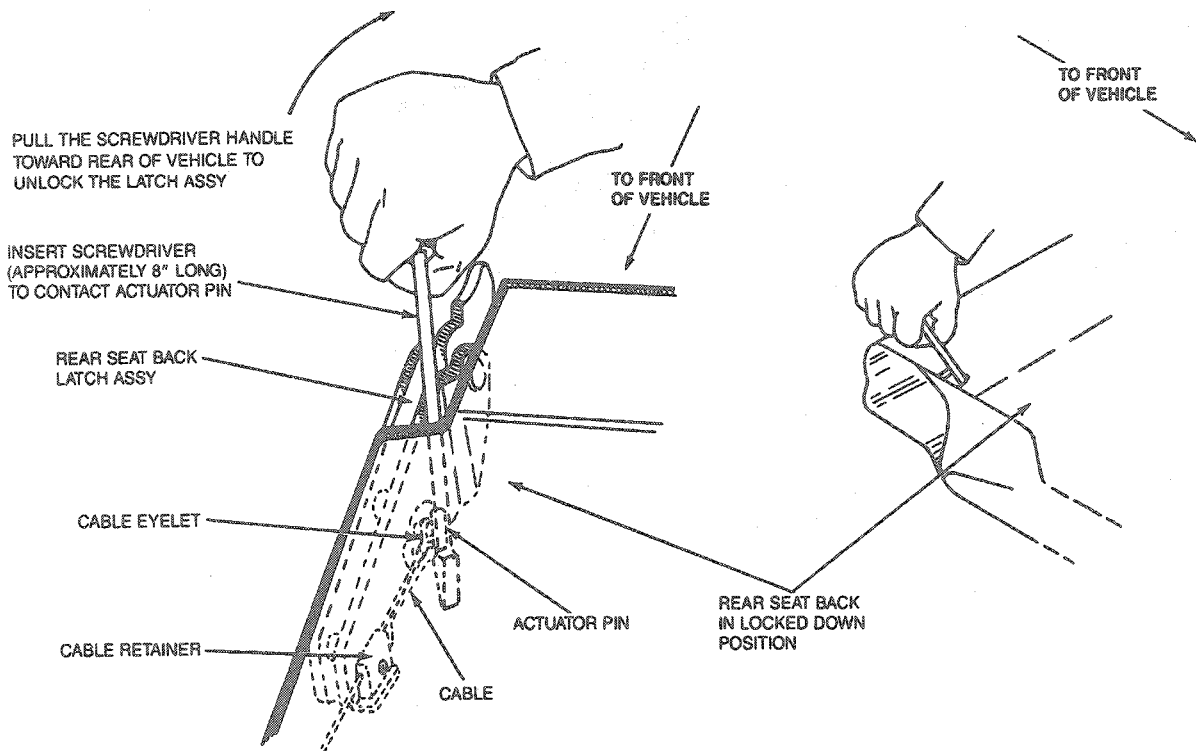
Item	Part Number	Description
13	624A14	Trim Plate
14	624A08	Bezel
15	62432	Latch Release Button
A		Tighten to 35-55 N·m (26-40 Lb·Ft)
B		Tighten to 7-11 N·m (6-8 Lb·Ft)

In-Vehicle

The following procedure is to be used when the rear seat back is locked in the down position, in the vehicle, and the remote release does not operate.

Removal and Installation

1. Insert a screwdriver, 20cm (8 inches) long or more, into the back of rear seat back until it contacts the actuator pin.

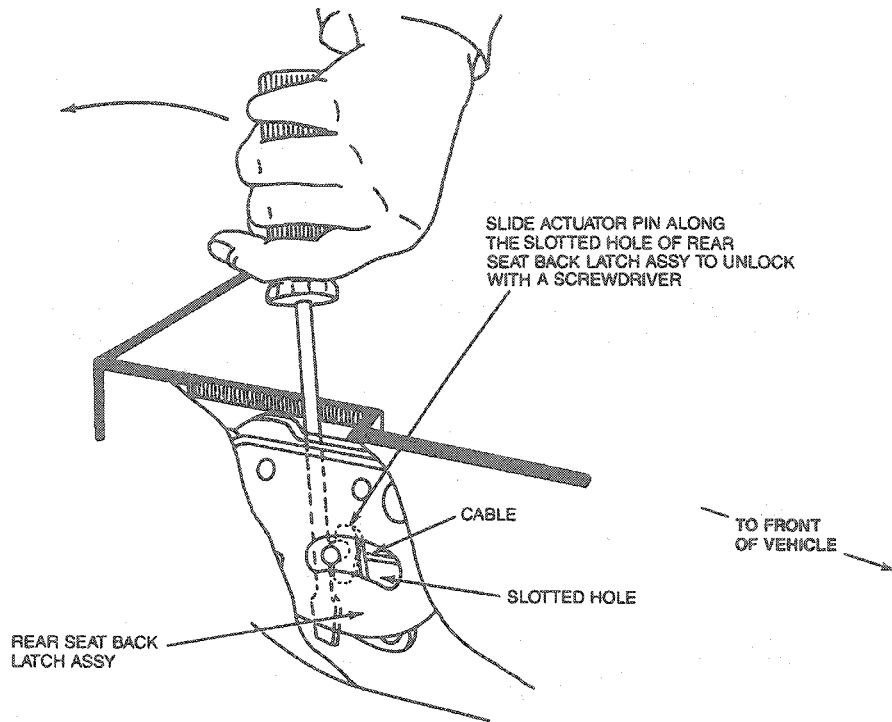


R6325-A

REMOVAL AND INSTALLATION (Continued)

2. Pull the screwdriver handle toward the rear of vehicle and push down on the seat cushion until back latch assembly unlocks and moves the rear seat back into the "UP" position.

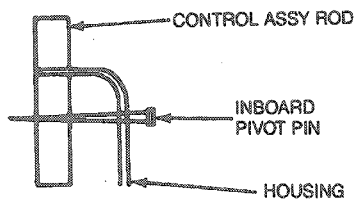
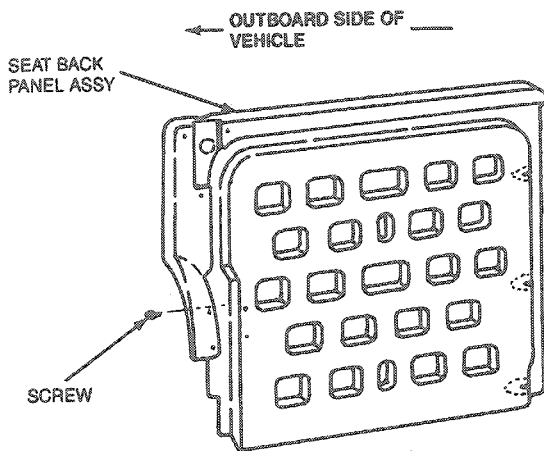
PULL SCREWDRIVER HANDLE
TOWARD REAR OF VEHICLE
TO UNLOCK THE LATCH ASSY



R6326-A

REMOVAL AND INSTALLATION (Continued)

- Remove rear seat back side bolster pad and cover assembly by depressing the seat cushion near the pad and cover assembly to get access to the retaining screw and remove the screw.



RH SIDE SHOWN
LH SIDE SIMILAR

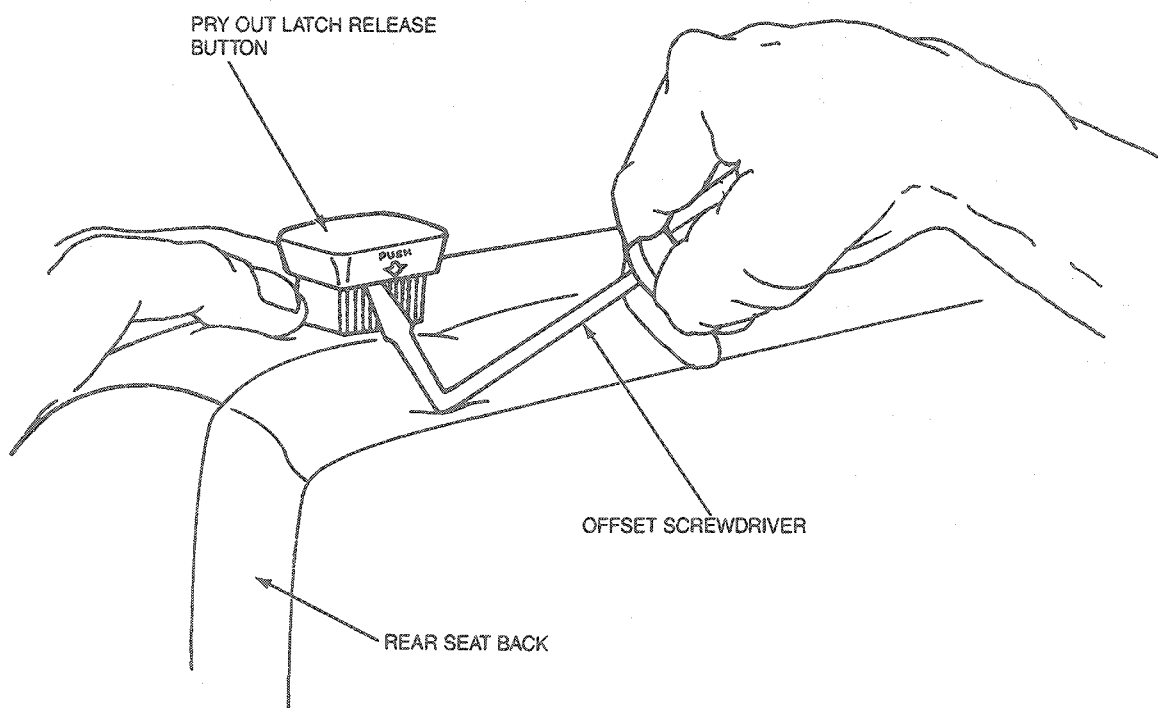
R6327-A

- Unzip the rear seat back cover and roll it inside out to expose the rear seat back latch control assembly.
- Remove three nuts retaining the control assembly to the rear seat back panel assembly.
- Remove the screw holding the cable retainer to the rear seat back latch assembly.
- Rotate cable eyelet 90 degrees and remove it from the actuator pin of the latch assembly.
- Remove the broken rear seat back latch control assembly and throw it away.
- Obtain a new control assembly, (E6DZ-74613K52-A), and install it to the rear seat back.
- To install, reverse Removal procedure.

REMOVAL AND INSTALLATION (Continued)

11. Repeat for the opposite side of the rear seat back, if necessary.

WARNING: DO NOT STRIKE OR FORCE THE REAR SEAT BACK LATCH CONTROL RELEASE BUTTON. IF THE REAR SEAT BACK IS IN THE DOWN AND LOCKED POSITION, PUSH DOWN ON THE REAR SEAT BACK AND ACTIVATE THE LATCH RELEASE BUTTON AT THE SAME TIME TO RELIEVE STRESS ON THE CONTROL WHILE IT UNLOCKS. THEN PULL THE REAR SEAT BACK TO THE "UP" POSITION.



R6328-A

Seat Cushion, Auxiliary—Wagon**Removal and Installation**

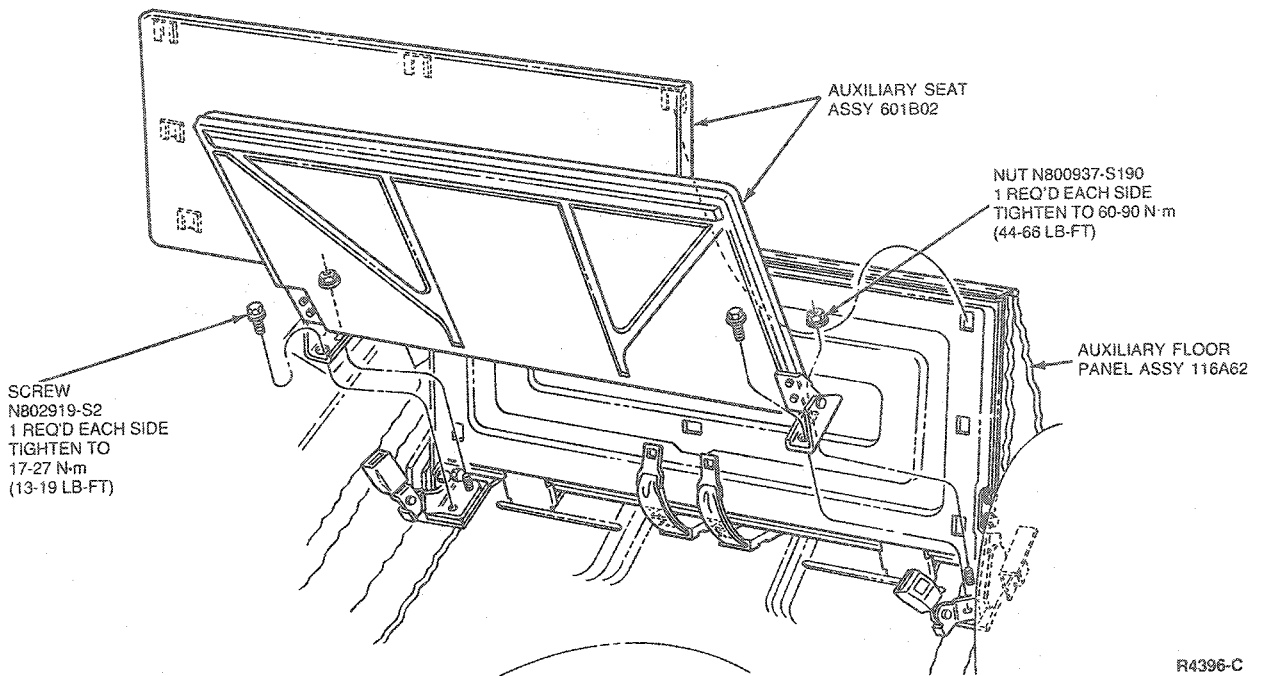
1. Open liftgate.
2. Position auxiliary seat back into latched position.
3. Remove RH and LH auxiliary safety belt retaining nuts. Lift cushion assembly out of vehicle.
4. To install, reverse Removal procedure.

Seat Back, Auxiliary—Wagon**Removal and Installation**

1. Remove auxiliary seat cushion as outlined.
2. Disengage retainers at top of back panel between load floor and seat back assembly.
3. Pull seat back assembly up to remove.

REMOVAL AND INSTALLATION (Continued)

4. To install, reverse Removal procedure.



Head Restraint, Front Seat

Removal

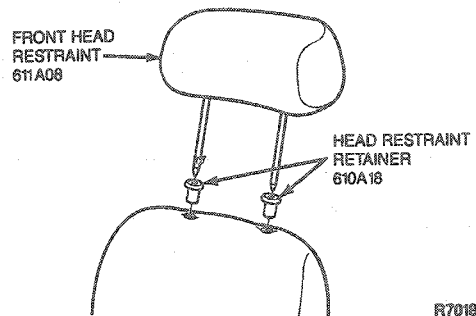
1. Unscrew retainer caps.
2. Pull up on head restraint. Compress foam in area of guide sleeves.
3. Remove head restraint positioning springs. Pull head restraint up and out.

Installation

1. Slide retainer caps onto head restraint posts.
2. Compress foam in guide sleeve area. Install positioning springs on sleeves.
3. Insert head restraint posts (notches on posts facing rearward) into guide sleeves and push down to engage positioning spring.
4. Tighten retainer caps onto guide sleeves.

NOTE: Head restraint must operate smoothly throughout its range of travel, must remain in any fixed position, and must not be freely removable from the seat back. If any of these conditions are not met, check for proper installation of positioning spring onto sleeve.

5. Adjust head restraint assembly by applying hand pressure, either up or down, to center area of head restraint.



Seat Back, Front

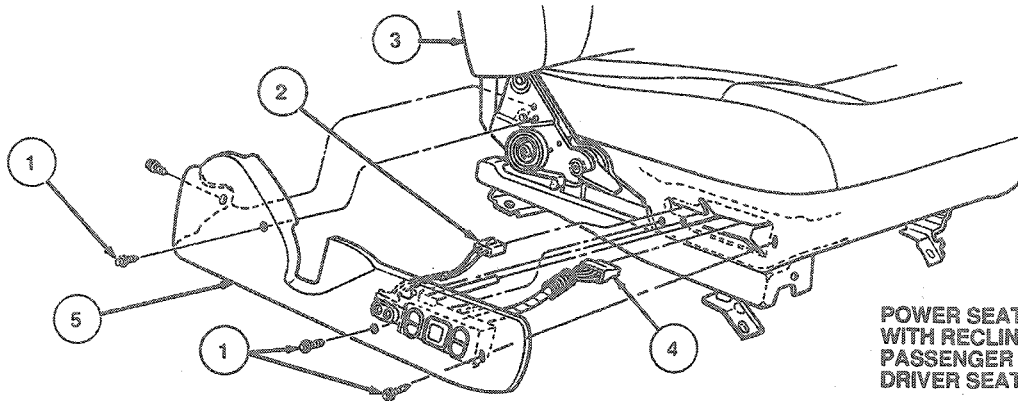
The recliner assembly must be replaced as a unit.

NOTE: Service of the recliner components is not acceptable and should not be attempted.

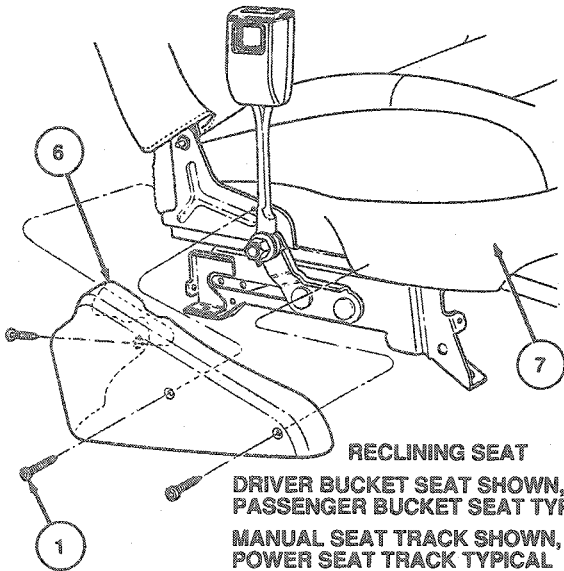
Removal

1. Remove seat cushion side cover retaining screws. Disconnect electrical connectors, if necessary (power seats), and remove side cover.

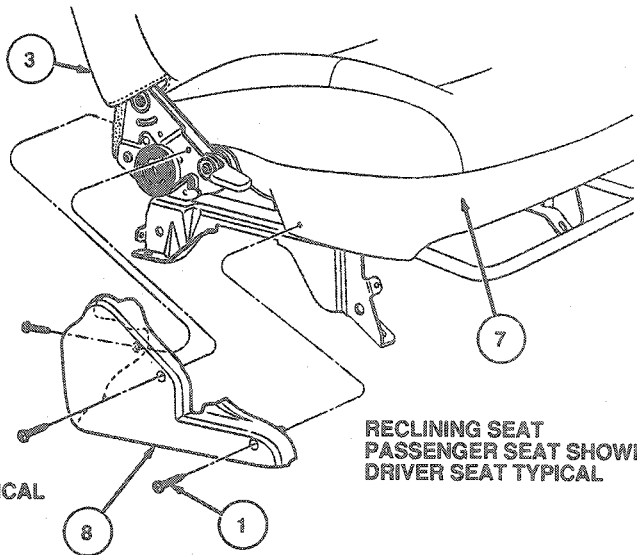
REMOVAL AND INSTALLATION (Continued)



POWER SEATS WITH RECLINER
PASSENGER SEAT SHOWN
DRIVER SEAT TYPICAL



RECLINING SEAT
DRIVER BUCKET SEAT SHOWN,
PASSENGER BUCKET SEAT TYPICAL
MANUAL SEAT TRACK SHOWN,
POWER SEAT TRACK TYPICAL



RECLINING SEAT
PASSENGER SEAT SHOWN,
DRIVER SEAT TYPICAL

R4183-F

Item	Part Number	Description
1	56906-S55	Screw
2	—	Wiring, Part of 14C715 Lumbar Control Switch Assy
3	65500	Seat Back Assy

(Continued)

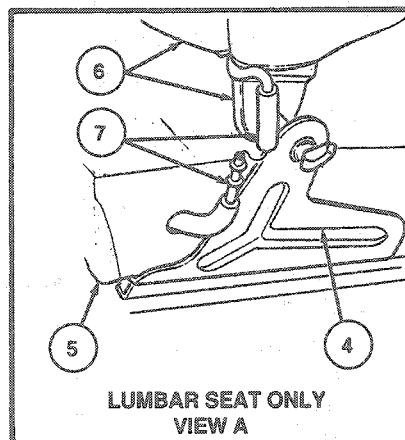
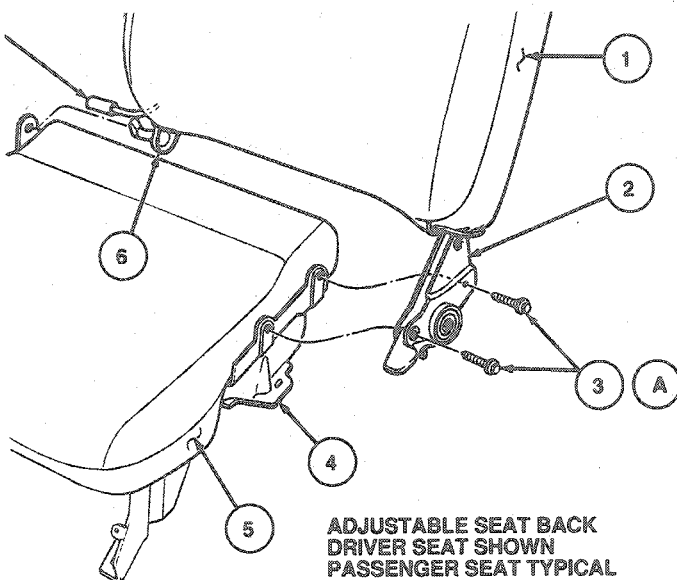
Item	Part Number	Description
4	—	Wiring, Part of 14A701 Seat Regulator Switch Assy
5	62186 RH 62187 LH	Seat Cushion Side Shield
6	61692	Pivot Cover
7	63100	Seat and Cushion Assy
8	62768	Recliner Cover

- Remove screws retaining seat back or recliner assembly to seat track assembly.

REMOVAL AND INSTALLATION (Continued)

TO LUMBAR
SUPPORT

VIEW A

BUCKET SEAT SHOWN
SPLIT BENCH TYPICAL

R4184-F

Item	Part Number	Description
1	65500	Seat Back Assy
2	62648	Recliner Assy
3A	N804266-S2	Screw (2 Req'd Each Seat)
4	61710	Seat Track Assy

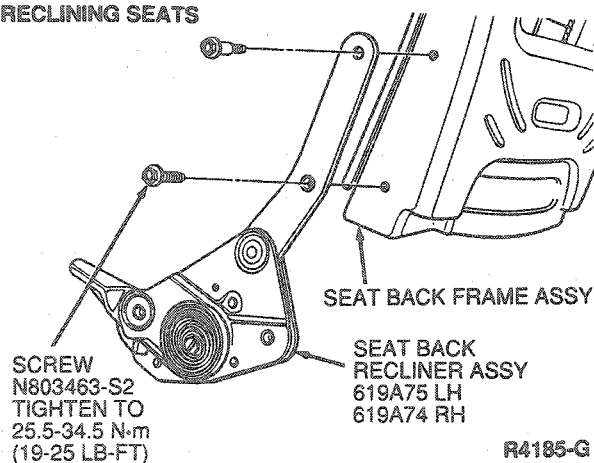
(Continued)

Item	Part Number	Description
5	65534	Seat Cushion Assy
6	—	Seat Back Pivot
7	—	Lumbar Fill Tube
A	—	Tighten to 44-60 N·m (31-44 Lb-Ft)

TR4184F

- Pull back a small portion of seat back cover to expose two screws retaining seat recliner assembly to seat back.
- Remove screws and bracket or recliner assembly.

RECLINING SEATS



Installation

- Position seat back or recliner assembly (reclining seats) to seat back frame. Install retaining screws and tighten to 25.5-34.5 N·m (19-25 lb-ft). Refer to the illustration under Removal, Step 4.
- Position seat back recliner assembly to seat track assembly. Install retaining screws and tighten to 44-60 N·m (31-44 lb-ft). Refer to the illustration under Removal, Step 2.
- Position seat cushion side cover to seat and install cover screws. Connect any disconnected wires. Refer to the illustration under Removal, Step 1.

Seat Back Trim Cover, Front

Removal

- Remove seat and track assembly from vehicle as outlined.
- Remove seat back latch covers. Remove bolts retaining seat back to recliner as outlined. Place seat back assembly on a protective surface.
- Remove head restraint assembly as outlined.

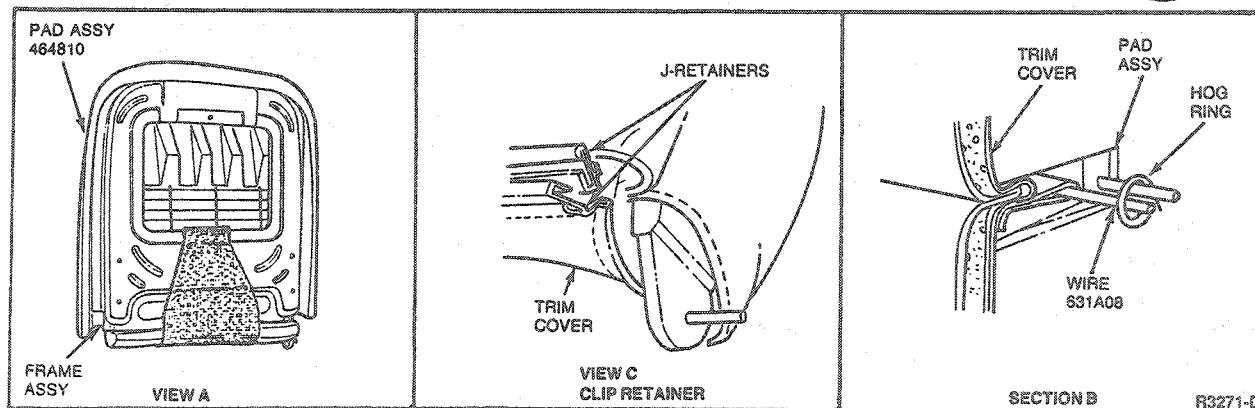
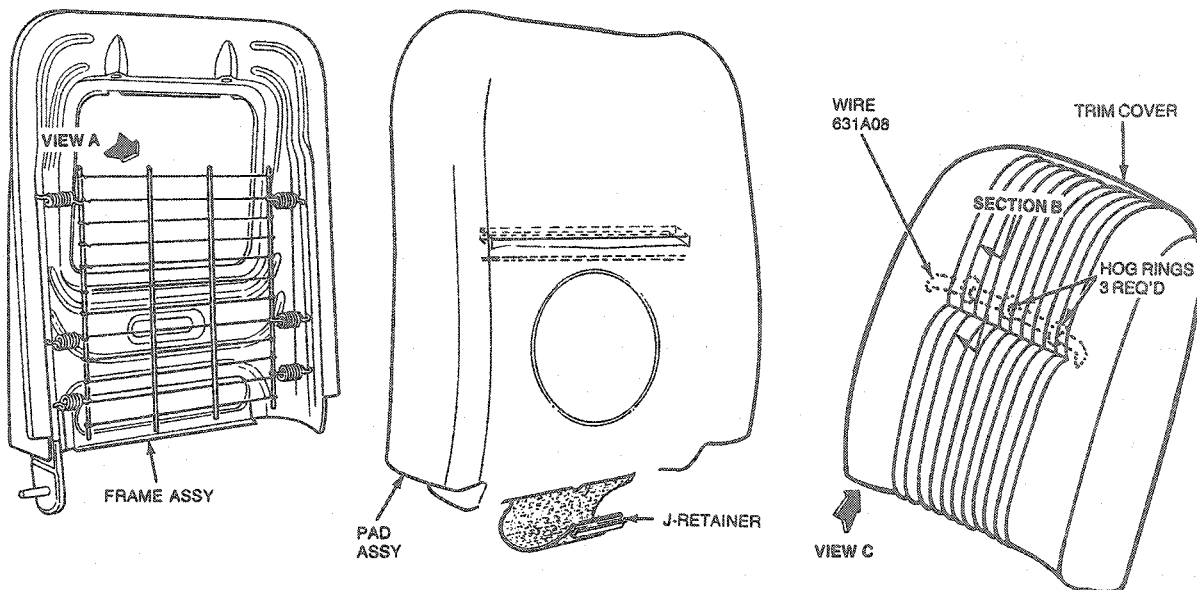
REMOVAL AND INSTALLATION (Continued)

4. Disengage two J-retainers from each other at the bottom of the seat back.
5. Pull cover up the back (inside out) exposing hog rings.
6. Cut wires retaining hog rings. Remove trim cover. Remove retaining wires from their listings.
7. Remove pad assembly, if necessary.

Installation

1. Install head restraint retaining clips, one each guide rod sleeve.
2. Install pad, if removed.
3. With the exception of the top portion, approximately 20cm (8 inches), turn the new trim cover inside out.

4. Position trim cover to pad assembly. Work trim cover down until horizontal tiedown wire is aligned with its retaining wire in pad assembly. Install tiedown wire in the listing. Secure tiedown wire to pad assembly with hog rings.
5. Position remaining portion of trim cover to pad assembly.
6. Engage two J-retainers to each other to close trim cover.
7. Install head restraint assembly as outlined.
8. Install seat back assembly to recliner. Tighten retaining bolts to 44-60 N-m (33-44 lb-ft).
9. Install seat and track assembly. Tighten retaining bolts to 12-24 N-m (9-17 lb-ft), inboard nut to 60-90 N-m (44-66 lb-ft) and outboard nut to 12-24 N-m (9-17 lb-ft).
10. Check seat tracks for proper operation.



REMOVAL AND INSTALLATION (Continued)**Seat Cushion Trim Cover, Front****Removal**

1. Remove seat and track assembly from the vehicle as outlined. Place seat on a clean surface.
2. Remove seat back and seat tracks from the cushion.
3. Disengage plastic J-retainers from seat cushion frames. Remove trim cover.
4. Pull cover back and cut wire retaining hog rings. Remove trim cover.
5. Remove pad assembly, if necessary, by cutting hog rings from underside of cushion pad.

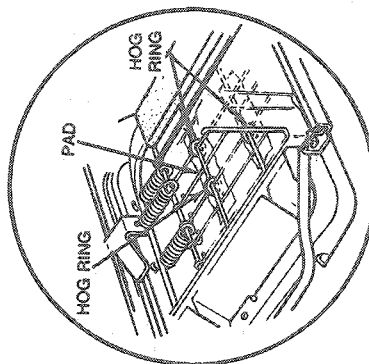
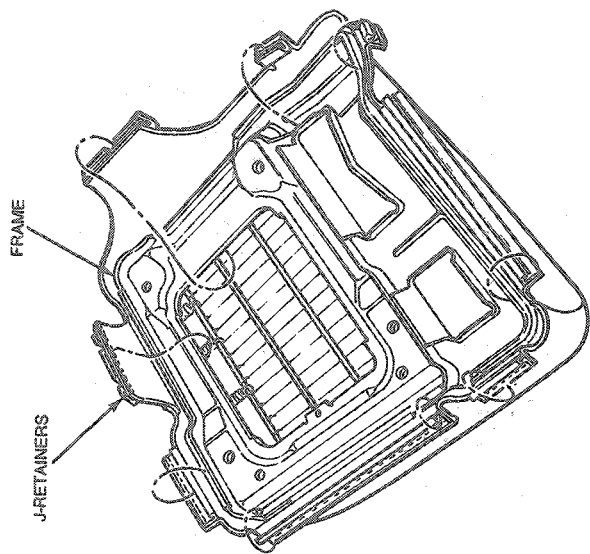
Installation

1. Install pad assembly, if removed, and secure with hog rings.

2. Transfer all bolster tiedown wires to their respective listings in new cover assembly.
3. Position trim cover over pad and frame assembly, with listing exposed. Install tiedown wire in the listing, secure tiedown wire to pad with three hog rings.
4. Install plastic J-retainers to frame.
5. Install seat tracks and back assembly to cushion frame as outlined.
6. Install seat and track assembly as outlined.
7. Check seat tracks for proper operation.

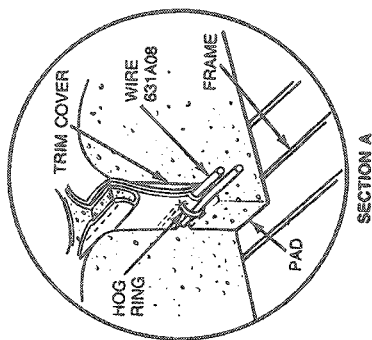
REMOVAL AND INSTALLATION (Continued)

RS063-S

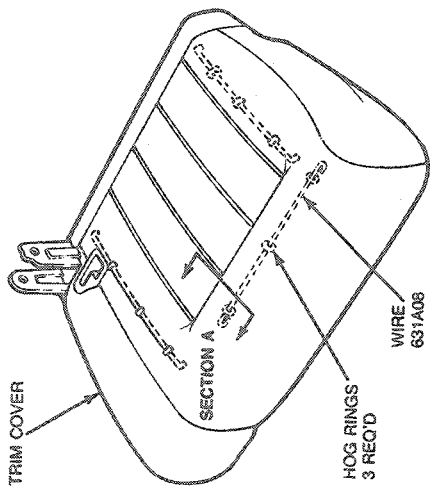


VIEW B SHOWN ASSEMBLED

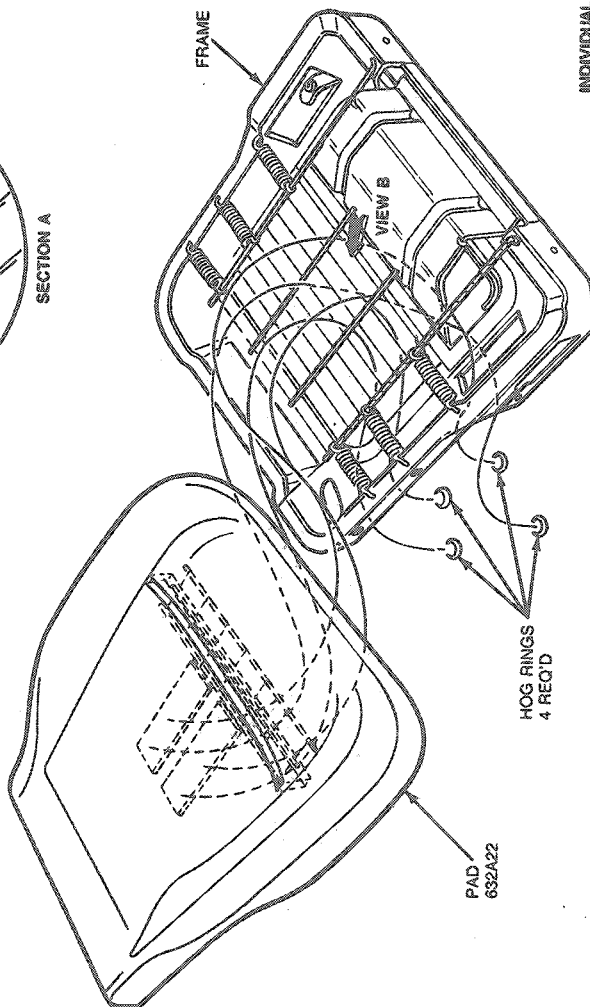
INDIVIDUAL SHOWN. SPLIT BENCH TYPICAL



SECTION A



SPLIT BENCH SHOWN. BUCKET SEAT TYPICAL



REMOVAL AND INSTALLATION (Continued)

Seat Cushion Trim Cover, Rear

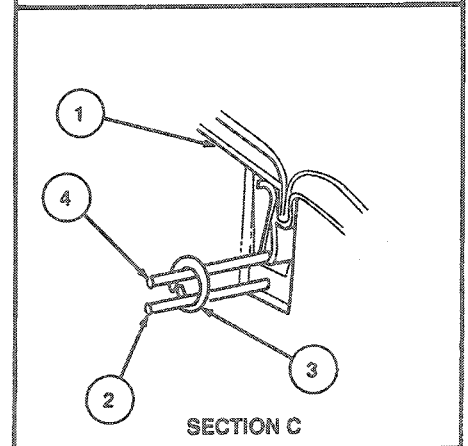
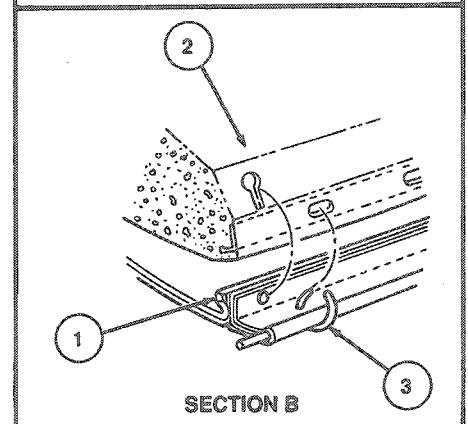
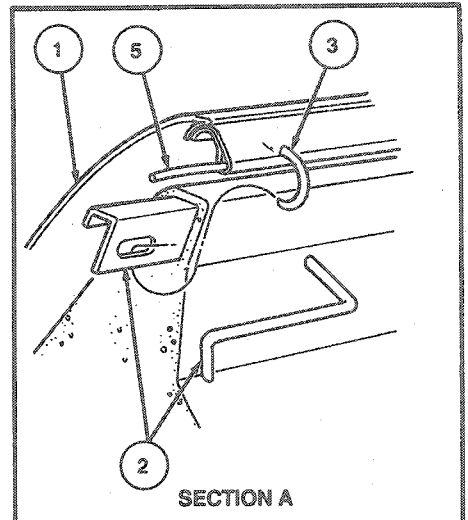
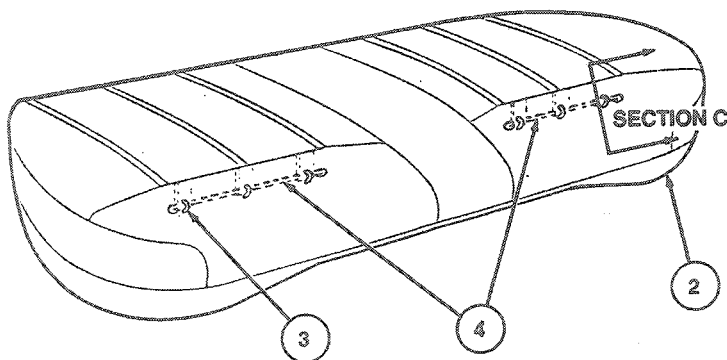
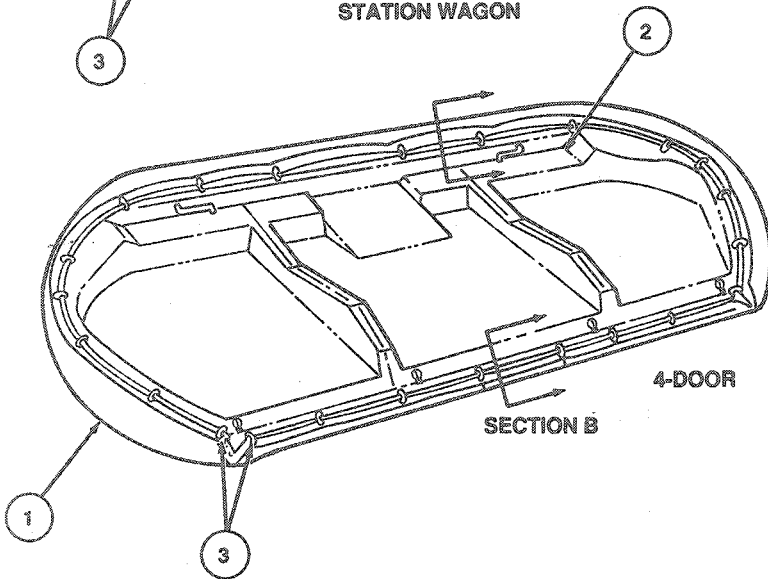
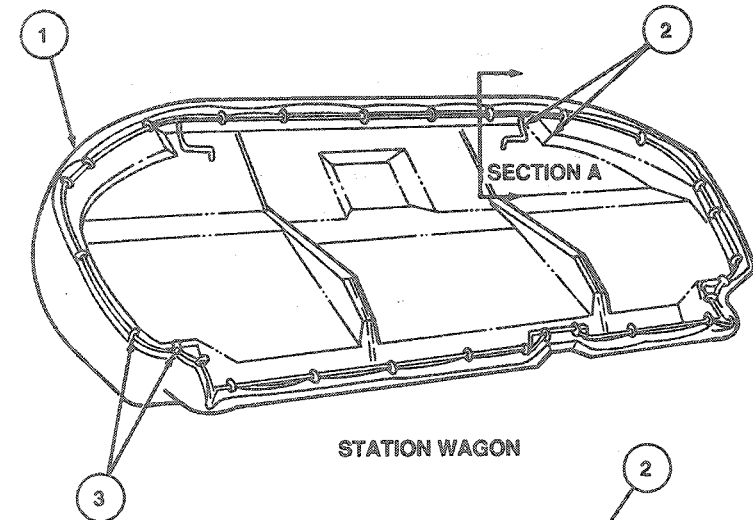
Removal

1. Remove cushion assembly from vehicle and place it on a clean surface as outlined
2. Remove hog rings retaining cushion trim cover to pad and frame assembly. Remove hog rings in horizontal tiedown listings. Remove trim cover.

3. Remove tiedown wires from their listings and transfer them to their respective listings in new cover.

Installation

1. Position new trim cover over pad. Secure cover to horizontal listings with hog rings. Secure cover with hog rings to pad and frame assembly.
2. Install cushion assembly in vehicle as outlined.



R4173-D

REMOVAL AND INSTALLATION (Continued)

Item	Part Number	Description
1	63804	Cover Assy
2	600A88	Pad and Frame Assy
3	—	Hog Rings
4	631A08	Wire - 53.5 Inch Tie Down
5	66698	Wire - 9 Inch Tie Down

Seat Back Trim Cover, Rear**Removal**

1. Remove seat back assembly from vehicle and place it on a clean surface as outlined.
2. Remove armrest as outlined, if so equipped.
3. Remove hog rings retaining trim cover.
4. Remove trim cover.
5. Remove tiedown wires from their listings. Transfer them to their respective listings in new trim cover.

Installation

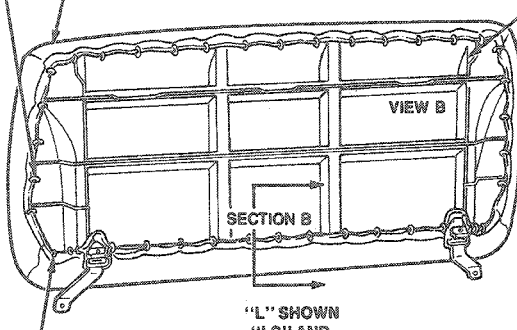
1. Position trim cover evenly to back panel and pad assembly.
2. Hog ring the horizontal tiedown listings to pad assembly at each location.
3. Hog ring trim cover to pad and frame assembly.
4. Install armrest as outlined, if so equipped.

REMOVAL AND INSTALLATION (Continued)

5. Install seat back assembly as outlined.

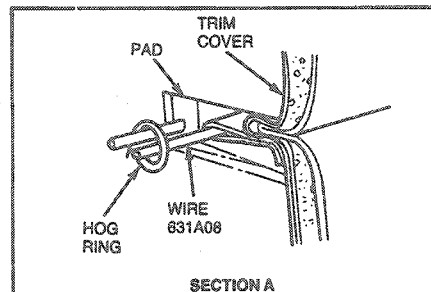
HOG RINGS, 23 REQ'D
ALONG SIDES AND TOP

COVER ASSY

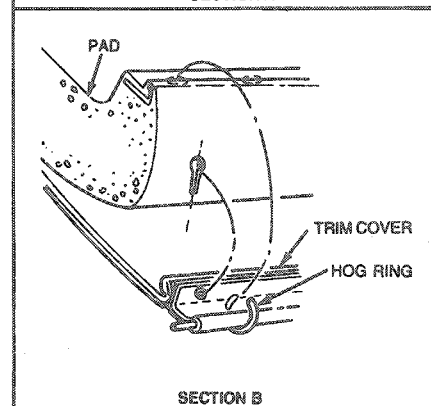


HOG RINGS, 17 REQ'D
ALONG BOTTOM

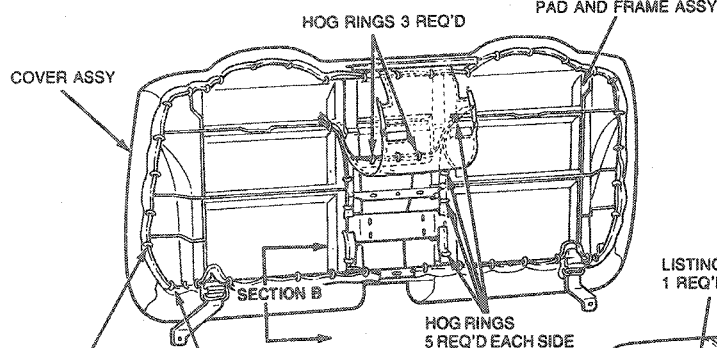
"L" SHOWN
"LS" AND
"GS" SIMILAR



SECTION A



SECTION B



HOG RINGS, 16 REQ'D
ALONG BOTTOM

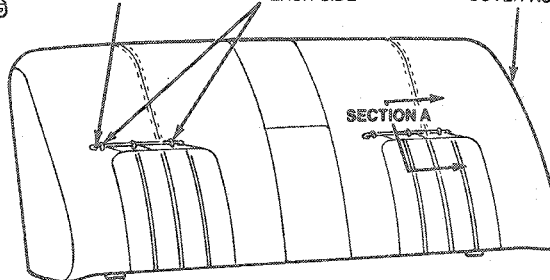
"LX" SEAT TRIM

HOG RINGS, 25 REQ'D
ALONG SIDES AND TOP

LISTING WIRE
1 REQ'D EACH SIDE

HOG RINGS
3 REQ'D
EACH SIDE

COVER ASSY



PAD AND FRAME
ASSY

TYPICAL

R4174-D

Seat, Front—Center Armrest Cover

Removal

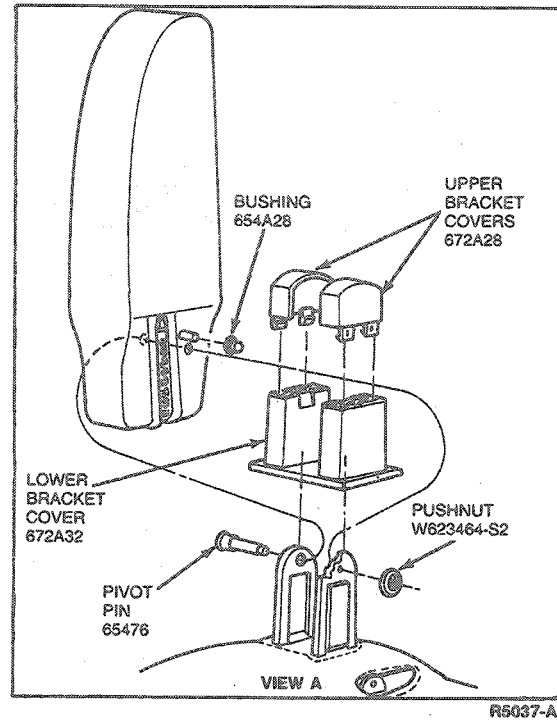
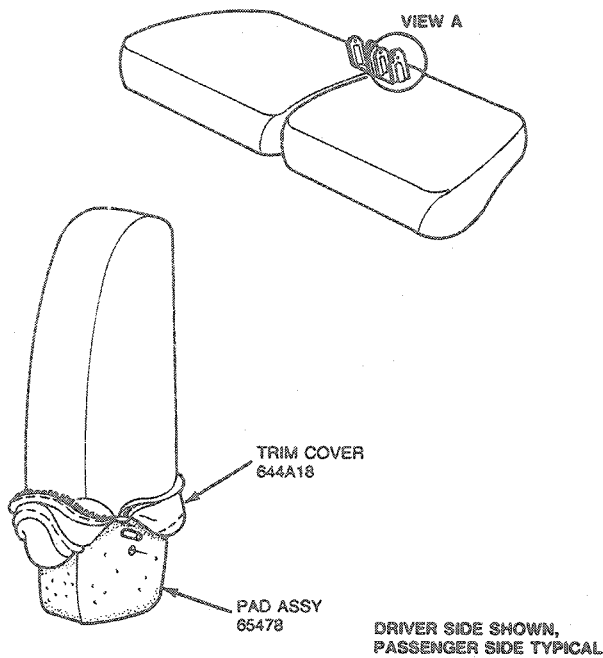
1. Remove upper armrest pivot bracket covers to gain access to pivot pin attaching armrest to seat cushion assembly.
2. Pry off pushnut and remove armrest pivot pin and armrest. Discard push nut.
3. Remove bushing from armrest rod.
4. Unfasten rear closure, and slip cover off pad and base assembly.

Installation

1. Slip new cover over pad and base assembly and close rear fastener.
2. Install bushing on armrest rod.
3. Assemble armrest to armrest pivot bracket. Install armrest pivot pin and new pushnut, ensure clamp load applied.

REMOVAL AND INSTALLATION (Continued)

4. Install upper armrest pivot bracket covers.



Seat, Rear—Center Armrest Cover

Removal

1. Remove rear seat cushion and rear seat back assembly from vehicle as outlined.
2. Remove the four nuts retaining the armrest support to the rear seat back and remove the armrest assembly.
3. Remove two pivot pins retaining armrest to support.

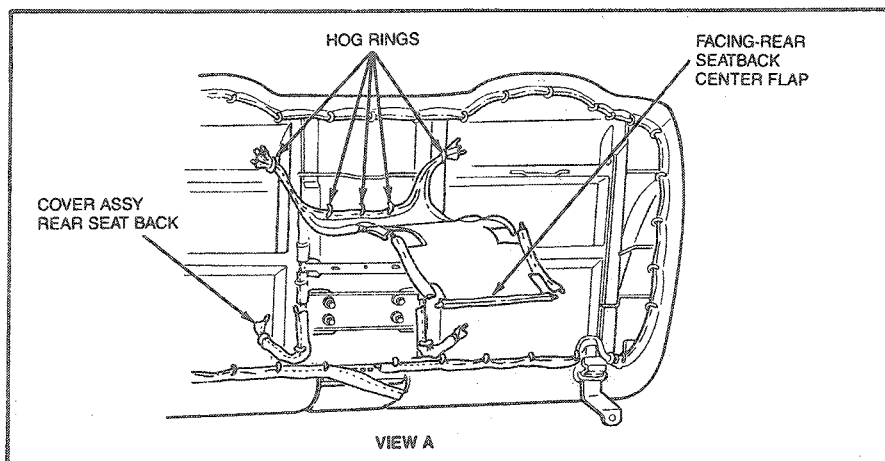
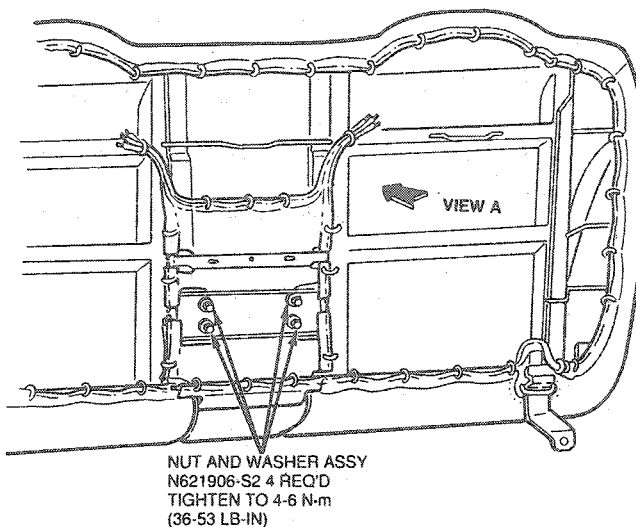
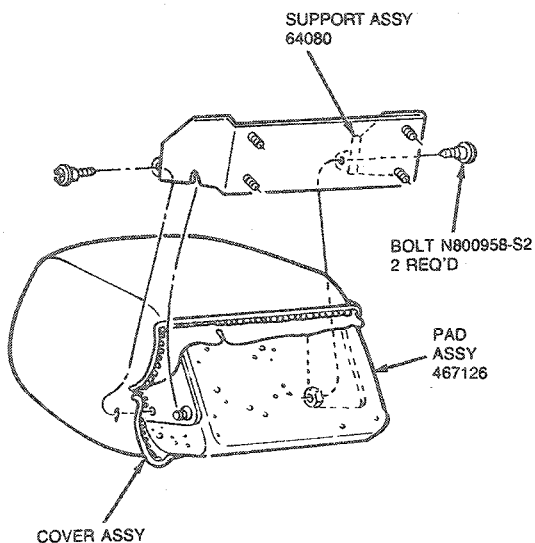
4. Unzip the zipper, and slip the cover off the pad and base assembly.

Installation

1. Slip the new cover over the pad and base assembly and close the zipper.
2. Assemble the center armrest to the support. Install the two pivot pins.
3. Install support assembly on seat back and tighten four retaining nuts to 4-6 N·m (36-53 lb-in).

REMOVAL AND INSTALLATION (Continued)

4. Install the rear seat back assembly and the rear seat cushion in the vehicle as outlined.



R4176-F

ADJUSTMENTS

The manual recliner system is modular and does not require adjustments. However, proper lubrication of a hesitant seat back recliner assembly is permitted using Multi-Purpose Grease DOAZ-19584-AA (ESR-M1C159-A and ESB-M1C106-B) or equivalent.

The only authorized service permitted on the recliner mechanism is the following:

1. Tightening of all retaining screws as outlined.
2. Replacement (in entirety) of a damaged or non-functional recliner assembly.
3. Removal of any foreign material, such as tie straps, pieces of foam and trim.

SPECIFICATIONS

TORQUE SPECIFICATIONS

Description	N-m	Lb-Ft
Latch-to-Seat Back Screws	20-43	15-31
Latch-to-Seat Cushion Screws	44-60	31-44
Seat Track Front Bolts	17-23	13-17
Front Inboard Bolt	17-23	13-17
Rear Outboard Nuts	17-23	13-17
Rear Inboard Nut	68-92	50-68
Seat Track-to-Seat Screws	17-23	13-17
Strap and Buckle Assy Nut	30-43	23-31
Rear Seat Pivot Frame Nuts	17-27	13-19
Seat Back Bolts	4.3-6.3	39-55 (Lb-in)

(Continued)

SPECIFICATIONS (Continued)

TORQUE SPECIFICATIONS (Cont'd)

Description	N-m	Lb-Ft
Seat Back Bracket Bolt	4.6-6.8	41-61 (Lb-In)
Rear Seat Back-to-Floorpan Bolts	35-55	26-40
Rear Seat Latch Release Nuts	7-11	6-8
Auxiliary Seat-to-Floorpan Screws	17-27	13-19
Head Restraint Bracket Bolts	7-11	6-8
Seat Back Support Nuts	4-6	36-53

SPECIAL SERVICE TOOLS

ROTUNDA EQUIPMENT

Model	Description
007-00001	Digital Volt Ohmmeter

SECTION 01-10B Seat, Articulated Sport

SUBJECT	PAGE	SUBJECT	PAGE
DESCRIPTION	01-10B-1	REMOVAL AND INSTALLATION (Cont'd.)	
DIAGNOSIS	01-10B-2	Back Trim Cover, Front Seat	01-10B-3
OPERATION		Cushion, Front Seat	01-10B-7
Lumbar and Bolster Support	01-10B-1	Lumbar Support Pad	01-10B-8
REMOVAL AND INSTALLATION		SPECIFICATIONS	01-10B-9
Air Pump/Motor	01-10B-9	VEHICLE APPLICATION	01-10B-1

VEHICLE APPLICATION

Taurus SHO.

DESCRIPTION

Seat trim replacement requires removal and installation of seat components such as seat tracks, seat assemblies and head restraints. Refer to Section 01-10A for procedures.

OPERATION

Lumbar and Bolster Support

The lumbar and bolster support system consists of two switches, a lumbar support (air bag), two bolster support air bags, a pump and motor assembly, related wiring harness and plastic tubing.

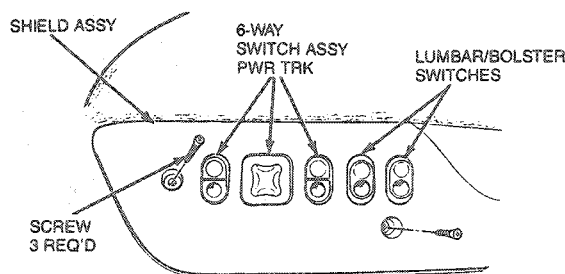
During the inflate mode, the compressor pumps air through a hose to the lumbar or bolster switch check valve where air is routed through a separate hose to the lumbar or bolster support air bags located in the seat back. The bolster support air bags actuate a spring-loaded guide and slide mechanism which articulate the bolsters inward when inflated. Except for support bolster air bags and mechanical system, all components are generally located at or under the seat cushion frame.

The switch performs three functions:

- Activates motor which activates air pump.
- Acts as a one-way check valve for air passage to lumbar and bolster support bags. Once inflated, the switch is returned to its normal mode and the check valve closes. This maintains air pressure in the bag.

- When deflated the check valve opens to deflate the lumbar or bolster bag. The spring-loaded bolster mechanism then returns to its retracted position. In this mode, the pump does not operate.

CAUTION: The longer nipple on the switch (located at the center of the switch body) should always be connected to the hose leading to the lumbar support. The shorter nipple on the switch body connects to the air pump outlet. If this order is reversed, the lumbar bag will not hold air pressure.



R5661-B

DIAGNOSIS

LUMBAR SUPPORT SYSTEM

CONDITION	POSSIBLE SOURCE	ACTION
● Motor Pump Inoperative	<ul style="list-style-type: none"> ● Fuse burned out. ● Loose electrical connections. ● Worn or damaged motor. ● Worn or damaged switch. 	<ul style="list-style-type: none"> ● Replace fuse. If fuse blows again, check for short circuit. ● Secure connections at motor / pump, switch and floor harness. ● Replace motor. ● Replace switch.
● Air Will Not Fill Lumbar Support Bag	<ul style="list-style-type: none"> ● Loose air line connectors. ● Cuts in air hoses or tubes. ● Kinked air hoses or tubes. ● Worn or damaged switch. ● Worn or damaged lumbar support bag. ● Worn or damaged pump. 	<ul style="list-style-type: none"> ● Secure all connections as necessary. ● Service or replace as necessary. ● Route hoses or tubes as necessary. ● Replace switch. ● Replace lumbar support bag. ● Replace pump.
● Air Fills Lumbar Support Bag But Will Not Hold Air Pressure for Extended Length of Time	<ul style="list-style-type: none"> ● Improper tube / hose connections. ● Worn or damaged switch (leaking). ● Worn or damaged lumbar support bag (leaking). ● Worn or damaged pressure relief valve. 	<ul style="list-style-type: none"> ● Properly connect all hoses. ● Replace switch. ● Replace lumbar support bag. ● Replace lumbar tube assembly.
● Lumbar Switch Inflates Back Bolster	<ul style="list-style-type: none"> ● Air lines reversed. 	<ul style="list-style-type: none"> ● Reverse air lines where connected at seat back.

TR6221C

BOLSTER SUPPORT SYSTEM

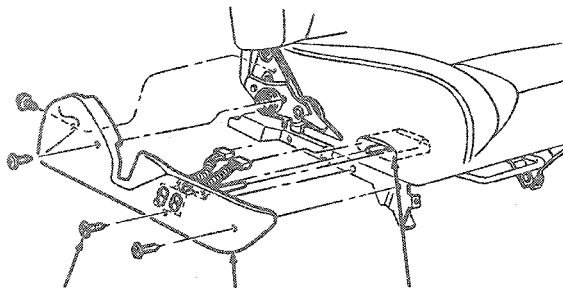
CONDITION	POSSIBLE SOURCE	ACTION
● Motor Pump Inoperative	<ul style="list-style-type: none"> ● Fuse burned out. ● Loose electrical connections. ● Worn or damaged motor. ● Worn or damaged switch. 	<ul style="list-style-type: none"> ● Replace fuse. If fuse blows again, check for short circuit. ● Secure connections at motor / pump, switch and floor harness. ● Replace motor. ● Replace switch.
● Bolster Will Not Move or Partially Moves While Inflating	<ul style="list-style-type: none"> ● Loose air line connections. ● Cuts in air hoses or tubes. ● Kinked air hoses or tubes. ● Worn or damaged switch. ● Worn or damaged bolster support bag. ● Worn or damaged pump. ● Worn or damaged bolster mechanism. ● Air lines reversed at switch. 	<ul style="list-style-type: none"> ● Secure all connections as necessary. ● Service or replace as necessary. ● Route hoses or tubes as necessary. ● Replace switch. ● Replace bolster support bag. ● Replace pump. ● Replace bolster mechanism. ● Reverse air lines at switch.
● Bolster Moves But Will Not Maintain Inflate Position	<ul style="list-style-type: none"> ● Improper tube / hose connections. ● Worn or damaged switch. ● Worn or damaged bolster support bag. 	<ul style="list-style-type: none"> ● Properly connect all hoses. ● Replace switch. ● Replace bolster support bag.
● Bolster Switch Inflates Lumbar	<ul style="list-style-type: none"> ● Air lines reversed. 	<ul style="list-style-type: none"> ● Reverse air lines where connected at seat back.
● Bolster Inflates but Does Not Retract	<ul style="list-style-type: none"> ● Worn or damaged switch. ● Worn or missing bolster return springs. ● Worn or damaged bolster mechanism. ● Kinked air hoses or tubes. 	<ul style="list-style-type: none"> ● Replace switch. ● Replace return springs. ● Replace bolster mechanism. ● Route hoses or tubes as necessary.
● Bolster Detaches from Seat	<ul style="list-style-type: none"> ● Bolster stops damaged. 	<ul style="list-style-type: none"> ● Replace mechanism.

TR6222B

REMOVAL AND INSTALLATION

Back Trim Cover, Front Seat**Removal and Installation**

1. Remove front seat and track assembly from vehicle. Refer to Section 01-10A. Place seat on a clean surface.
2. Remove four screws from the front seat cushion side shield.

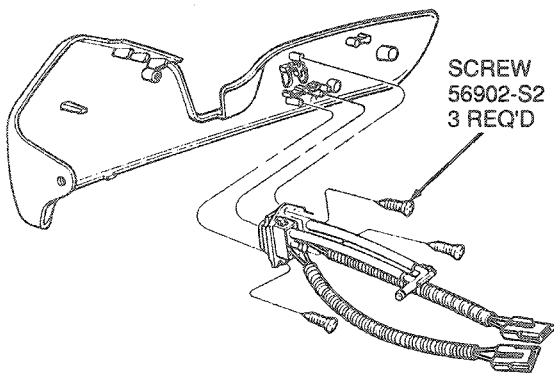


SCREW 56906-S55 4 REQ'D
SHIELD ASSY 62186
PRE-CUT HOLE W/J-RETAINER

PASSENGER SEAT SHOWN
DRIVER SEAT TYPICAL

R6224-B

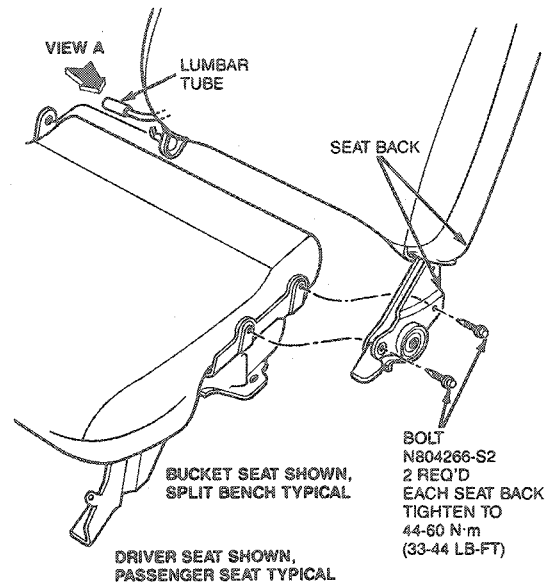
3. Disconnect lumbar, bolster and pump tubes from switch assembly.
4. Disconnect lumbar and bolster electrical connectors from seat wiring harness and remove shield from seat.



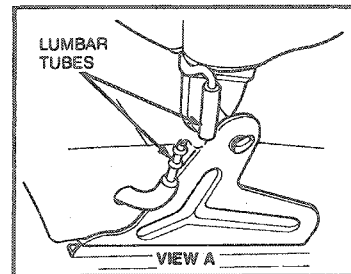
SCREW 56902-S2
3 REQ'D

R6225-B

5. Remove two bolts from seat back recliner-to cushion frame and track assembly.
6. Disconnect the bolster and lumbar tubes between seat back and cushion frame.



DRIVER SEAT SHOWN,
PASSENGER SEAT TYPICAL

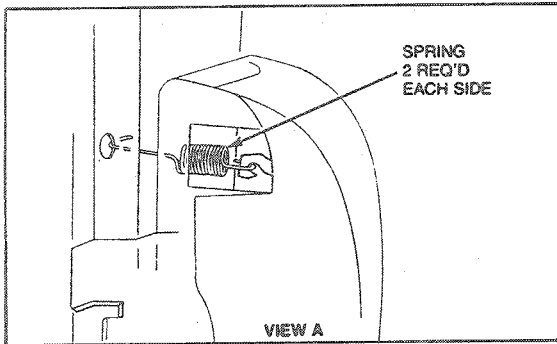
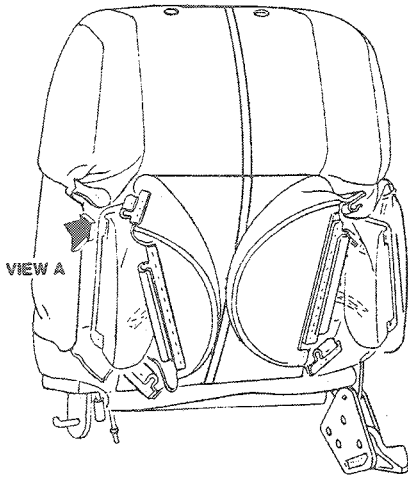


R7017-A

7. Refer to Section 01-10A for head restraint removal. Unhook the J-retainers at the bottom of the seat back trim covers (same as base seat).
8. Disconnect three J-retainers from the left bolster pad armature and three J-retainers from the right bolster pad armature. Pull trim cover from left and right bolster pad armatures leaving both bolster pad armatures exposed.

REMOVAL AND INSTALLATION (Continued)

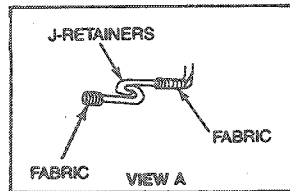
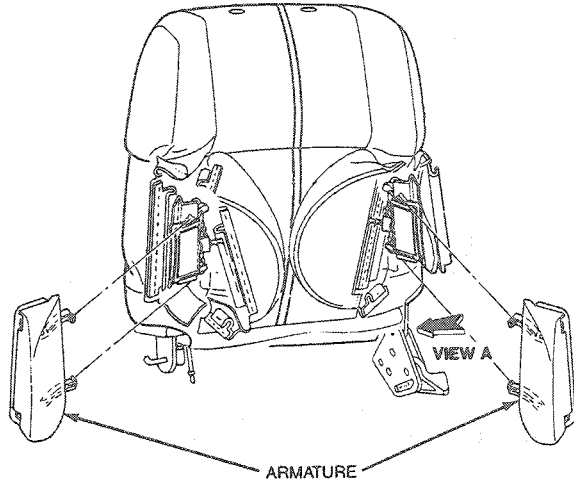
- 9. Disconnect two springs from the left bolster pad armature and two springs from the right bolster pad armature.



DRIVER SEAT SHOWN,
PASSENGER SEAT TYPICAL

R6248-A

- 10. Disconnect the top and bottom guide arms of the left bolster pad armature from the left bolster guide and the top and bottom guide arms of the right bolster pad armature from the right bolster guide.

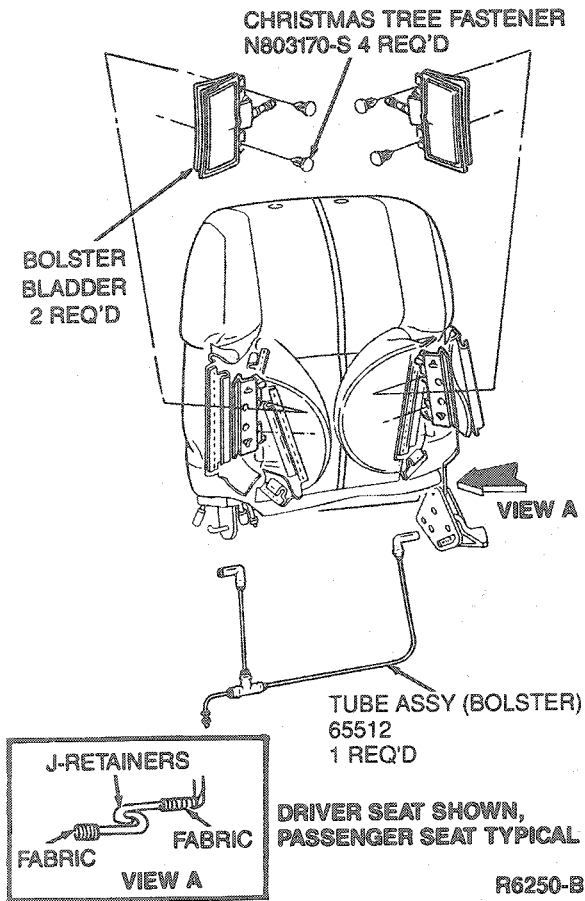


DRIVER SEAT SHOWN,
PASSENGER SEAT TYPICAL

R6249-A

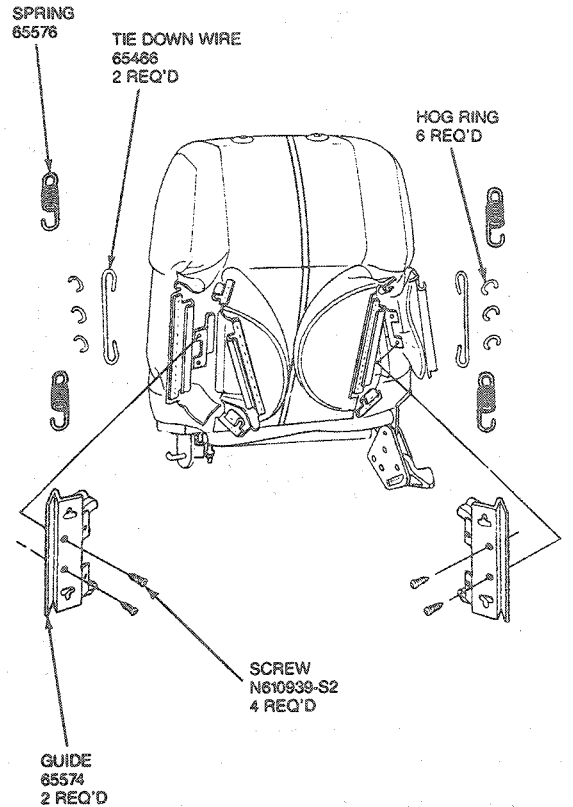
REMOVAL AND INSTALLATION (Continued)

11. Disconnect tube assembly from each bolster bladder. Remove two Christmas-tree fasteners from each bolster bladder and each bolster guide.



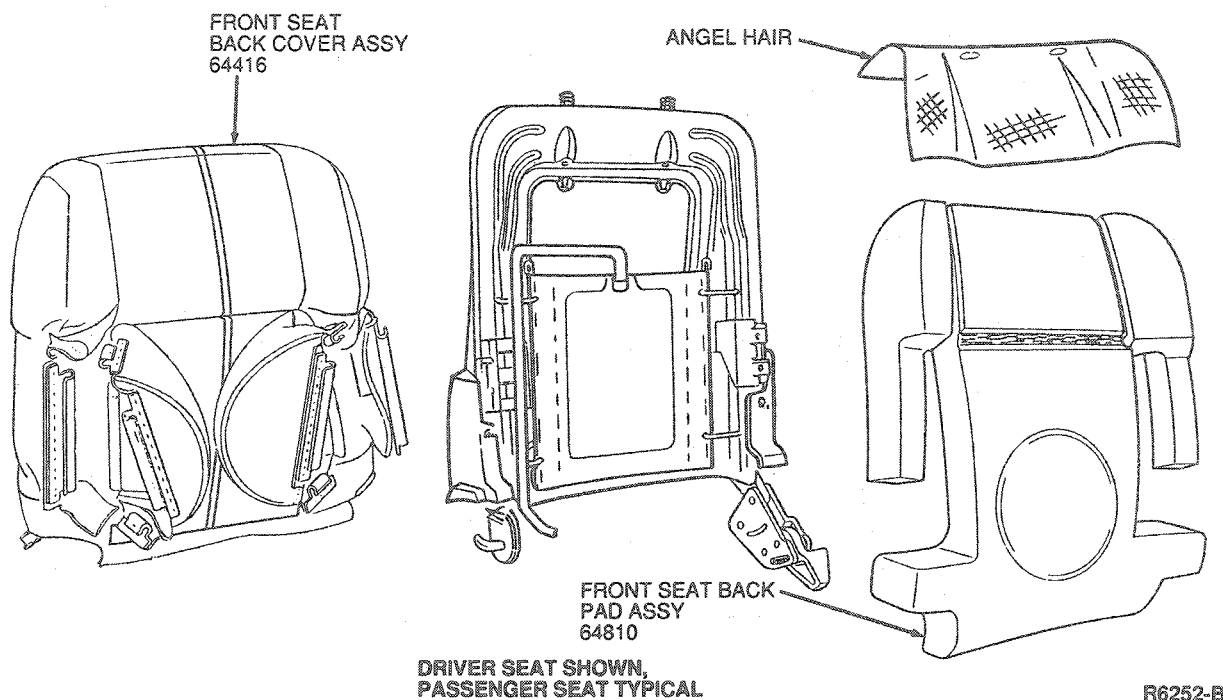
12. Remove two screws from each bolster guide and brackets on seat back frame. Disconnect the bottom of two springs from the seat back frame at the left bolster opening and two springs from the seat back frame at the right bolster opening.

13. Remove bolster tubing from between lumbar bladder and back side of seat back pad.
14. Cut three hog rings from each bolster listing tie down wire and lumbar listing wires and remove each bolster tie down wire from each bolster listing.



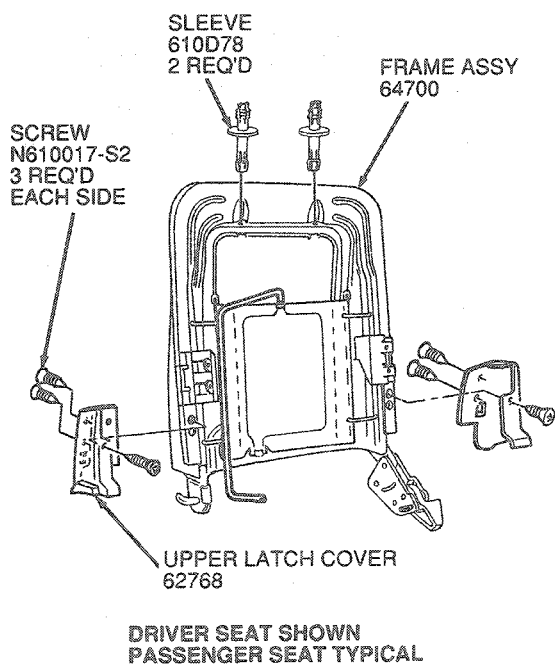
REMOVAL AND INSTALLATION (Continued)

15. Separate hook and loop fastener from seat back trim cover at top center seam from seat back pad. Slip seat trim cover from seat back frame and pad assembly. Remove angel hair from pad. Remove pad from seat back frame and head restraint guide rod sleeves.



16. Remove three screws from the left upper latch cover and seat back frame and three screws from the right upper latch cover and seat back frame.

17. To install, reverse Removal procedure. The removal procedures are listed for the driver's seat, the passenger seat is typical.

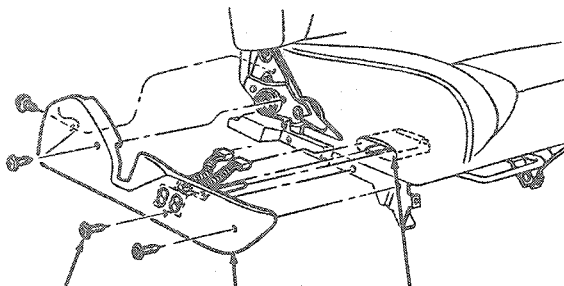


REMOVAL AND INSTALLATION (Continued)

Cushion, Front Seat

Removal and Installation

1. Remove front seat and track assembly. Refer to Section 01-10A. Place seat on a clean surface.
2. Remove four screws from the front seat cushion side shield.



SCREW
56906-S55
4 REQ'D

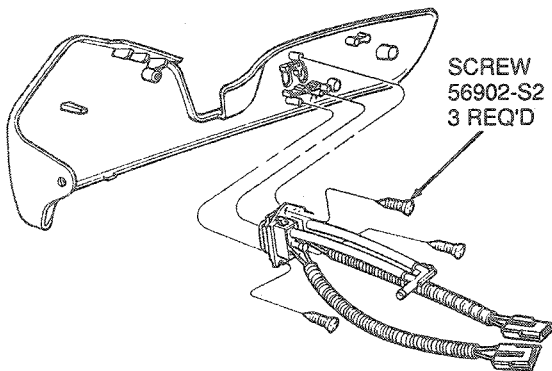
SHIELD ASSY
62186

PRE-CUT
HOLE W/J-RETAINER

PASSENGER SEAT SHOWN
DRIVER SEAT TYPICAL

R6224-B

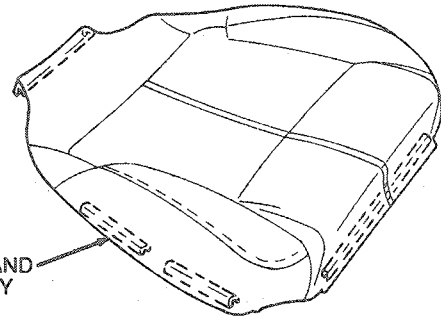
3. Disconnect lumbar, bolster and pump tubes from switch assembly.
4. Disconnect lumbar and bolster electrical connectors from seat wiring harness and remove shield from seat.



SCREW
56902-S2
3 REQ'D

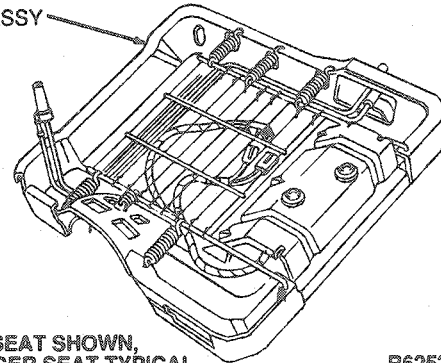
R6225-B

5. Remove two bolts from seat back recliner to cushion frame and track assembly.
6. Disconnect the bolster and lumbar tubes between seat back and cushion frame.
7. Remove J-retainers on cover from cushion frame assembly at front, rear and sides. Remove cover and pad assemblies from frame assembly making sure that lumbar and bolster tubes slide through slit at rear top of inner side facing of cover assembly freely.



COVER AND
PAD ASSY

FRAME ASSY
63100



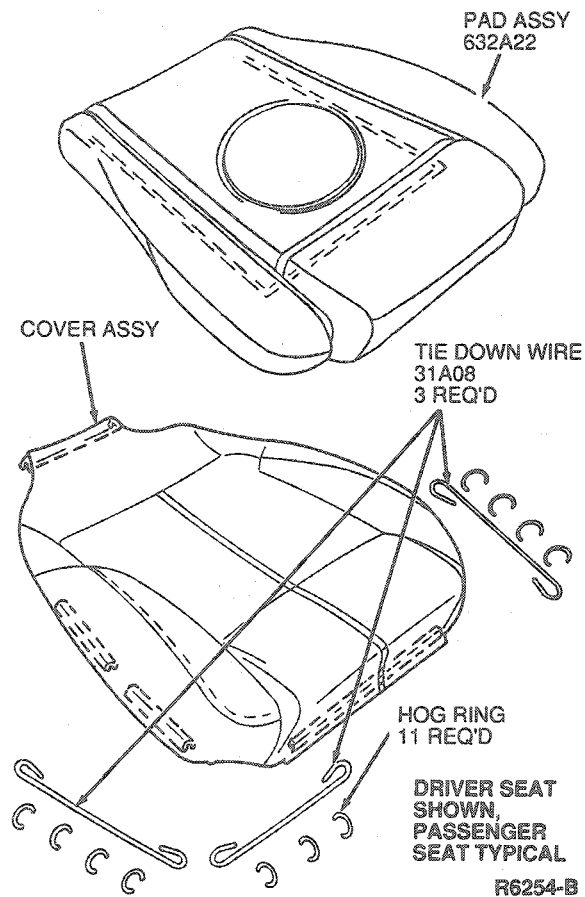
DRIVER SEAT SHOWN,
PASSENGER SEAT TYPICAL

R6253-B

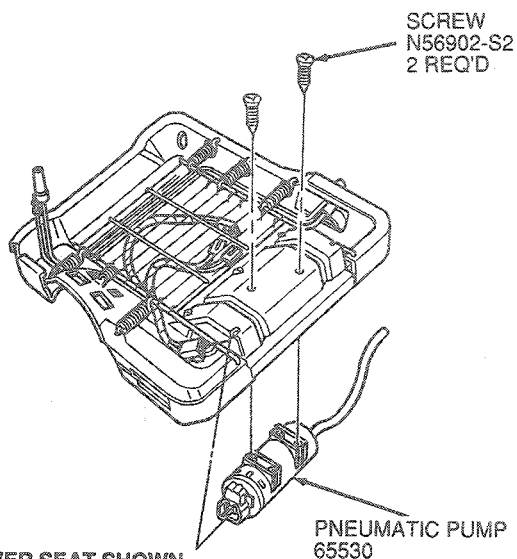
8. Lift front and sides of cover assembly from pad assembly exposing cover listings and wires embedded in pad assembly. Cut four hog rings from each cover side wire listing and each pad wire.

REMOVAL AND INSTALLATION (Continued)

9. Cut three hog rings from front cover wire listing and front pad wire. Remove cover assembly from pad assembly. Remove each side listing tie down wire from each listing and remove front listing tie down wire from front listing.



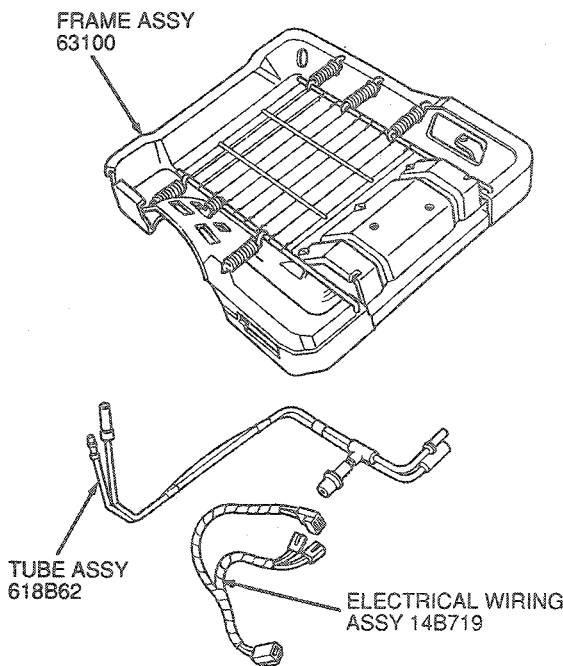
10. Remove electrical connector from pneumatic pump. Remove two screws from cushion frame and pneumatic pump. Remove pneumatic pump from cushion frame.



DRIVER SEAT SHOWN
PASSENGER SEAT TYPICAL

R6235-B

11. Remove electrical harness from cushion frame. Remove tubing assembly from cushion frame.



DRIVER SEAT SHOWN
PASSENGER SEAT TYPICAL

R6236-B

12. To install, reverse Removal procedure.

Lumbar Support Pad

Removal

1. Remove the seat and track assembly. Refer to Section 01-10A. Place the seat on a clean surface.

REMOVAL AND INSTALLATION (Continued)

2. Remove seat cushion and disconnect lumbar support pad inflating tube.
3. Remove the seat back trim cover and pad assembly from the seat back frame as outlined.
4. Using a screwdriver or similar tool, pry the lumbar support pad retaining hooks outward. Remove the pad from the seat back frame.

Installation

1. Position the lumbar support pad to the seat back frame, and install the retaining hooks into the frame assembly.
2. Install the seat back pad and trim cover as outlined.
3. Install the seat cushion and connect the lumbar support pad inflating tube. Tighten the inboard pivot screw to 19-27 N·m (14-15 lb-ft). Tighten the two outboard retaining screws to 30-43 N·m (23-31 lb-ft).
4. Install the seat and track assembly. Refer to Section 01-10A.
5. Check the seat tracks and safety belts for proper operation.

Air Pump/Motor**Removal**

1. Remove the front seat cushion cover and pad assembly as outlined.

2. Remove the two screws retaining the pump and motor assembly to the cushion frame.
3. Disconnect the inflating tube and electrical connector from the pump and motor and remove the pump/motor.

Installation

1. Connect the inflating tube and electrical connector to the pump and motor assembly.
2. Install the pump/motor on the frame with the two retaining screws.
3. Install the cushion pad and trim cover as outlined.

SPECIFICATIONS**TORQUE SPECIFICATIONS**

Description	N·m	Lb·Ft
Seat Back-to-Cushion Pivot Screw	19-27	15-19
Seat Back-to-Cushion Screws	30-43	23-31
Seat Back-to-Cushion Frame Screws	44-60	33-44