

# SECTION 01-05 Trim, Interior

SUBJECT	PAGE	SUBJECT	PAGE
DESCRIPTION .....	01-05-1	REMOVAL AND INSTALLATION (Cont'd.)	
REMOVAL AND INSTALLATION		Trim Panel, Luggage Compartment .....	01-05-14
Auxiliary Visor Assembly .....	01-05-18	Trim Panel, Package Tray .....	01-05-23
Carpets and Floor Mats .....	01-05-21	Trim Panel, Quarter .....	01-05-7
End Cap Replacement, Roll-Up Type .....	01-05-25	Trim Panel, Roof Side Rear .....	01-05-7
Finish Panel, Upper Rear Corner .....	01-05-16	Trim Panels, Cowl Side .....	01-05-6
Headlining .....	01-05-19	Trim Panels, Door .....	01-05-1
Luggage Cover .....	01-05-24	Trim Panels, Scuff Plate/Lower Body Center Pillar .....	01-05-5
Moulding, A-Pillar .....	01-05-15	SPECIAL SERVICE TOOLS .....	01-05-26
Sun Visor—With Lamp .....	01-05-17	SPECIFICATIONS .....	01-05-26
Sun Visors .....	01-05-17	VEHICLE APPLICATION .....	01-05-1
Trim Panel, Liftgate .....	01-05-13		
Trim Panel, Lower Rear Corner, LH .....	01-05-12		

## VEHICLE APPLICATION

Taurus/Sable.

## DESCRIPTION

This Section covers removal and installation of interior mouldings and trim components. In some instances, one component overlaps another component. When this occurs, it will be necessary to loosen or remove the overlapping component before removal of the desired component.

## REMOVAL AND INSTALLATION

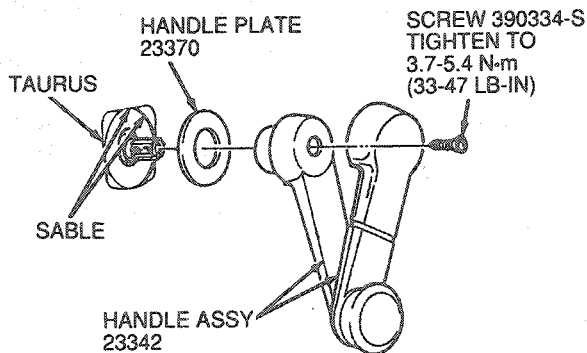
The interior trim component Removal and Installation procedures generally apply to all models. If some of the Steps do not apply to the particular model being serviced, proceed to the next Step.

### Trim Panels, Door

#### Removal and Installation

#### Tools Required:

- Rotunda Moulding / Trim Kit 107-00401
1. Remove window regulator handle by unsnapping handle cover from base to expose retaining screw. Remove screw, handle and wearplate (manual windows).



R4348-C

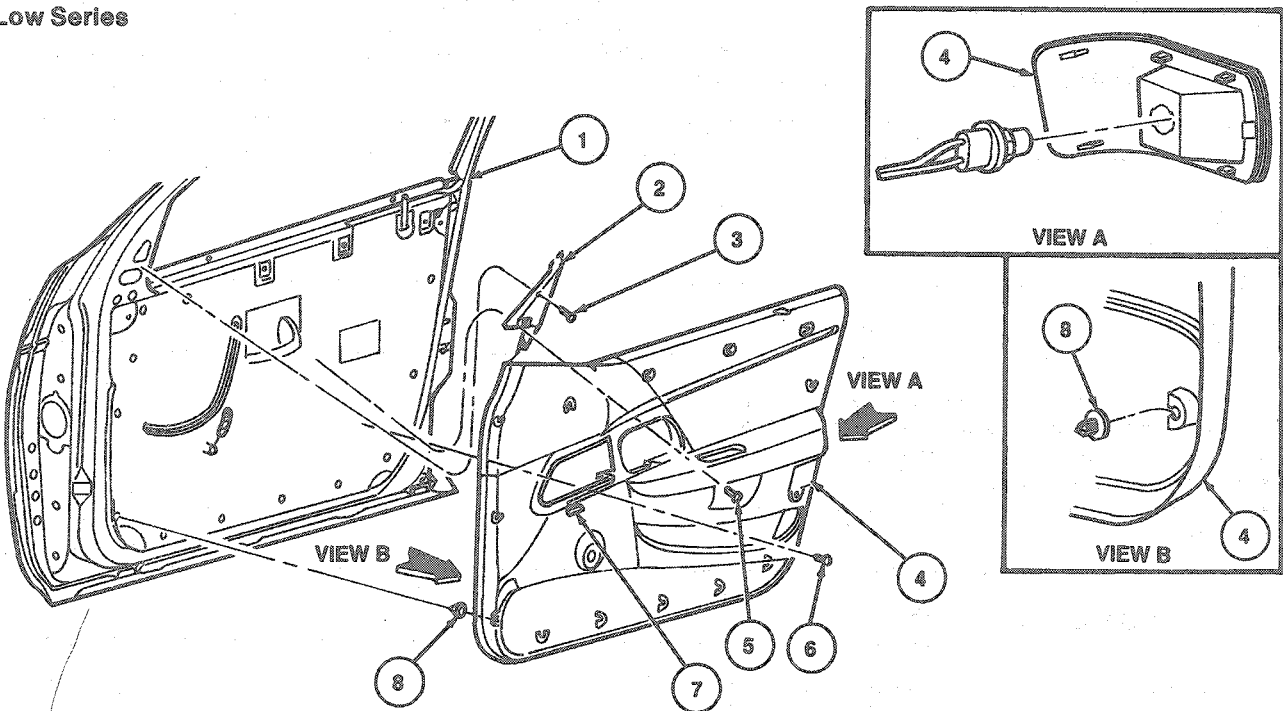
2. Remove outside rear view mirror mounting hole cover retaining screw and cover (front door only).

**REMOVAL AND INSTALLATION (Continued)**

3. Remove housing and switch assembly (power window or power window / door lock retaining screws).
4. Remove wiring connector screw from switch assembly.
5. Remove all screws retaining door trim panel to door. Using Trim Pad Removing Tool from Rotunda Moulding / Trim Kit 107-00401 or equivalent, pry trim panel retaining push pins from door inner panel.
6. Disconnect all door wiring.
7. If trim panel is to be replaced, transfer all push pins, window or window and door lock switch housing assembly, express window module and power mirror switch to new panel. Replace any bent, damaged or missing push pins.
8. To install, reverse Removal procedure.

Door, Front

Low Series

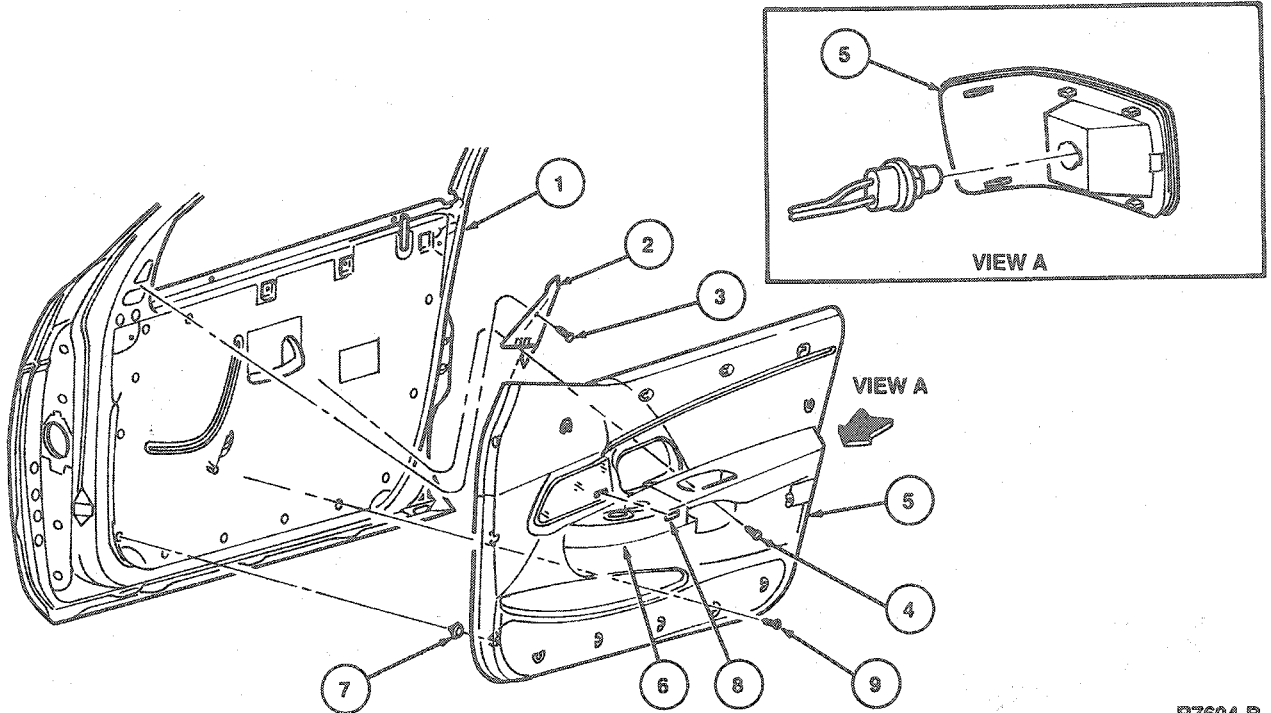


R7597-B

Item	Part Number	Description
1	—	Front Door Assy
2	17K709 (LH) 17D691 (RH)	Rear View Mirror Mounting Hole Cover
3	N800486-S58	Screw (1 Req'd Each Side)
4	23942 / 43	Front Door Trim
5	N805621-S58	Screw and Washer Assy (1 Req'd Each Side)
6	55929-S9	Screw and Washer Assy (1 Req'd Each Side)
7	18K870	Radio Identification Decal
8	N802900-S	Push Pin (14 Req'd Each Side)

REMOVAL AND INSTALLATION (Continued)

High Series



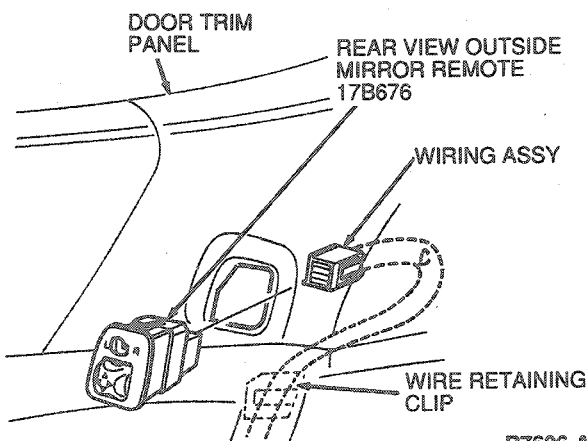
R7604-B

Item	Part Number	Description
1	—	Front Door Assy
2	17K709 (LH) 17D691 (RH)	Rear View Mirror Mounting Hole Cover
3	N800486-S58	Screw (1 Req'd Each Side)
4	N805621-S58	Screw and Washer Assembly (1 Req'd Each Side)

Item	Part Number	Description
5	23942 / 43	Front Door Trim Panel Assy
6	14B132 (RH) 14B133 (LH)	Switch and Housing Assy
7	N802900-S	Push Pin (14 Req'd Each Side)
8	18K870	Radio Identification Decal
9	N805621-S58	Screw and Washer Assy (1 Req'd Each Door)

(Continued)

Mirror, Rear View Switch



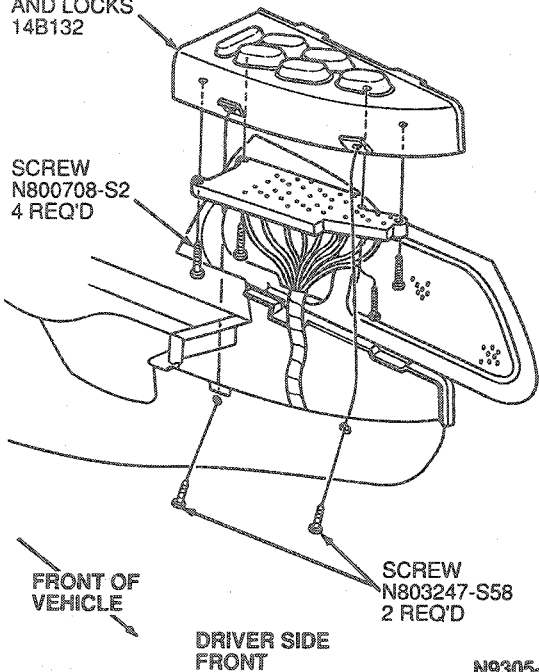
R7606-A

REMOVAL AND INSTALLATION (Continued)

Door, Front Switch

POWER WINDOW AND LOCKS 14B132

SCREW N800708-S2 4 REQ'D

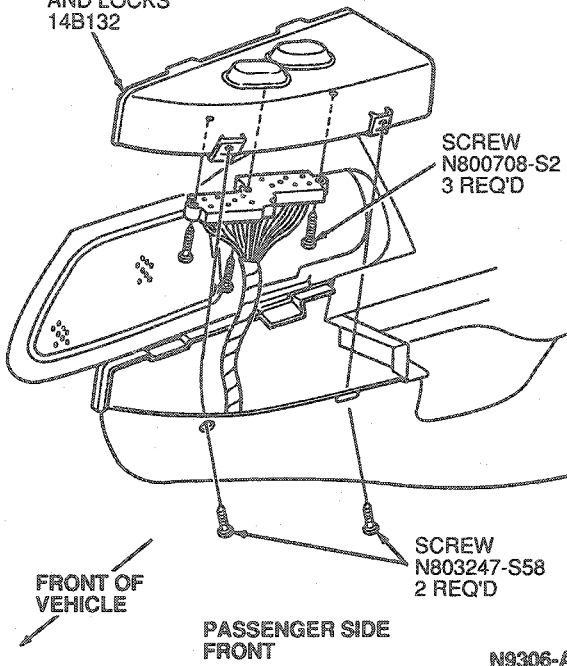


DRIVER SIDE FRONT

N9305-A

POWER WINDOW AND LOCKS 14B132

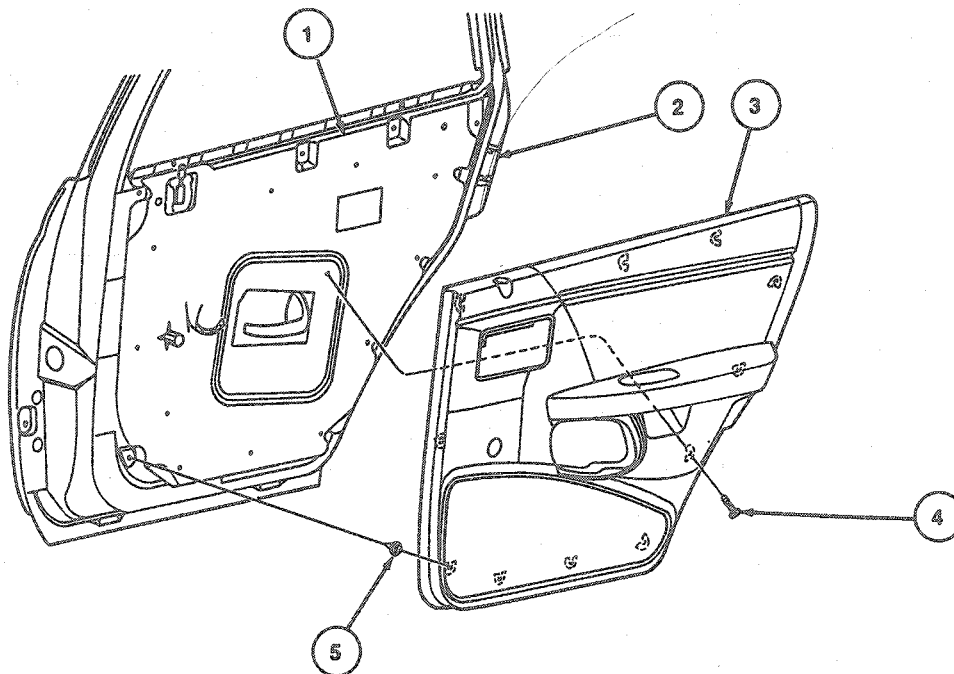
SCREW N800708-S2 3 REQ'D



PASSENGER SIDE FRONT

N9306-A

Door, Rear

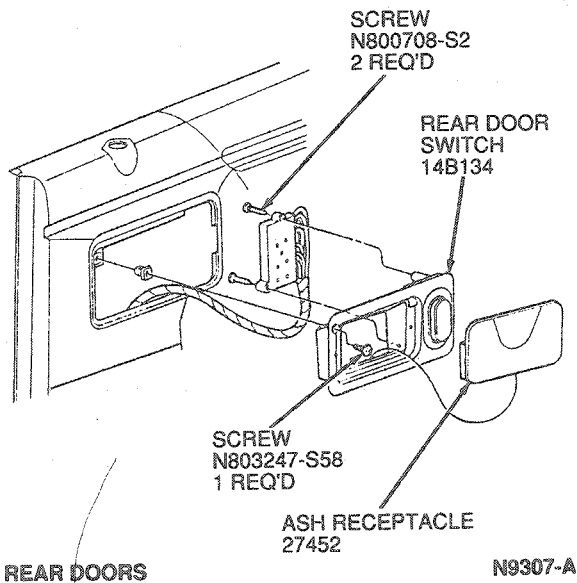


R7605-A

## REMOVAL AND INSTALLATION (Continued)

Item	Part Number	Description
1	237A04	Rear Door Trim Water Shield Assy
2	—	Rear Door Assembly
3	27406 (LH) 27407 (RH)	Rear Door Trim Panel Assy
4	N805621-S58	Screw (1 Req'd Each Side)
5	N802900-S	Push Pin (11 Req'd Each Side)

## Door, Rear Switch



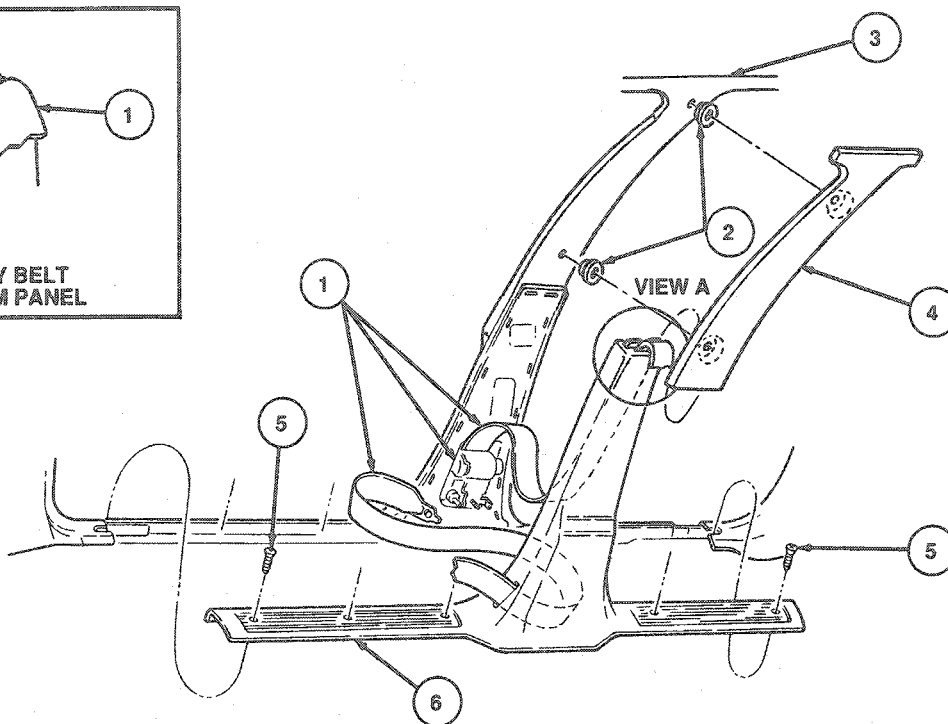
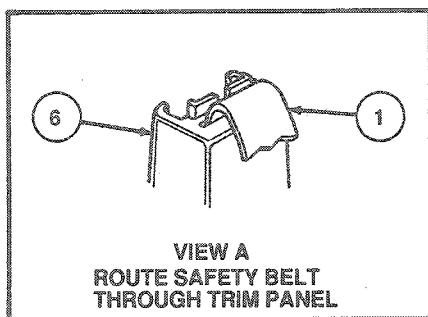
## Trim Panels, Scuff Plate/Lower Body Center Pillar

## Removal and Installation

1. Remove safety belt D-ring cover.
2. Remove D-ring bolt.
3. Pry push pins from center body pillar to remove upper center body pillar inside finish panel.
4. Remove scuff plate / lower center pillar trim panel retaining screws and panel.
5. Remove safety belt anchor bolt and slide safety belt through lower center pillar trim panel slot.
6. To install, reverse Removal procedure.

**NOTE:** Position safety belt anchor tab into original position while feeding in lower center pillar trim.

## REMOVAL AND INSTALLATION (Continued)



R4353-E

Item	Part Number	Description
1	611A72	Safety Belt and Retractor Assy
2	N806705-S	Bushing (2 Req'd Each Side)
3	51968	Roof Trim Panel
4	24346	Upper Center Pillar Trim Panel
5	N804992-SW	Screw and Washer (5 Req'd Each Side)
6	13208	Scuff Plate

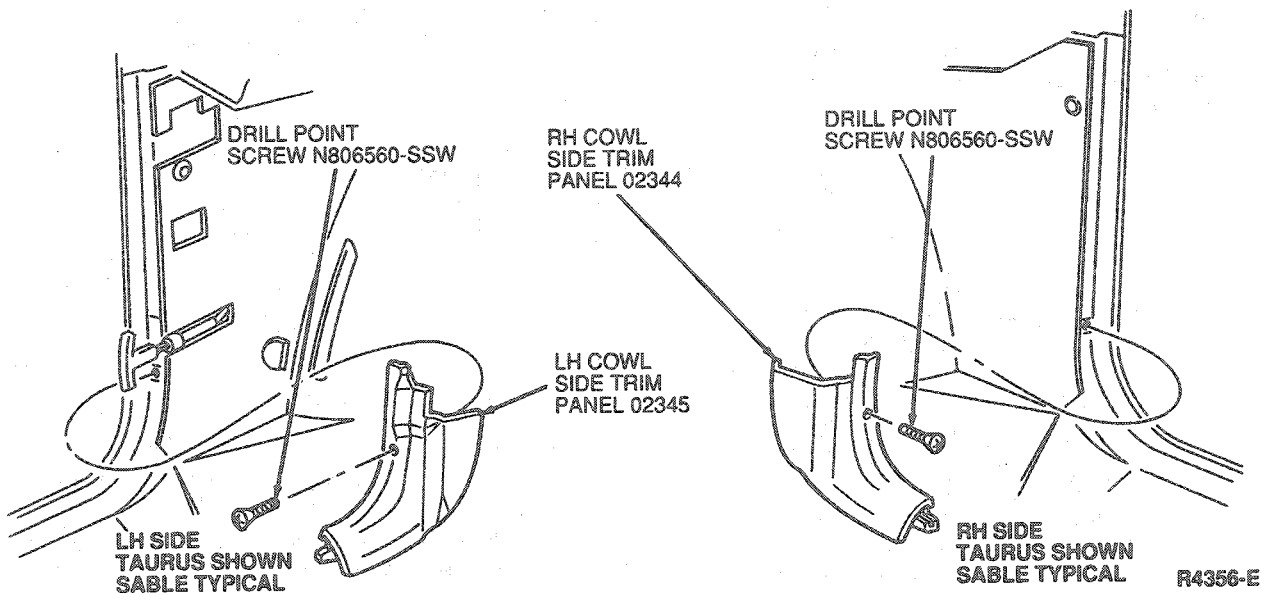
**Trim Panels, Cowl Side****Removal and Installation**

1. Remove retaining screws at front scuff plate to loosen panel.

2. Remove cowl side trim panel retaining screw and panel.

**REMOVAL AND INSTALLATION (Continued)**

3. To install, reverse Removal procedure.



**Trim Panel, Roof Side Rear**

**Sedan**

**Removal and Installation**

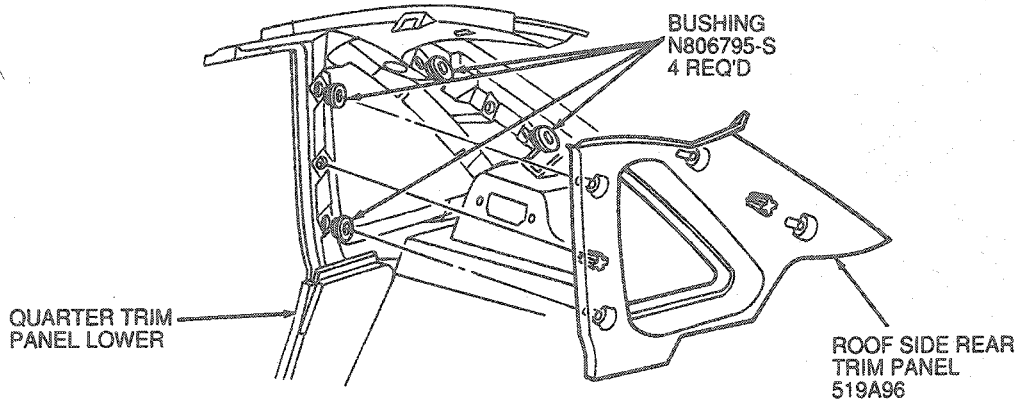
1. Remove primary weatherstrip at rear door opening from headliner and roof side rear trim panel.

2. Remove push pins at front of quarter window opening and at rear to remove roof side rear trim panel.

3. To install, reverse Removal procedure.

NOTE: Check primary weatherstrip to ensure it is properly secured.

**Taurus/Sable**



R7598-A

**Trim Panel, Quarter**

**Sedan**

**Removal and Installation**

1. Remove rear seat. Refer to Section 01-10A.

2. Remove roof side rear trim panel as outlined.

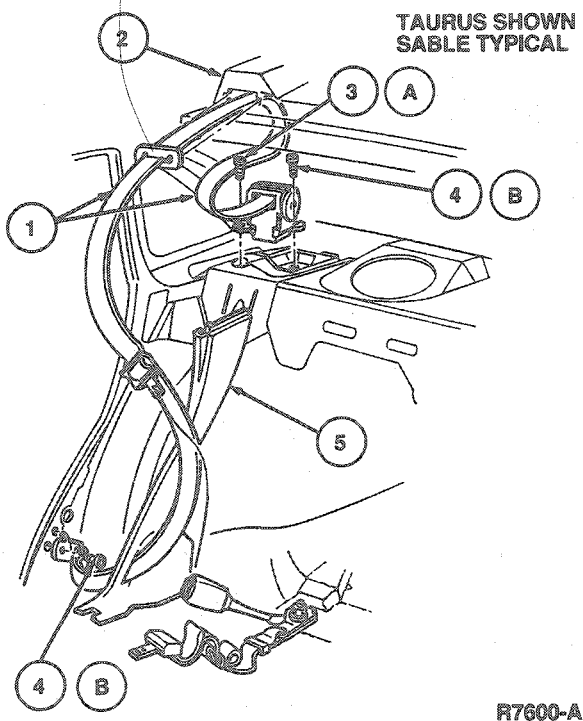
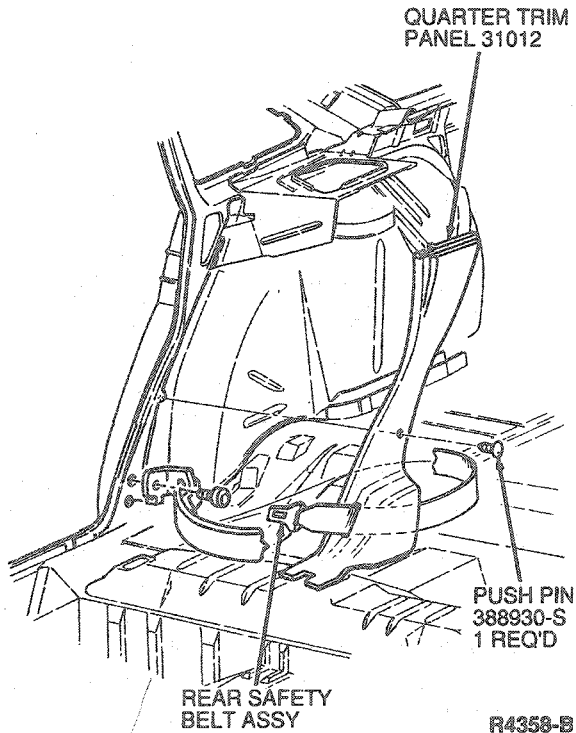
3. Remove screws at rear scuff plate to loosen panel.

4. Remove quarter trim panel retaining push pin and panel.

## REMOVAL AND INSTALLATION (Continued)

5. Remove bolt at safety belt anchor tab and slide belt through access slot in quarter trim panel.
6. To install, reverse Removal procedure.

NOTE: Position safety belt anchor tab into original position while feeding in quarter trim panel.



Item	Part Number	Description
1	611B68	Rear Safety Belt and Retractor Assy
2	46668	Package Tray Trim Panel Assy
3A	N801010-S40	Screw (1 Req'd Each Side)
4B	389370-S100	Bolt (1 Req'd Each Side)
5	31012	Quarter Trim Panel Assembly
A		Tighten to 23-32 N·m (17-23 Lb·Ft)
B		Tighten to 30-40 N·m (23-29 Lb·Ft)

## Wagon

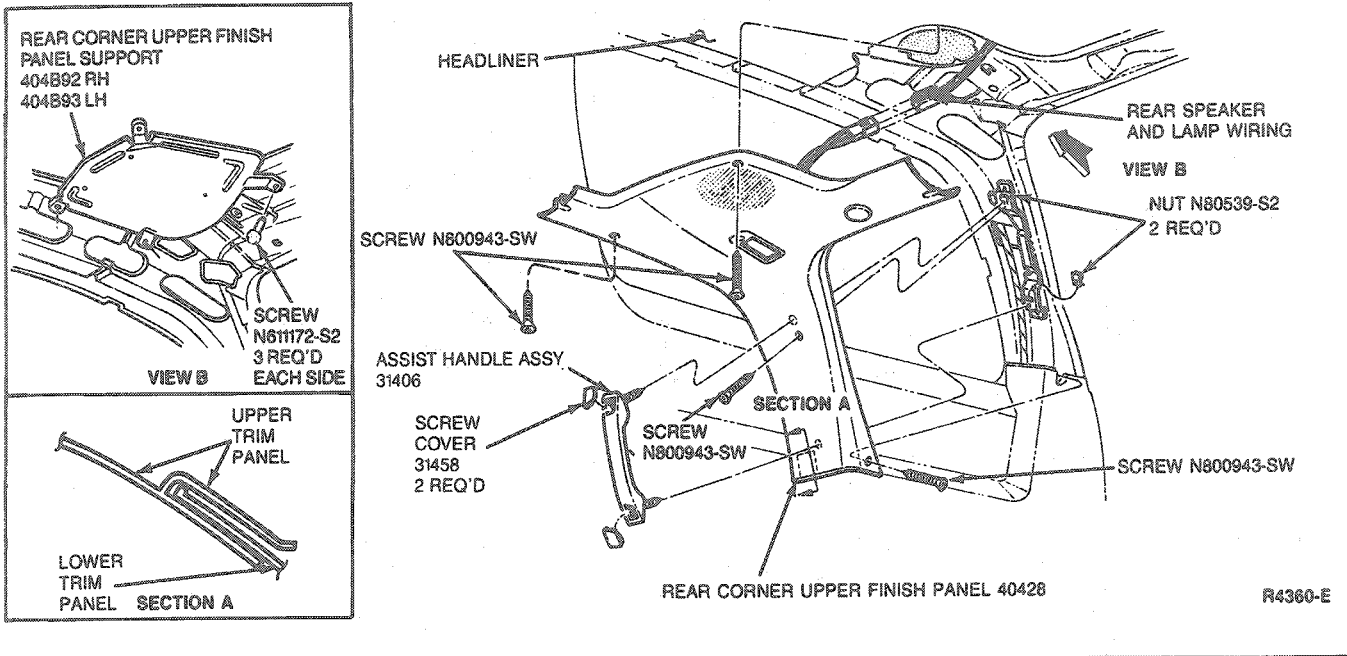
## Removal and Installation

1. Remove rear seat. Refer to Section 01-10A,
2. Remove roof side inner rear moulding retaining screws and moulding as outlined.
3. Remove liftgate header rail garnish moulding retaining screws and moulding.
4. Remove assist handle (RH side and back) retaining screws and handle.

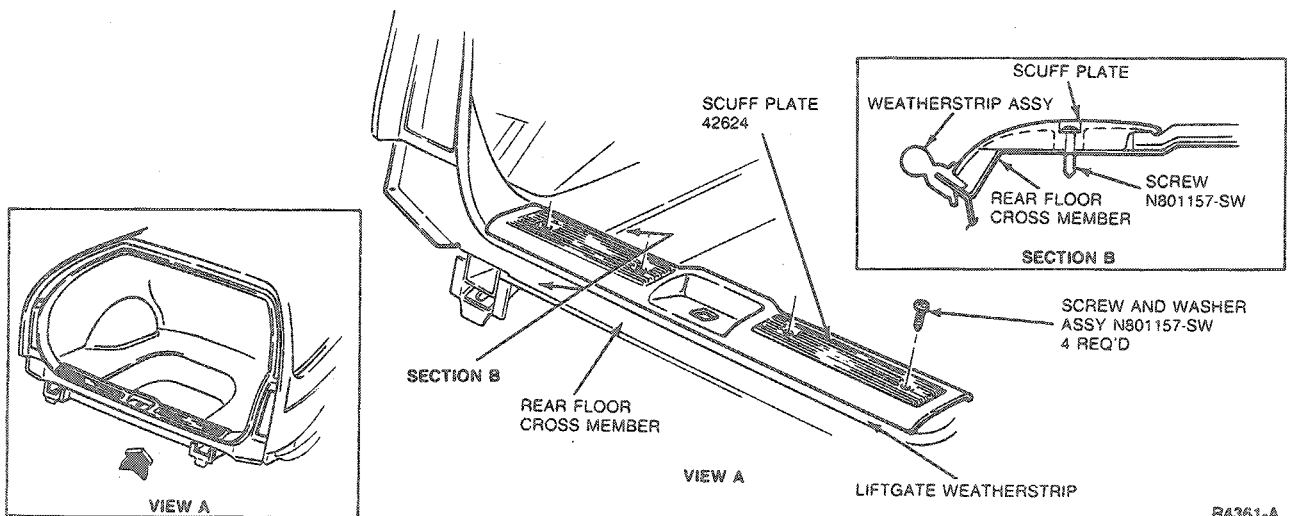


**REMOVAL AND INSTALLATION (Continued)**

5. Remove rear corner upper finish panel retaining screws. Disconnect electrical connectors and remove panel.

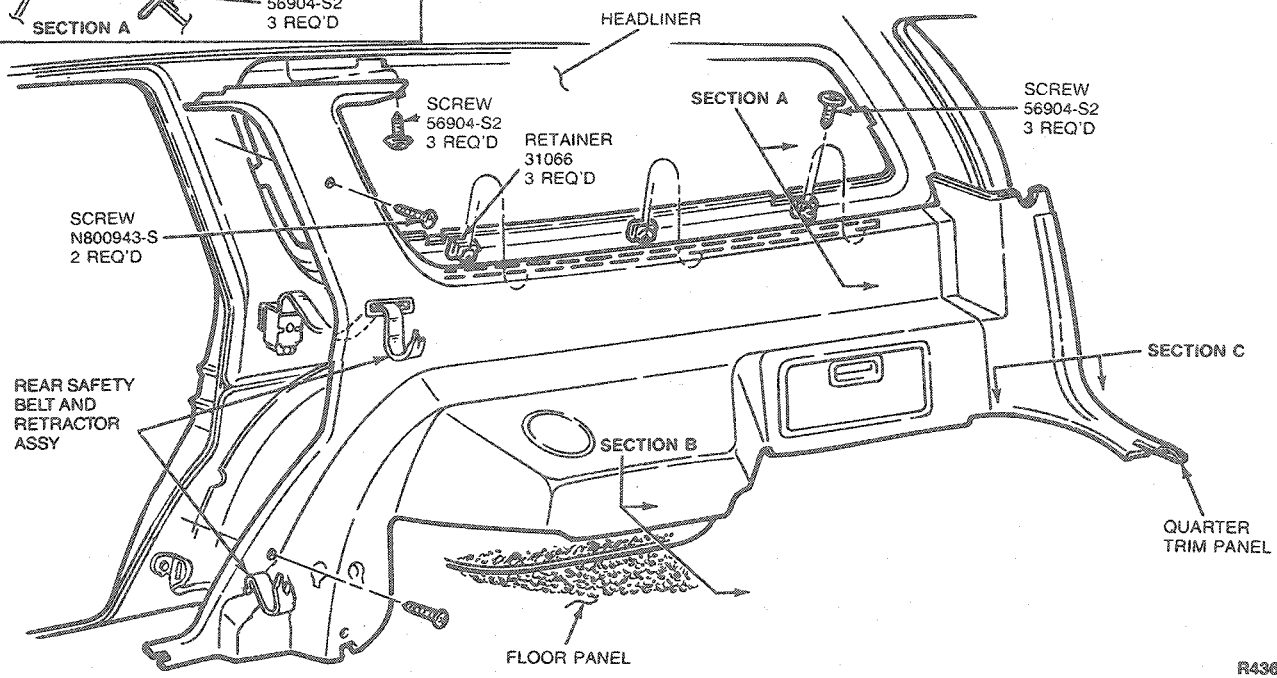
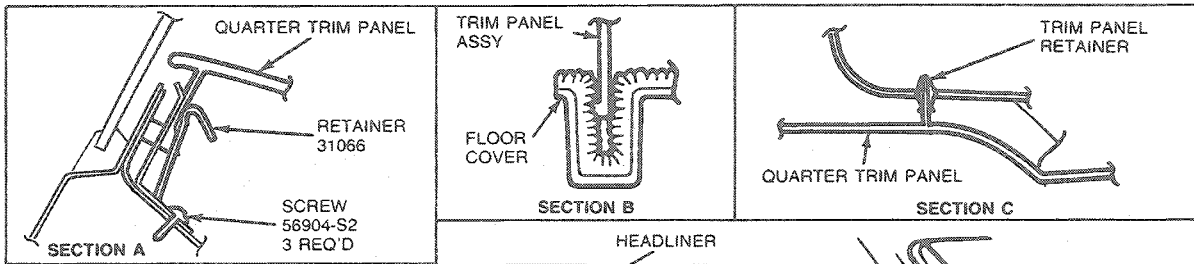


6. Remove center body pillar mouldings and roof side mouldings as outlined.
7. Remove liftgate scuff plate retaining screws and scuff plate.
8. Remove spare wheelcover retaining screws and cover (LH side, if so equipped).
9. Remove quarter trim panel retaining screws and panel.
10. To install, reverse Removal procedure.



REMOVAL AND INSTALLATION (Continued)

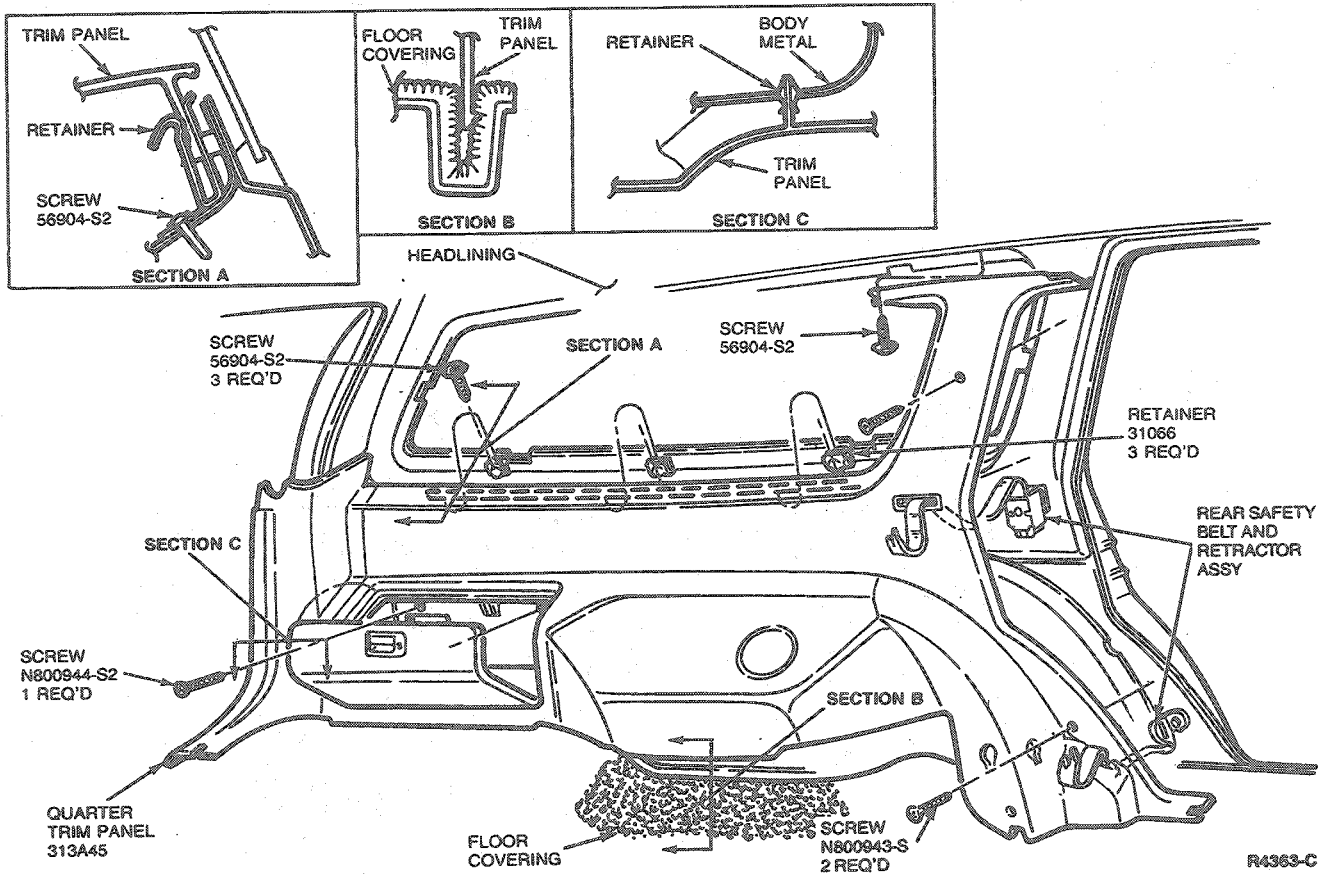
RH



R4362-C

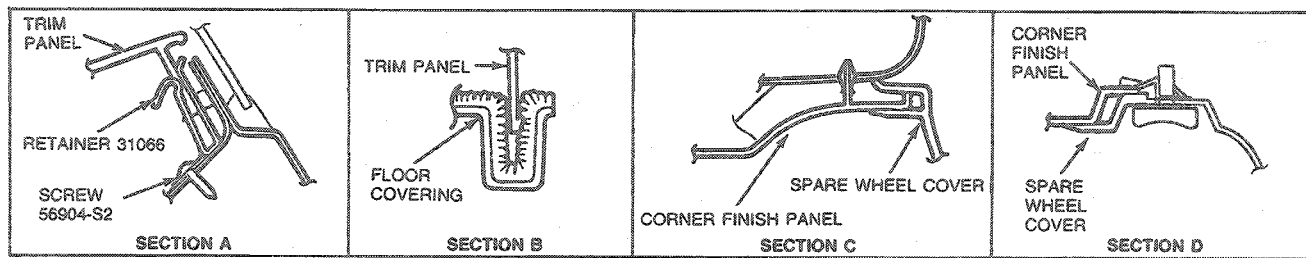
### REMOVAL AND INSTALLATION (Continued)

LH, Optional

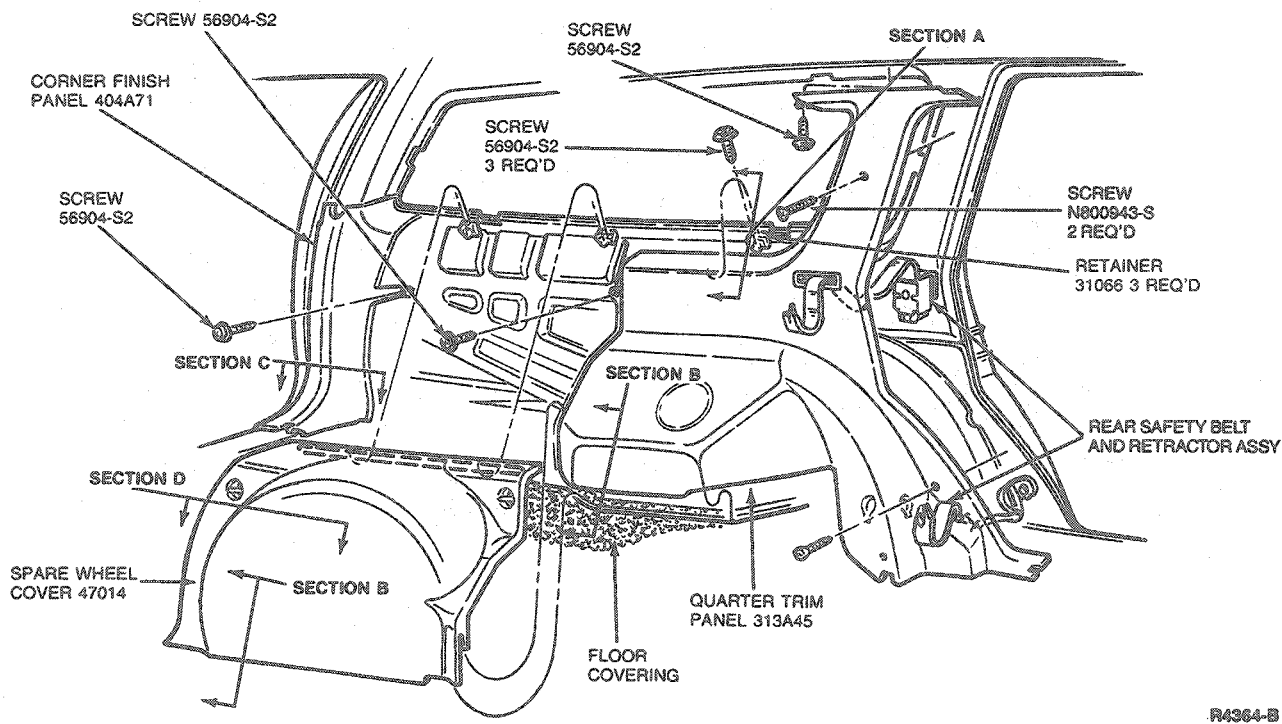


REMOVAL AND INSTALLATION (Continued)

LH, Standard



HEADLINING



R4364-B

Trim Panel, Lower Rear Corner, LH

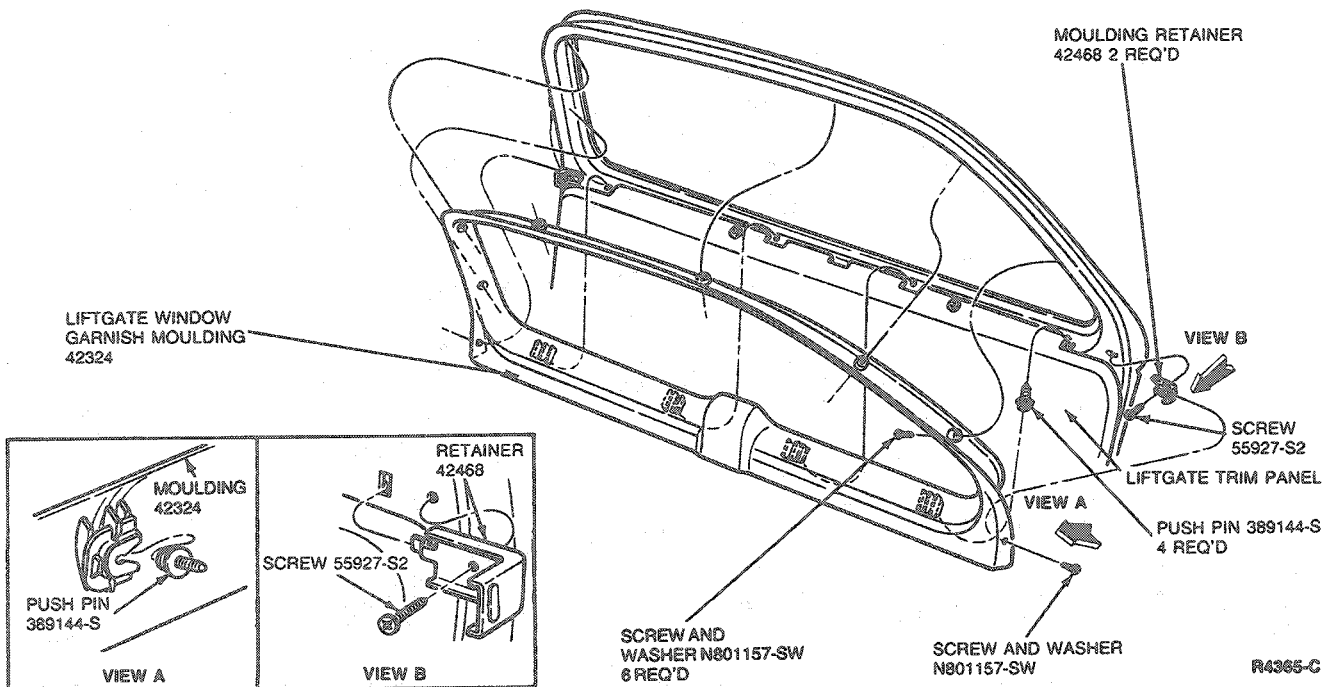
Wagon

Removal and Installation

1. Remove roof side inner rear moulding retaining screws and moulding as outlined.

## REMOVAL AND INSTALLATION (Continued)

2. Remove liftgate header rail garnish moulding retaining screws and moulding.



3. Remove rear corner upper finish panel retaining screws and panel as outlined.
4. Remove spare wheelcover retaining screws and cover as outlined.
5. Remove quarter trim panel retaining screws and panel as outlined.
6. Remove liftgate scuff plate retaining screws and plate as outlined.
7. Remove rear corner inner lower finish panel retaining screws and panel.
8. To install, reverse Removal procedure.

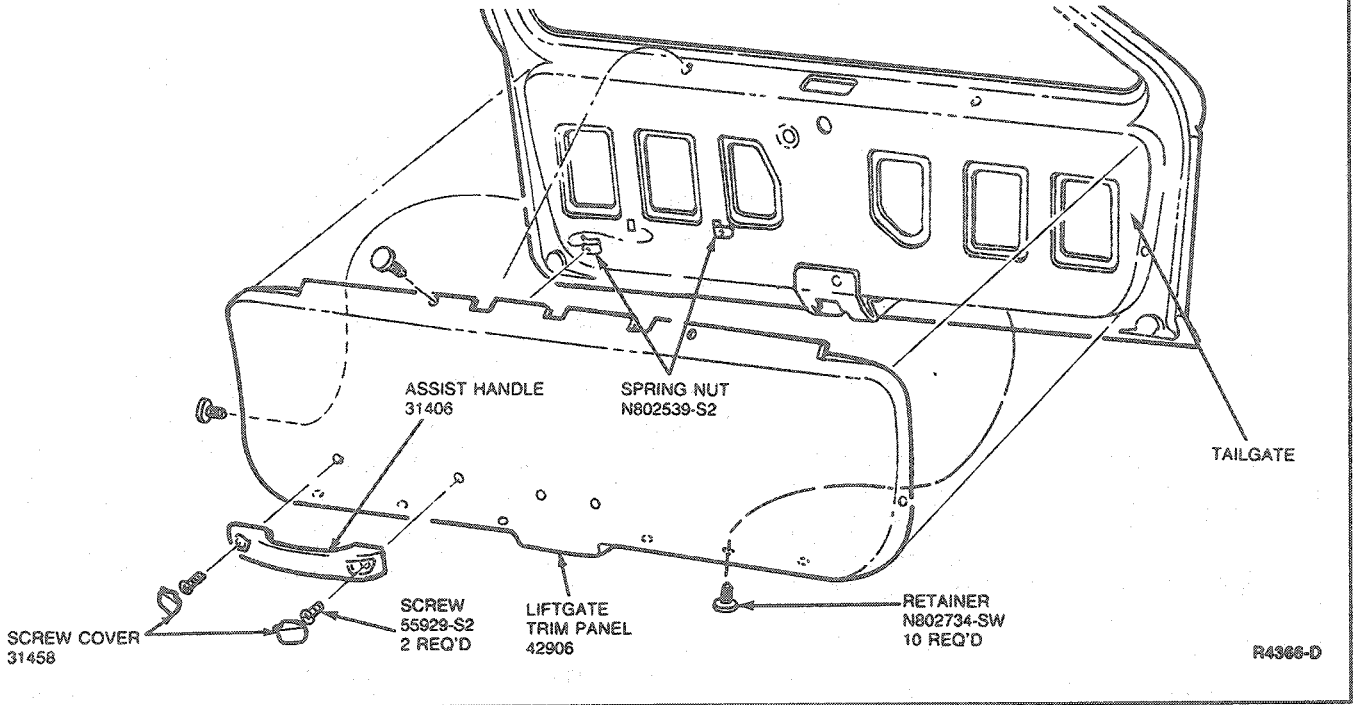
2. Remove liftgate header rail garnish moulding retaining screws and moulding as shown under Lower Rear Corner Trim Panel, Removal and Installation, Step 2.
3. Remove liftgate assist handle retaining screws and handle.
4. Using the Trim Pad Removing Tool from Rotunda Moulding / Trim Kit 107-00401 or equivalent, pry out 10 push pins retaining liftgate trim panel. Remove panel.

### Trim Panel, Liftgate Removal and Installation

1. Disconnect rear window defroster wires (RH and LH).

**REMOVAL AND INSTALLATION (Continued)**

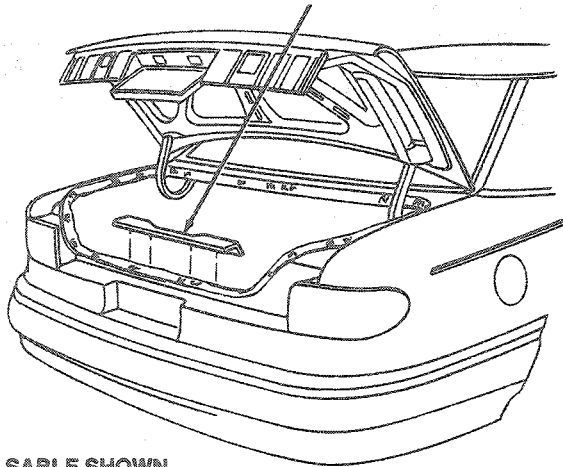
- 5. To install, reverse Removal procedure. Replace any bent or damaged push pins.



**Trim Panel, Luggage Compartment**

Remove and install luggage compartment trim as shown.

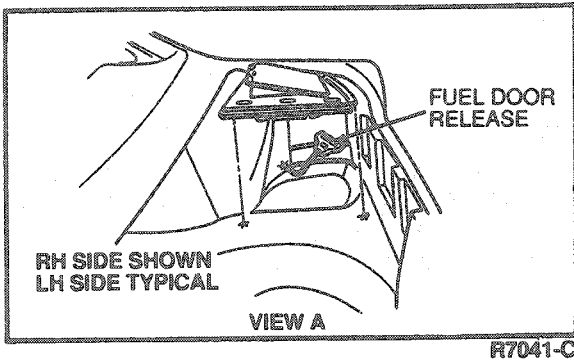
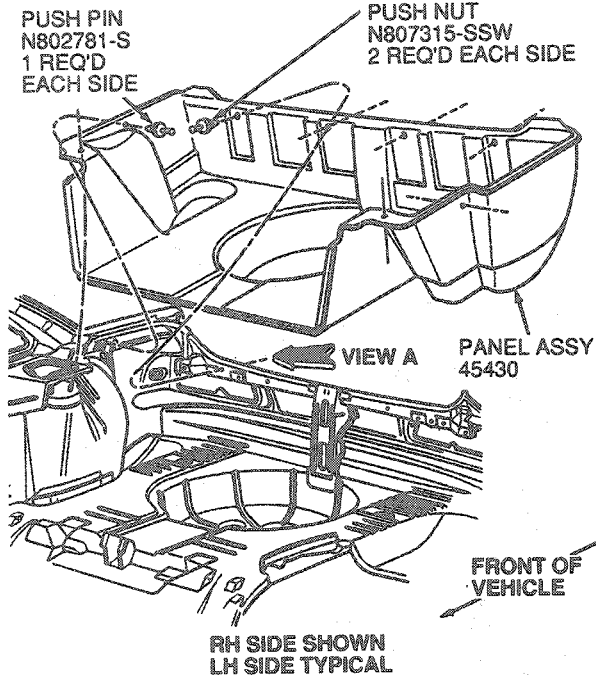
LUGGAGE COMPARTMENT  
DECK LID SCUFF  
PLATE 42624



SABLE SHOWN  
TAURUS TYPICAL

R7601-A

### REMOVAL AND INSTALLATION (Continued)

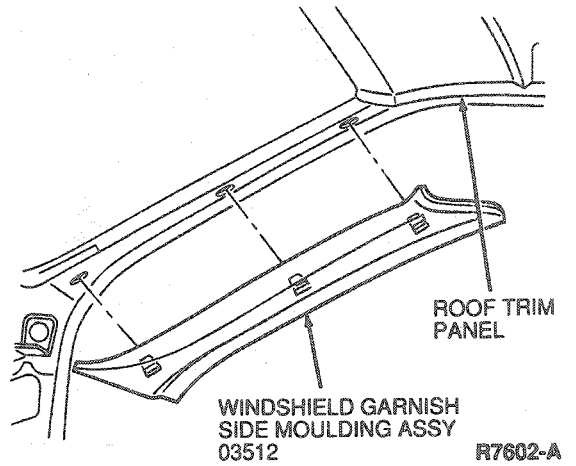


### Moulding, A-Pillar

#### Removal and Installation

1. Remove primary weatherstrip from headlining and A-pillar garnish moulding at front door opening.
2. Pry three retaining clips from inner A-pillar.
3. To install, reverse Removal procedure. Start with bottom retaining clip location.

NOTE: Weatherstrip must overlap the A-pillar garnish moulding and headlining.



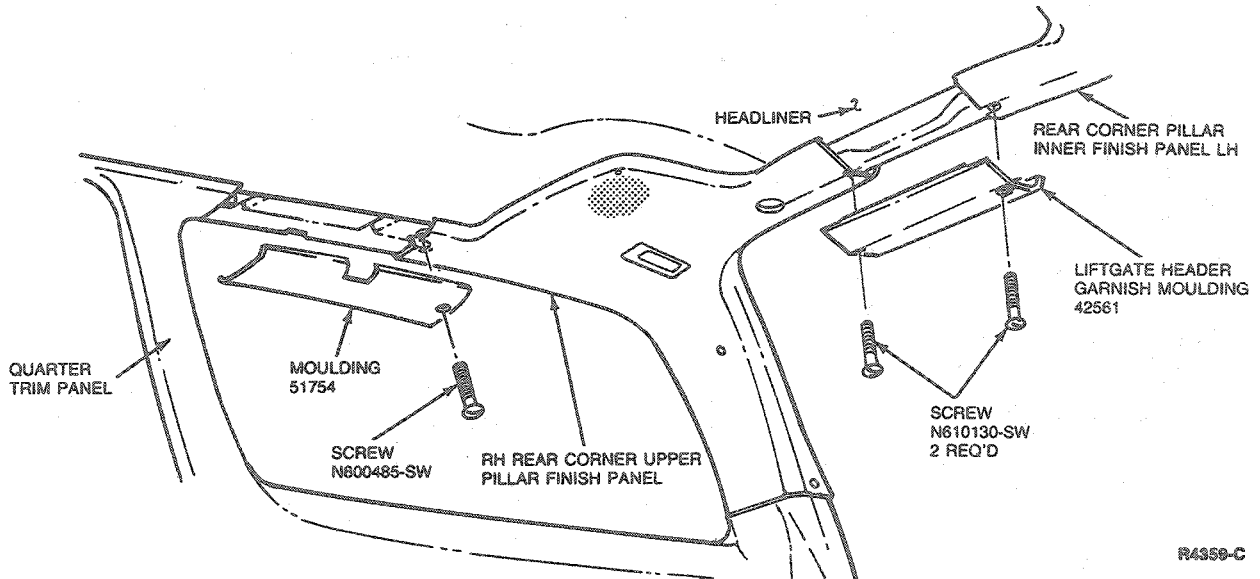
**REMOVAL AND INSTALLATION (Continued)**

**Finish Panel, Upper Rear Corner**

**Wagon**

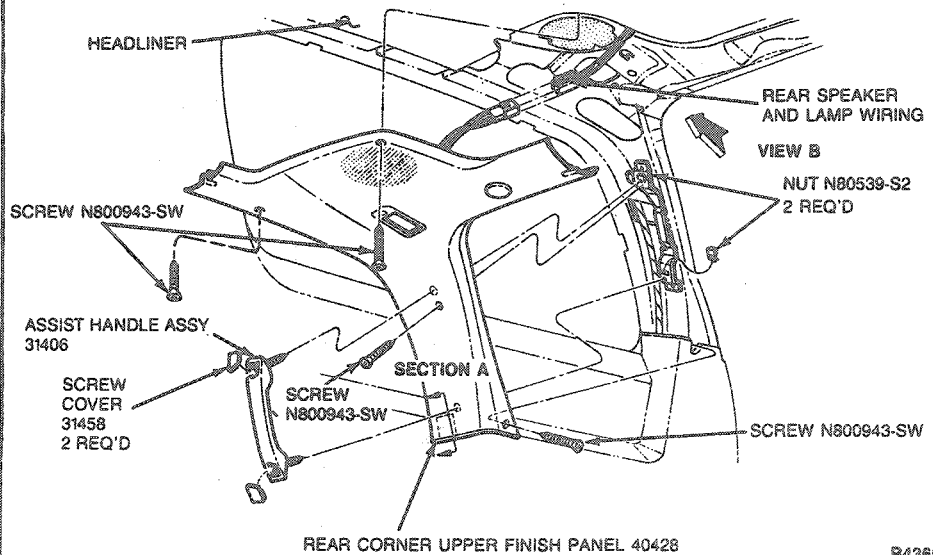
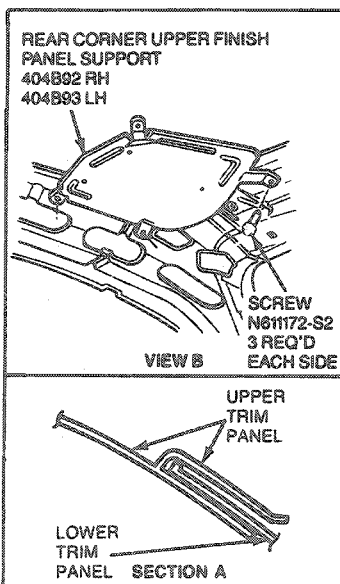
**Removal and Installation**

1. Remove liftgate header rail garnish moulding retaining screws and moulding.



R4359-C

2. Remove assist handle retaining screws and handle.
3. Remove screws retaining corner finish panel and pull panel far enough away to disconnect wiring connectors. Disconnect wiring and remove panel.
4. To install, reverse Removal procedure.



R4360-E



## REMOVAL AND INSTALLATION (Continued)

## Sun Visors

Sun visors are attached to the vehicle on both the RH and LH side over the windshield. Some vehicles have lighted visor vanities on both the driver's and the passenger's side. Both sun visors and center retaining clips must be removed prior to headlining removal.

## Sun Visor—With Lamp

RH

## Removal and Installation

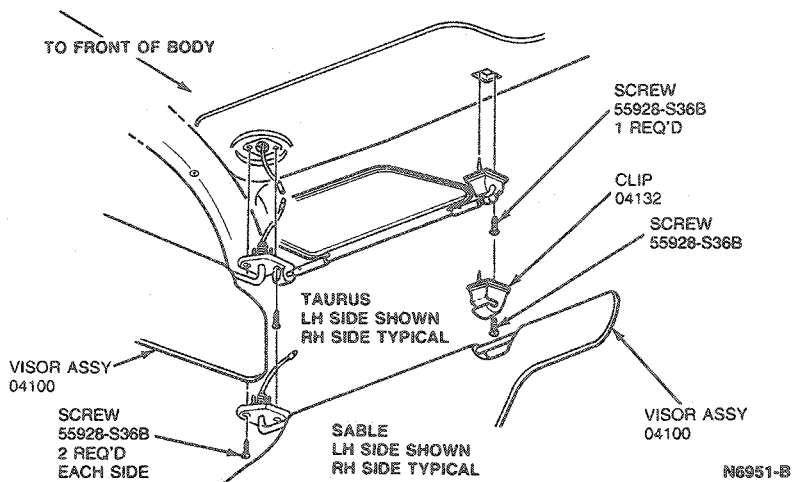
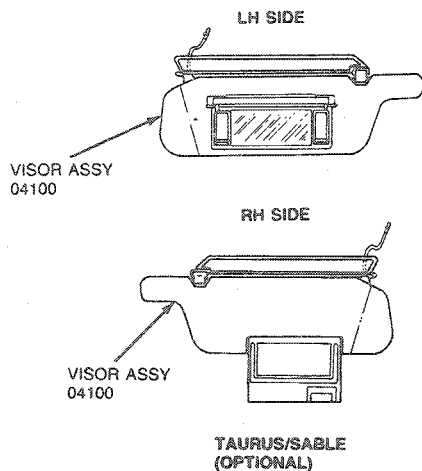
1. Remove visor assembly from vehicle.

2. Remove six screws retaining vanity mirror, lamp and back cover to visor and remove vanity mirror assembly.

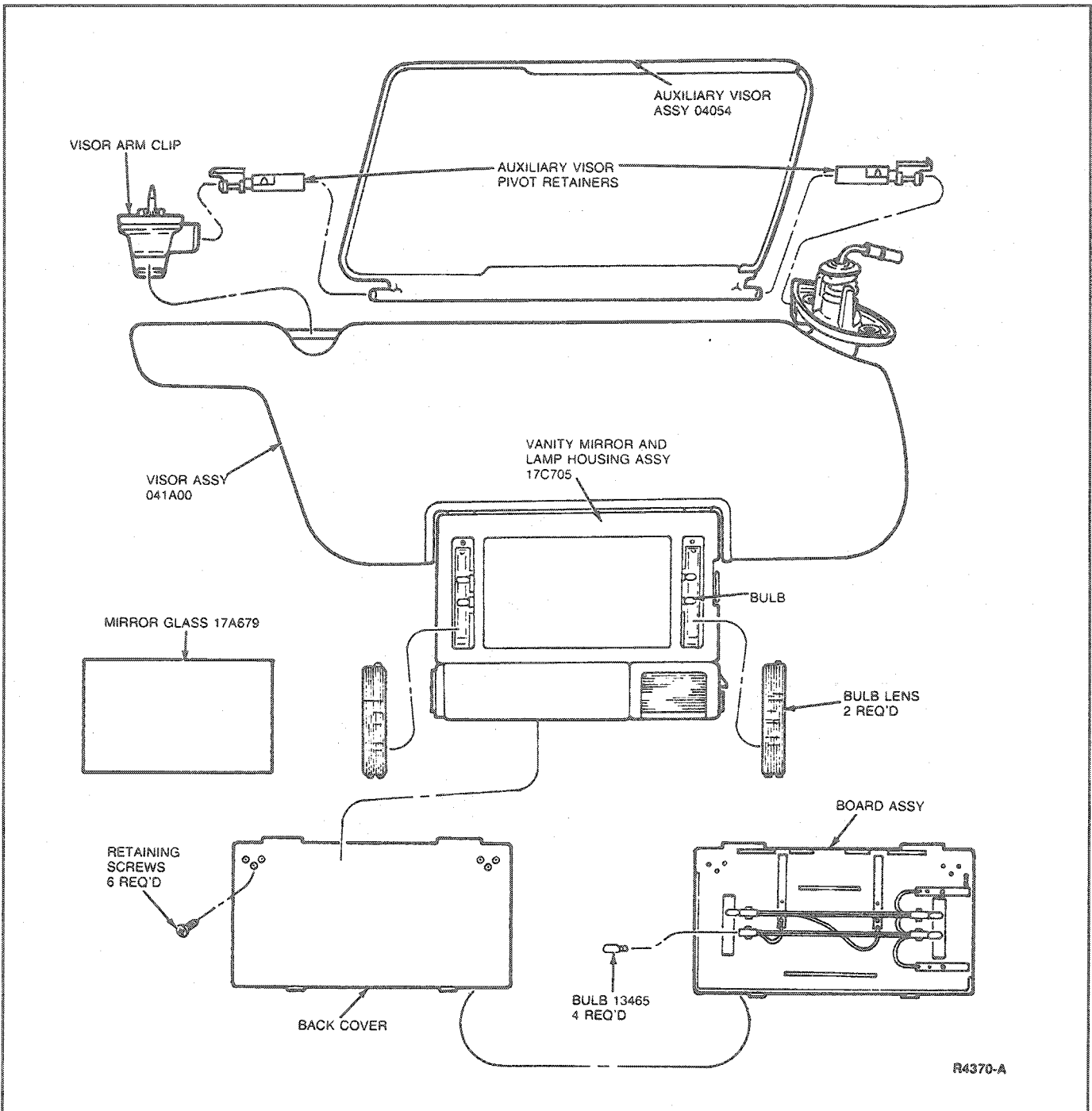
NOTE: To replace one or more of the bulbs, it is only necessary to snap out the bulb cover lenses using a small screwdriver, and pull the bulb from the socket.

3. To install, reverse Removal procedure.

## Sun Visor



## REMOVAL AND INSTALLATION (Continued)

**Auxiliary Visor Assembly**

RH

**Removal and Installation**

1. Swing main visor assembly to side.
2. Remove screw retaining visor arm clip to headlining. Refer to illustration under Sun Visor with Lamp, RH.
3. Pull both visor arm clip and auxiliary visor pivot retainer away from auxiliary visor assembly.

4. Pull the auxiliary visor assembly away from opposite side auxiliary visor pivot retainer.

5. To install, reverse Removal procedure.

LH

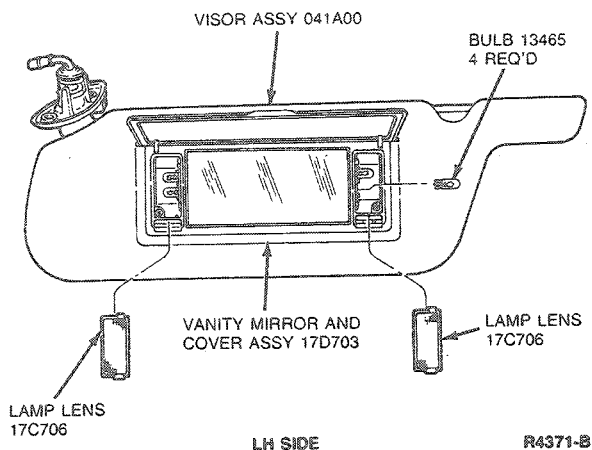
**Removal and Installation**

1. Snap out the bulb cover lenses using a small screwdriver. Pull the bulb from socket.

NOTE: The vanity assembly cannot be replaced.

## REMOVAL AND INSTALLATION (Continued)

2. To install, push bulb into socket and snap in lens cover.



## Headlining

The headlining removal and installation procedures generally apply to all models. If one or more of the Steps do not apply to a particular model, proceed to the next Step.

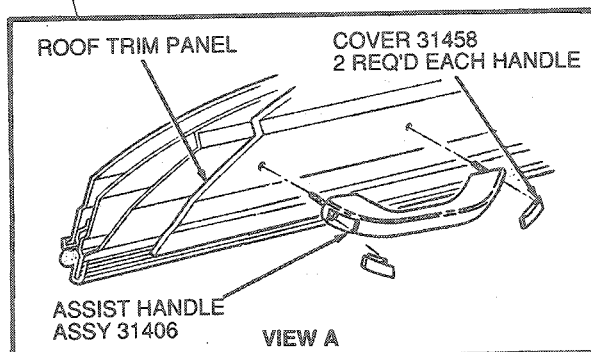
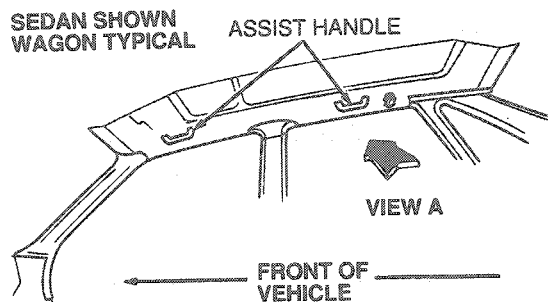
Before removing headlining on wagons, the liftgate weatherstrip and the quarter window glass and weatherstrip assemblies must be removed. When installing the headlining, start at the liftgate and move toward front of vehicle.

NOTE: If the vehicle is equipped with assist handles, they must be removed during the replacement procedure.

## Removal and Installation

1. Remove RH and LH sun visor retaining screws and disconnect electrical leads (if equipped with lighted vanity) and remove visors.
2. Remove visor arm clip retaining screws and remove clips.
3. Remove roof console, if so equipped. Refer to Section 01-12.
4. Remove all dome lamps. Refer to Section 17-02.
5. Snap out assist strap retainer cover and remove roof rail assist handles (two screws each).

## Assist Handles

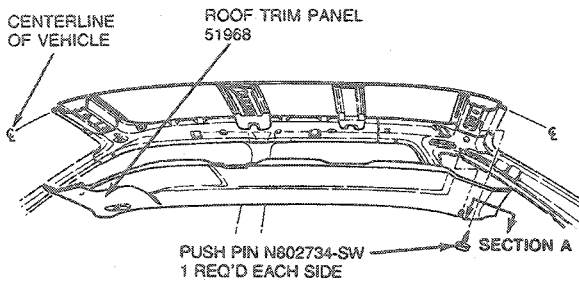
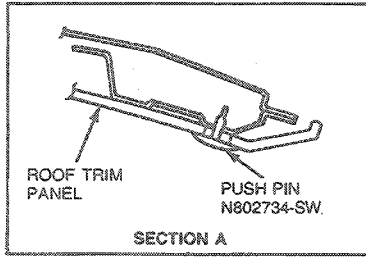


R4341-C

6. Remove weatherstrips at door openings above belt line.
7. Remove A-pillar garnish moulding as outlined.
8. Remove center body pillar inside finish panel as outlined.
9. Remove coat hooks.
10. Remove roof headlining retaining screws (if equipped with moon roof).
11. Remove roof side rear trim panel (sedan) as outlined.
12. Remove roof side inner rear moulding retaining screws and moulding (wagon) as outlined.
13. Remove liftgate header rail garnish moulding retaining screws and moulding (station wagon) as outlined.
14. Remove rear corner upper pillar finish panel (station wagon) as outlined.
15. Remove quarter trim panel (station wagon) as outlined.
16. Remove rear push pins and headlining.  
NOTE: Weatherstrip must overlap at headlining and mouldings above belt line.
17. To install, align headlining at front of vehicle over sun visor mounting holes and loosely secure. Install two rear push pins, then reverse Removal procedure.

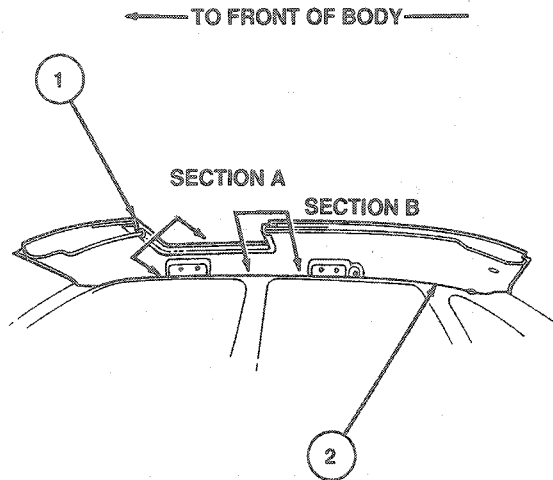
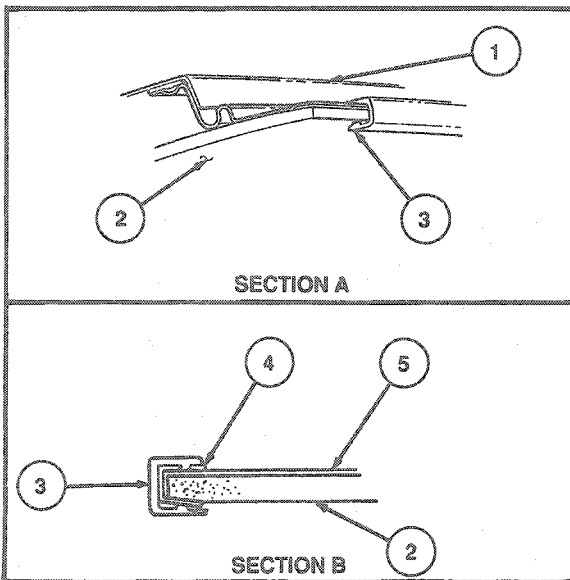
REMOVAL AND INSTALLATION (Continued)

Without Moon Roof  
Sedan



R4342-D

With Moon Roof

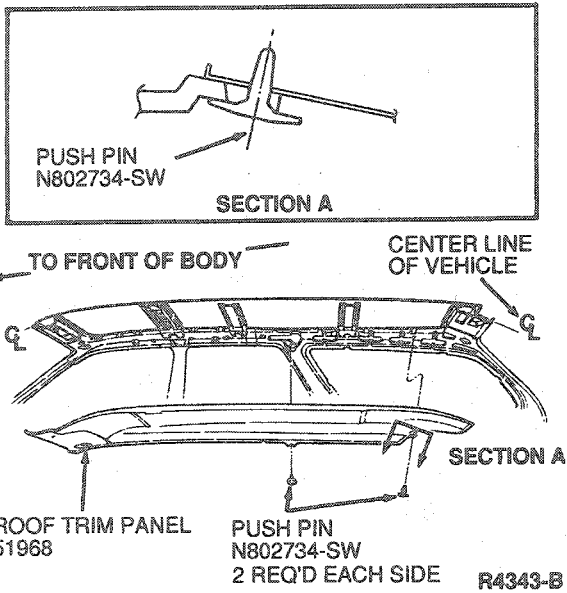


R4344-E

Item	Part Number	Description
1	—	Roof Assy
2	51968	Roof Trim Panel (Headlining Assy)
3	52124	Retainer Assy
4	—	Roof Sliding Panel Housing
5	—	Roof Opening Panel

## REMOVAL AND INSTALLATION (Continued)

## Wagon



## Carpets and Floor Mats

## Front and Rear — One-Piece

## Removal

1. Remove front seats. Refer to Section 01-10A.
2. Remove rear seat. Refer to Section 01-10A.

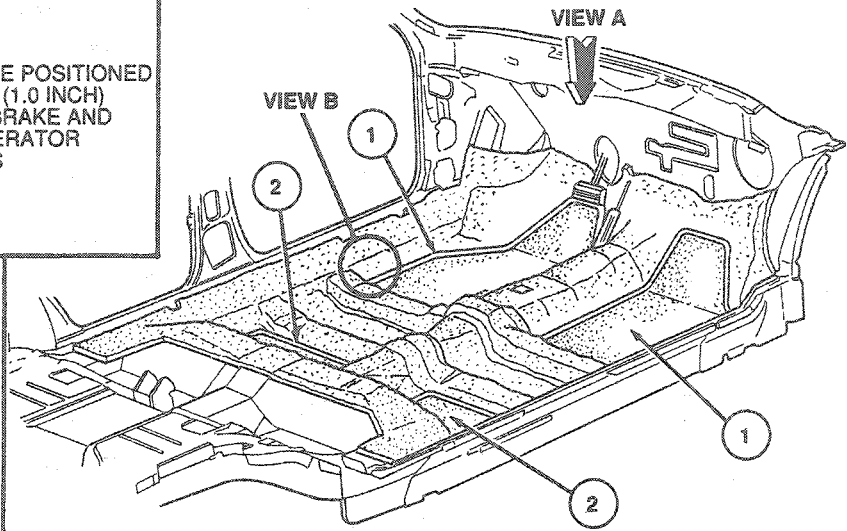
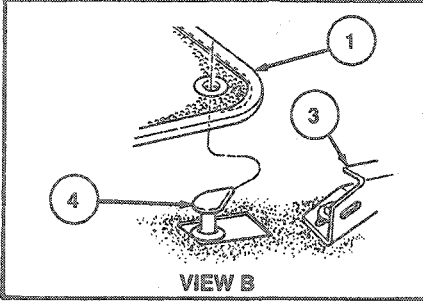
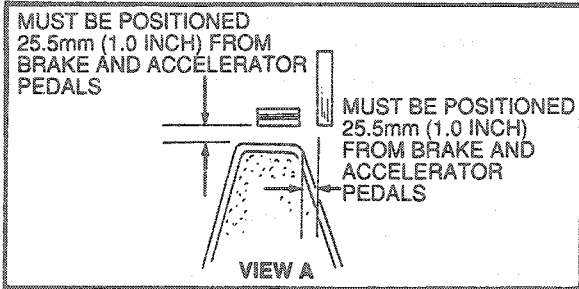
3. Remove console assembly. Refer to Section 01-12.
4. Remove scuff plate / lower body center pillar trim panels as outlined.
5. Remove cowl side trim panels as outlined.
6. Remove quarter trim panels as outlined.
7. Remove safety belts, as required. Refer to Section 01-20A.
8. Remove pushnut from weld stud on dash panel (underneath accelerator pedal).
9. Remove fuel filler remote release cover.
10. Remove floor mats and carpets.

## Installation

1. Position carpet and floor mats in vehicle.
2. Install pushnut on weld stud on dash panel (underneath accelerator pedal).
3. Install safety belts. Refer to Section 01-20A.
4. Install quarter trim panels as outlined.
5. Install cowl side trim panels as outlined.
6. Install scuff plate / lower body center pillar trim panels as outlined.
7. Install fuel filler remote release cover.
8. Install console assembly. Refer to Section 01-12.
9. Install rear seat. Refer to Section 01-10A.
10. Install front seats. Refer to Section 01-10A.

REMOVAL AND INSTALLATION (Continued)

Floor Mats



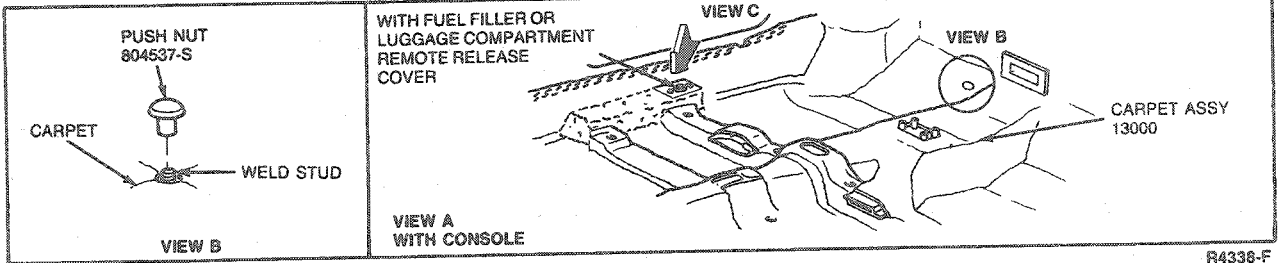
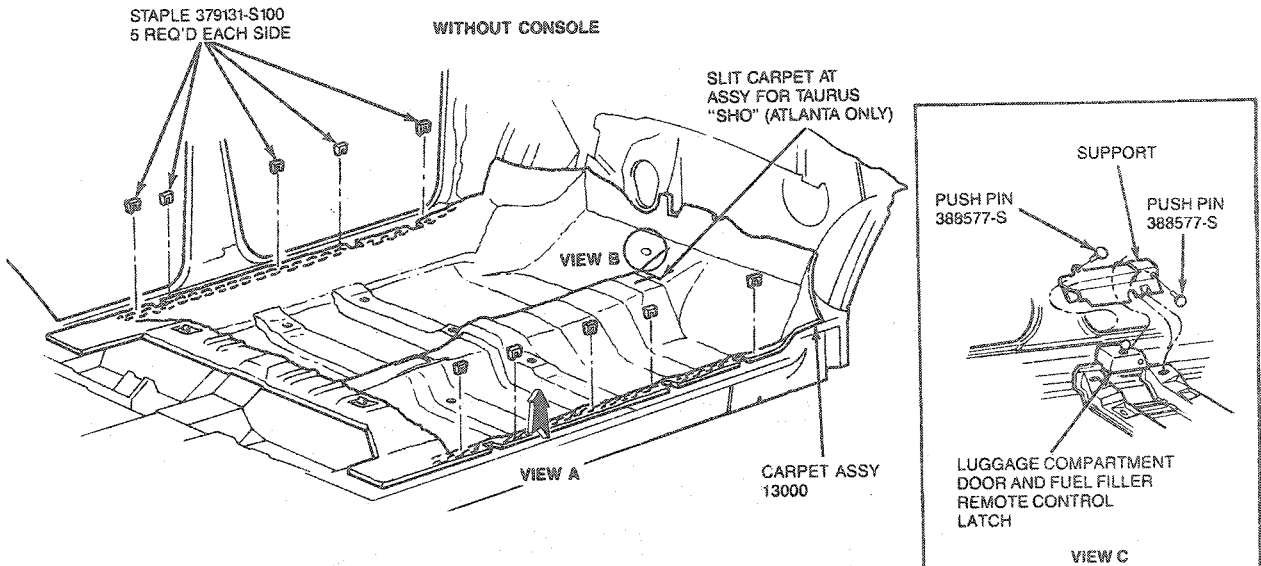
N8228-C

Item	Part Number	Description
1	13005	Front Floor Mat Assy
2	13035	Rear Floor Mat Assy
3	61700	Seat Track Assy
4	—	Floor Mat Retainer, Part of 13000 Carpet Assy

TN8228C

**REMOVAL AND INSTALLATION (Continued)**

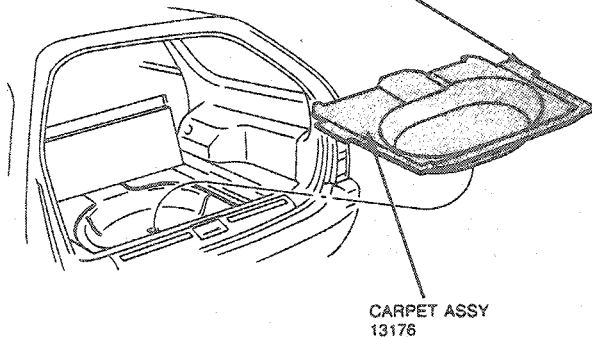
**Carpet, Floor—Front**



R4338-F

**Carpet, Luggage Compartment Station Wagon**

PRESS TAPE-HOOK INTO PLACE AFTER INSTALLATION OF CARPET ASSY



R4339-A

**Trim Panel, Package Tray**

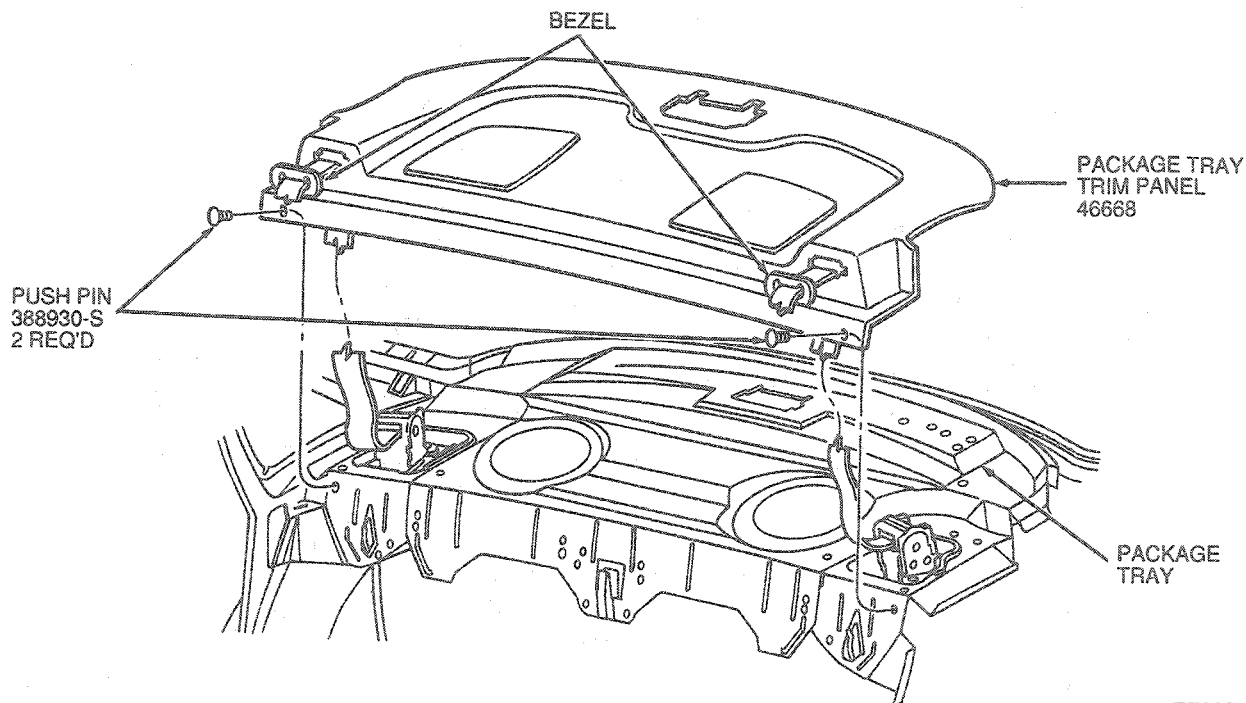
**Sedan**

**Removal and Installation**

1. Remove rear seat back and seat cushion assemblies. Refer to Section 01-10A.
2. Remove roof side rear trim panel.
3. Remove high-mount stoplamp.
4. Remove child restraint tether attachment, if so equipped. Refer to Section 01-20A.
5. Remove safety belt bezels.
6. Remove push pins retaining package tray trim panel.
7. Remove quarter trim panel.
8. Remove rear safety belt retaining bolts at quarter panel. Refer to Section 01-20A.
9. Remove trim panel by pulling panel forward and slightly upward from package tray and pull belts from package tray trim panel.

## REMOVAL AND INSTALLATION (Continued)

10. To install, reverse Removal procedure.



R7603-A

### Luggage Cover

#### Wagon

##### Removal

1. Raise liftgate to full-open position.
2. Grasp shade handle and pull it slightly forward to disengage hooked sides of outstretched cover from its retainers on quarter trim panels. Allow shade to retract on its roller.
3. Disengage cover roller from its side mounting brackets. Remove luggage cover assembly from vehicle.

**NOTE:** The luggage cover on wagon models should be removed from the vehicle when not in use. That is, when the luggage cover is not attached to its side mounting brackets.

4. Close liftgate.

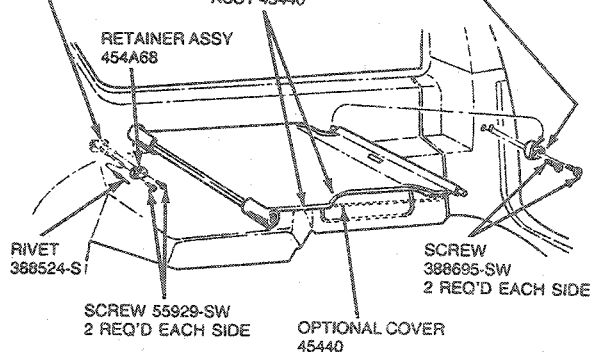
##### Installation

1. Raise liftgate to full-open position.
2. Position luggage cover into its side mounting brackets, located behind rear seat back (when seat back is in UP position). When installed, shade roller should face upward.
3. Grasp shade handle and pull luggage cover. Hook sides of outstretched cover to retainers on quarter trim panels.
4. Close liftgate.

PLATE LUGGAGE COVER  
RETAINER 45798  
2 REQ'D

STANDARD  
LUGGAGE COVER  
ASSY 45440

COVER RETAINER  
RH 454A24  
LH 454A25



R4368-C

### Retractable Spring Rewinding

The retractable luggage cover contains a pre-wound torsion spring which is wound up more as the cover is extended, thus providing the spring return action.

The following procedure should be used to rewind a luggage cover which has lost all spring tension. This procedure is best accomplished with two people.

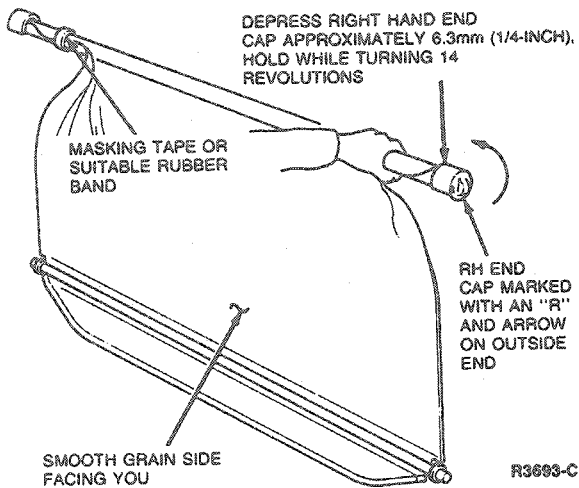
1. Remove cover from luggage cover retainer and remove from vehicle. Start with fully extended cover with smooth grain side up, as it is in vehicle.



## REMOVAL AND INSTALLATION (Continued)

2. Fold edges of the vinyl toward center and hold so that edges clear end cap slots.

NOTE: Masking tape or a rubber band can be used to secure the vinyl to the LH side of the roller tube.

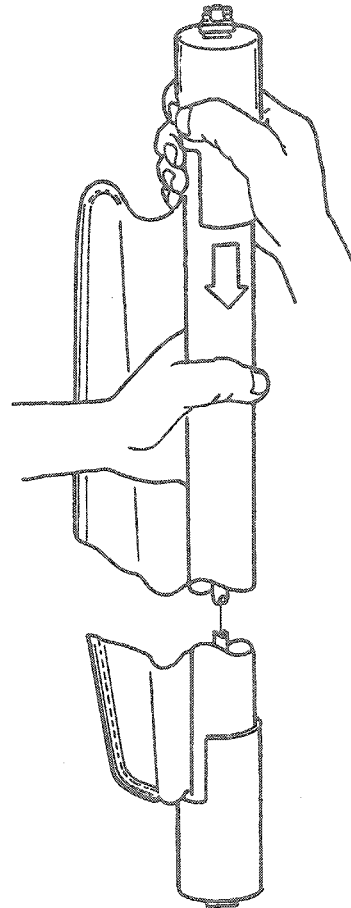


3. While holding vinyl and roller tube, depress RH end cap (marked with an "R" on outside end) approximately 6.35mm (1/4 inch) to disengage clutch. Turn 14 revolutions in direction shown. For reference, wind direction is also marked on the outside end of end cap.
4. Release RH end cap. This should engage clutch and prevent loss of spring tension. Unfold vinyl and replace it in end cap slots.
5. With vinyl fully retracted, insert luggage cover retainer. Note that RH retainer bracket opening is narrower than LH.
6. Check for proper operation of luggage cover.

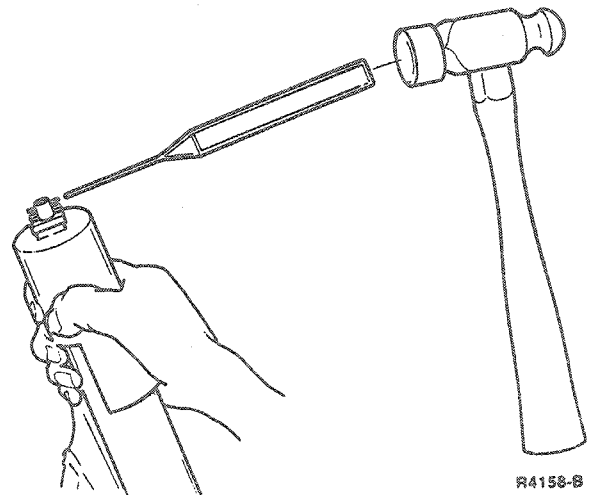
### End Cap Replacement, Roll-Up Type

NOTE: Prior to replacing the end cap on a roll-up type luggage cover assembly, the cover fabric must be fully retracted. This may require an assistant.

1. Position cover assembly on end.



2. Depress end cap until roll pin, used to retain end cap to center (metal tube), is exposed. (Maintain pressure through Step 3.)
3. Using a 3/32-inch punch, drive out roll pin and remove end cap.



NOTE: Prior to installing replacement cap, make sure there are no burrs on center (metal) tube.

# SECTION 01-08 Trim, Exterior

SUBJECT	PAGE	SUBJECT	PAGE
<b>REMOVAL AND INSTALLATION</b>		<b>REMOVAL AND INSTALLATION (Cont'd.)</b>	
Body Side Protection and Bumper Rubstrip		Roof Luggage Carrier.....	01-08-2
Mouldings .....	01-08-1	SPECIFICATIONS .....	01-08-6
Mouldings, Exterior .....	01-08-2	VEHICLE APPLICATION .....	01-08-1

## VEHICLE APPLICATION

Taurus / Sable.

## REMOVAL AND INSTALLATION

### Body Side Protection and Bumper Rubstrip Mouldings

#### Tape, Pressure-Sensitive

To install or repair the optional body side moulding (moulded PVC, or TPU with two-way tape), perform the following:

1. Completely clean (isopropyl alcohol and clean soft cloth) sheet metal surface area around moulding.
2. Before removing moulding, mark moulding location on top and at each end of moulding with masking tape. Do not heat moulding or sheet metal surface, this only increases the adhesion. Cold temperatures, 0°C (32°F) and below allows for easier removal of moulding.



3. Using a nylon wedge, start at rear of door, wedging nylon tool between moulding and door. At the same time, pull moulding away with steady tension. Remove and replace one moulding at a time.
4. Once a few inches of moulding are free, grip moulding with both hands and pull the moulding slowly toward the front of vehicle, being careful not to damage paint or sheet metal surface.
5. Not all of the tape will come off with moulding, white or gray acrylic tape is most easily removed by gently stretching. Grip tape at one end lift and pull away slowly about 12.7mm (1/2 inch) at a time, then grip and pull again. Small pieces can be removed by rolling thumb across sheet metal surface.
6. When all tape is removed, wipe area with isopropyl alcohol and clean soft cloth, ensuring that all tape residue and road dirt is removed. A clean surface is required for application of new moulding. Should paint surface be damaged during moulding removal, surface should be repaired using paint repair procedure. Refer to Section 01-00.
7. New moulding is now ready to be applied. Start at front of door moulding and proceed back, pull back tape protective liner approximately 75-100mm (3-4 inches) (do not touch or contaminate tape surface). Line up moulding with marks on masking tape at rear of door and press gently rearward on door removing protective liner as you proceed rearward. Be sure part is lined up correctly; once tape sticks, part cannot be removed. Mouldings should not be installed on vehicle unless sheet metal surface temperature exceeds 27°C (80°F) and moulding is at 22°C (70°F) minimum.
8. Remove masking tape and wipe area under masking tape with isopropyl alcohol to remove residue.
9. Press moulding on with hand roller applying a minimum of 140 kPa (20 psi) pressure to ensure positive tape adhesion.

## REMOVAL AND INSTALLATION (Continued)

### Roof Luggage Carrier

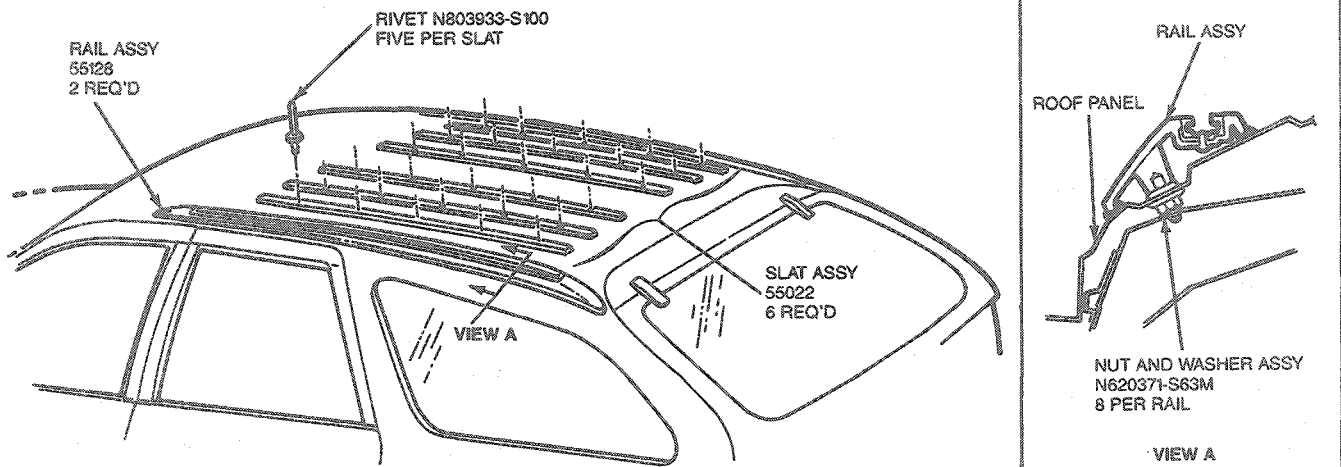
#### Rails and Slats

##### Removal

1. Lower vehicle headliner. Refer to Section 01-05.
2. For rails, remove eight retaining nuts per side.
3. For slats, drill out five rivets at each slat.

##### Installation

1. For slats, position on vehicle roof after applying sealer around rivet holes. Rivet into place.
2. For rails, position on vehicle roof after applying sealer around holes. Install eight nut and washer assemblies. Tighten to 1.4-2.3 N·m (13-20 lb-in).
3. Install headliner. Refer to Section 01-05.

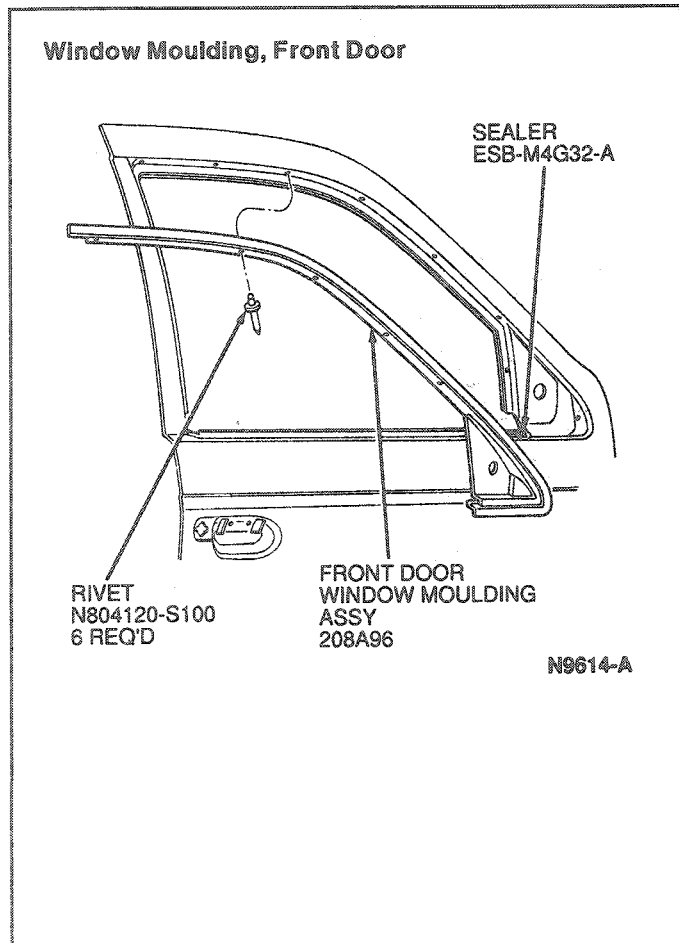
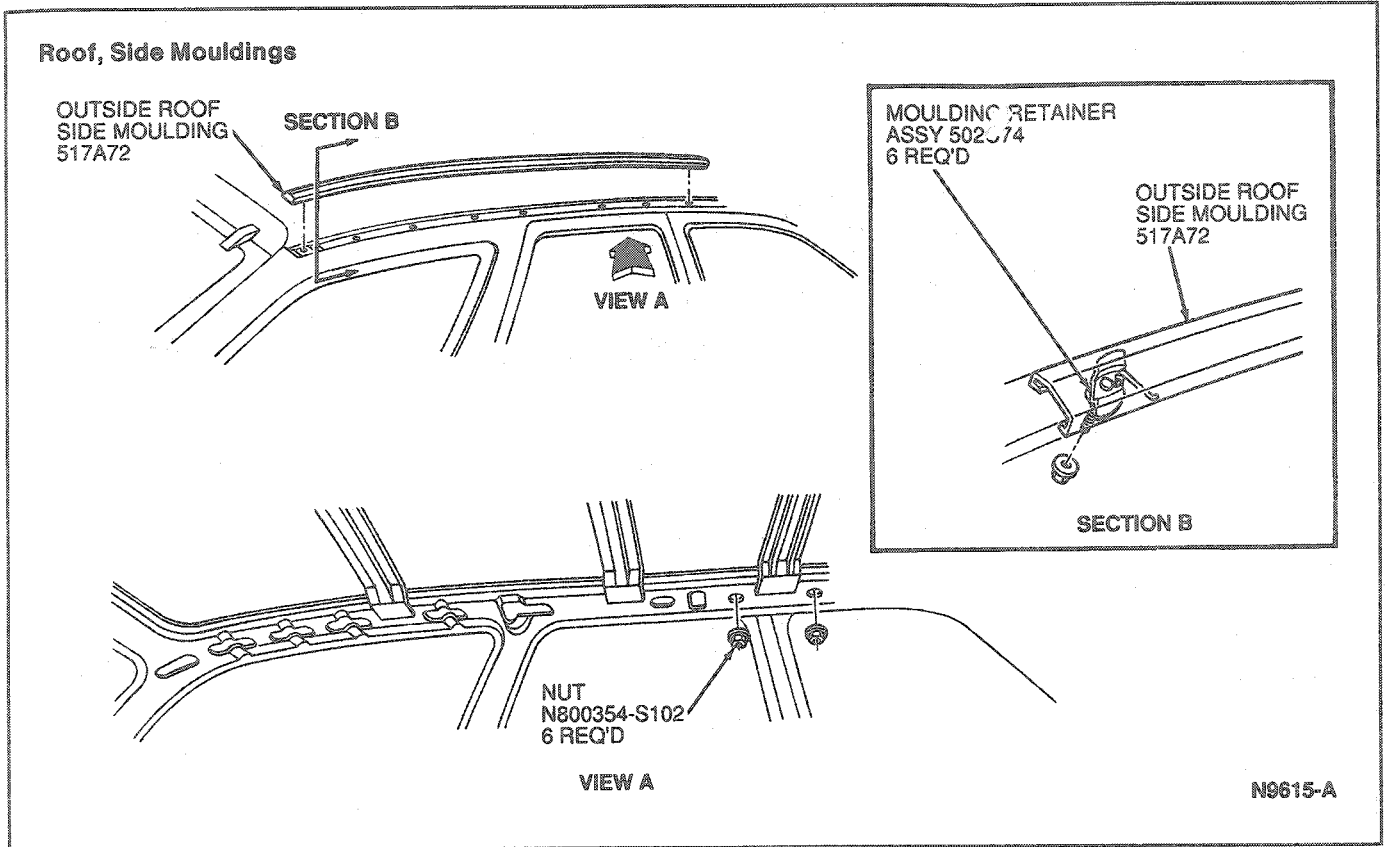


N8199-A

### Mouldings, Exterior

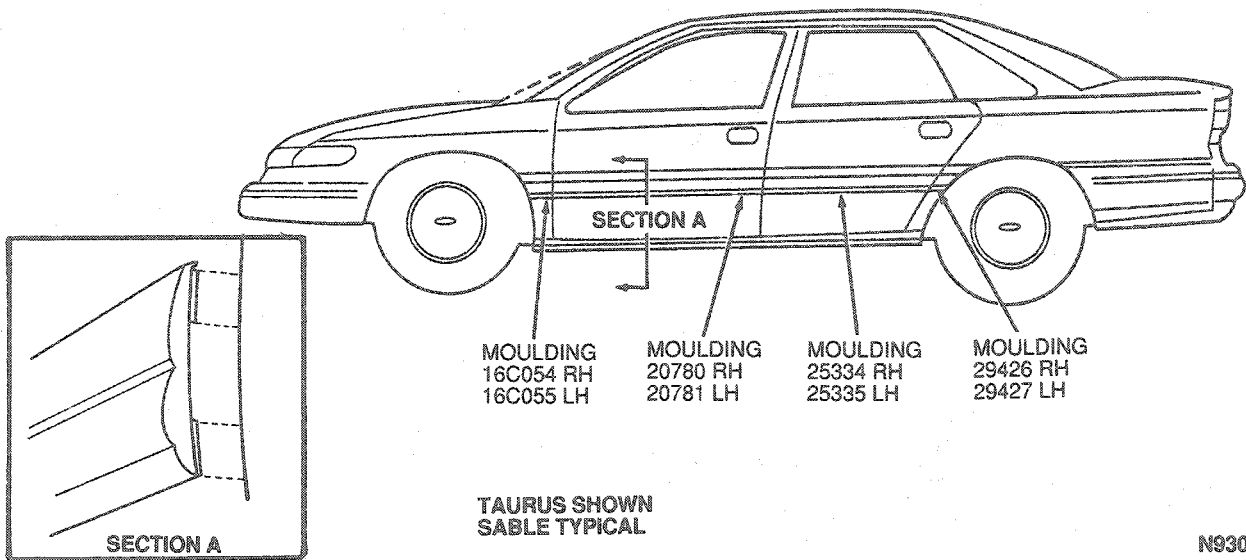
Before removing the exterior mouldings, it should be determined by the type of retainer used, whether a respective door, quarter or luggage compartment trim panel must first be removed to provide access. If a weld stud is distorted or broken off, it should be replaced with an oval head blind rivet (Part No. 383229-S). Refer to the following illustrations to remove and install exterior mouldings.

REMOVAL AND INSTALLATION (Continued)



REMOVAL AND INSTALLATION (Continued)

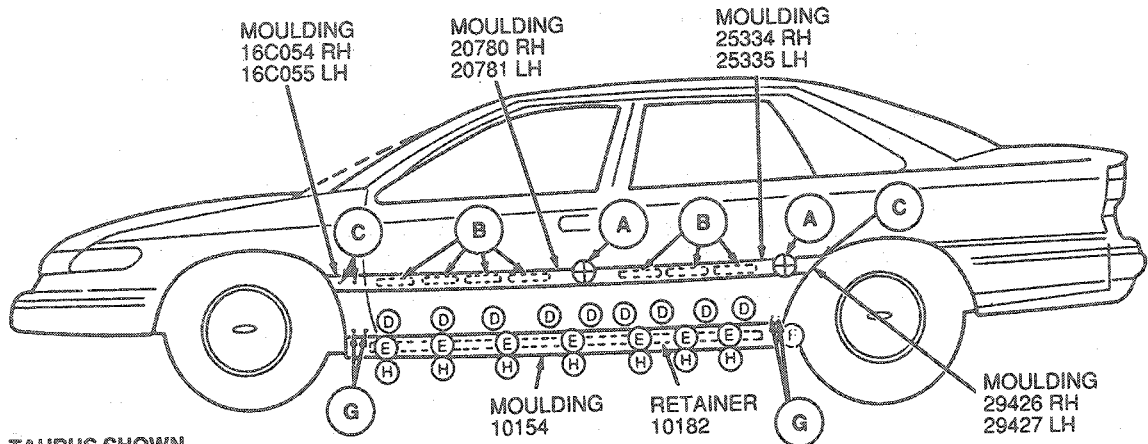
Body, Side—Upper



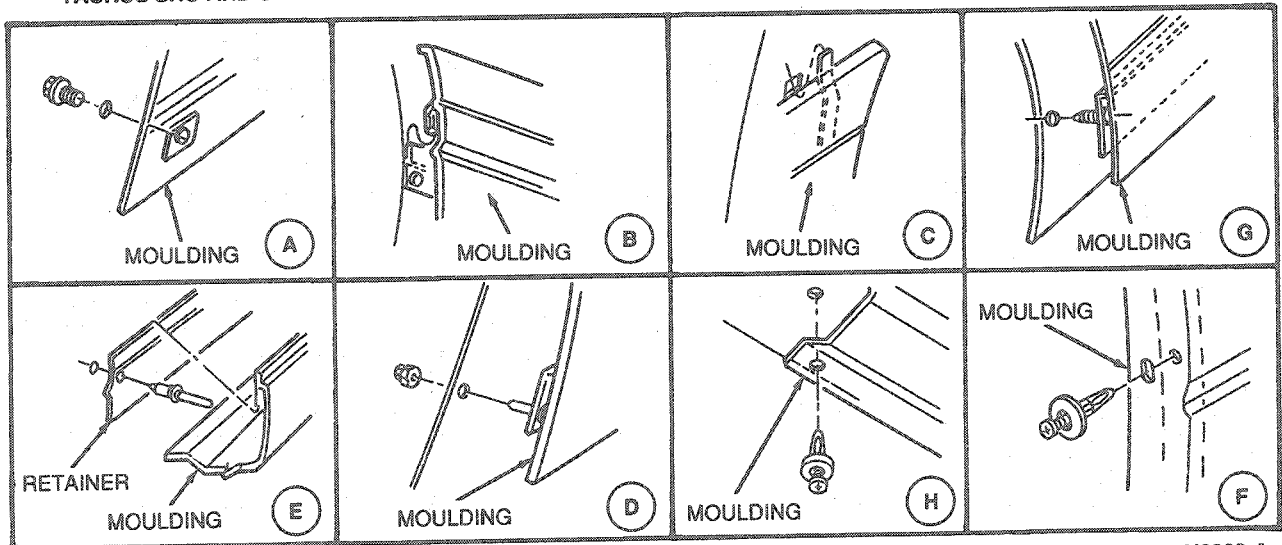
N9308-A

## REMOVAL AND INSTALLATION (Continued)

## Body, Side—Lower



TAURUS SHOWN  
TAURUS SHO AND SABLE TYPICAL



N9309-A

## Exterior Ornamentation, Rear

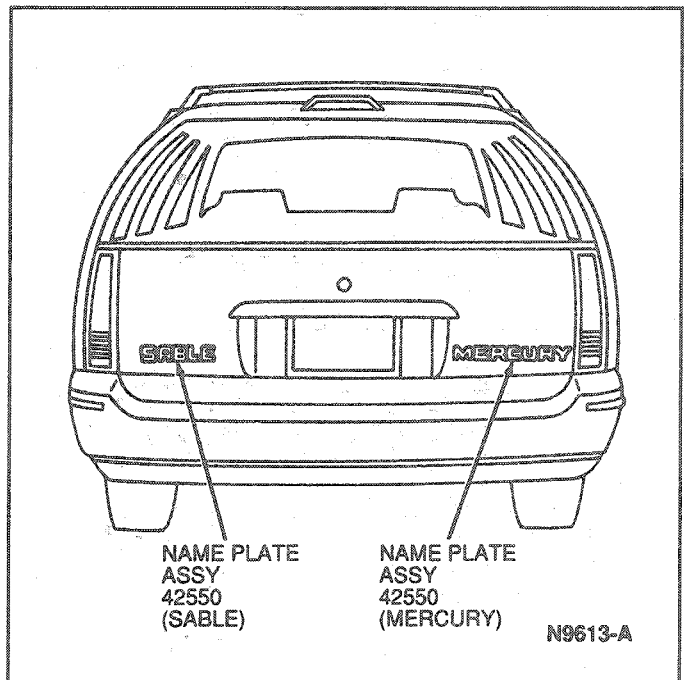
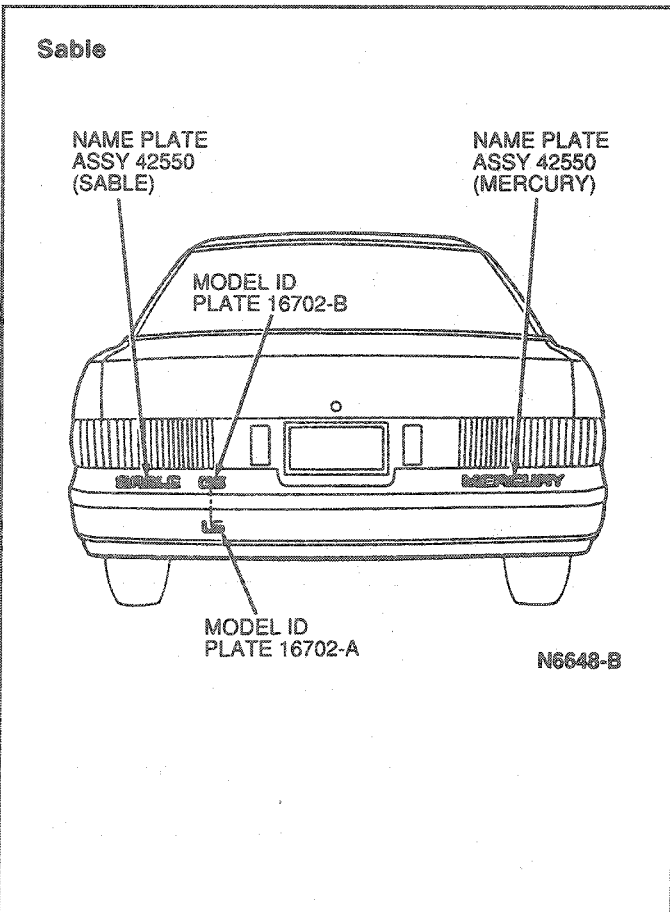
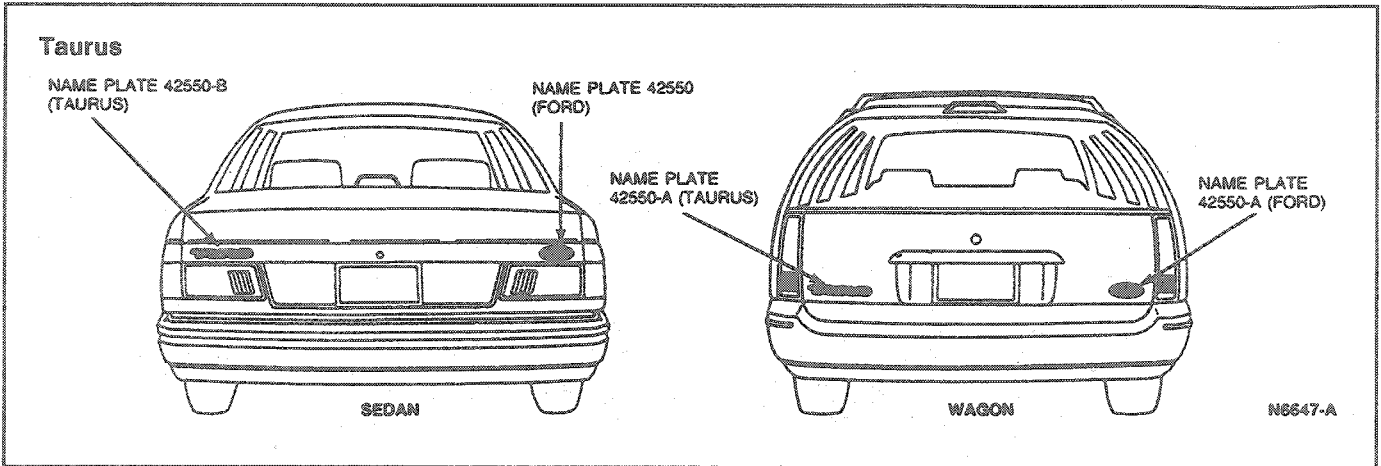
## Adhesive Name Plate / Ornament Installation

NOTE: The installation area for any adhesive name plate / ornament system should be clean and dry.

1. Heat name plate / ornament evenly to 85-95°F.

2. Remove plastic tape liner.
3. Install name plate / ornament to proper location on vehicle.
4. Use roller to press name plate / ornament into final position.

**REMOVAL AND INSTALLATION (Continued)**



**SPECIFICATIONS**

TORQUE SPECIFICATIONS		
Description	N-m	Lb-in
Rail Assembly	1.4-2.3	13-20

# SECTION 01-09 Mirrors, Rear View

SUBJECT	PAGE	SUBJECT	PAGE
<b>CLEANING</b>		<b>REMOVAL AND INSTALLATION (Cont'd.)</b>	
Frozen Mirrors .....	01-09-5	Mirror Glass, Power — Replacement .....	01-09-4
Mirror, Outside Rear View .....	01-09-5	Mirror Switch, Power .....	01-09-4
<b>DESCRIPTION</b>		Mirror, Inside Rear View .....	01-09-4
Mirror, Power .....	01-09-1	Mirror, Mounting Bracket .....	01-09-5
<b>DIAGNOSIS</b>		<b>SPECIAL SERVICE TOOLS</b> .....	01-09-5
Mirrors, Power .....	01-09-1	<b>SPECIFICATIONS</b> .....	01-09-5
<b>REMOVAL AND INSTALLATION</b>		<b>VEHICLE APPLICATION</b> .....	01-09-1
Mirror Assembly, Outside Rear View .....	01-09-3		

## VEHICLE APPLICATION

Taurus/Sable.

## DESCRIPTION

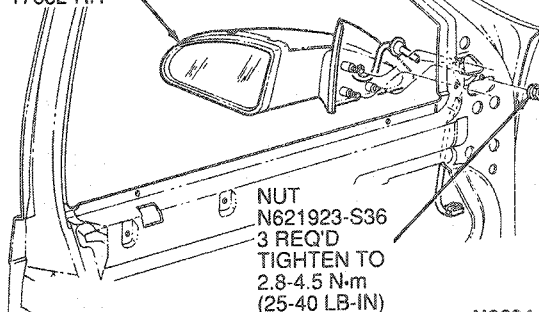
### Mirror, Power

A RH and LH electrically powered outside rear view mirror is available. The servo motor jackscrews and glass can be serviced separately.

The switch for controlling adjustments is located in the driver's door trim panel. One control switch operates both RH and LH mirrors. Selection can be made by moving the selector switch to the LH or RH position to control the appropriate mirror requiring adjustment. When not being used, the switch selector should be in the middle (DOT) NEUTRAL position. The switch is designed to tilt the mirror up, down, left and right by moving the toggle-type knob in the direction of the arrow indicating the desired operation.

### Mirror, Sail Mounted

REAR VIEW OUTSIDE  
POWER MIRROR  
ASSY  
17683 LH  
17682 RH



N6604-E

## DIAGNOSIS

### Mirrors, Power

#### Tools Required:

- Rotunda Digital Volt Ohmmeter 007-00001

Use the connector illustration, Switch Logic Table and the following procedures to diagnose concerns with the power mirror.

#### Both RH and LH Mirrors Do Not Operate

1. Check the 15 amp courtesy lamp fuse in the panel and replace if blown or damaged.
2. If fuse is OK, remove and check if power is available at harness connector to switch using an ohmmeter, such as Rotunda Digital Volt Ohmmeter 007-00001 or equivalent, across Circuits 54 (LG/Y) and 57 (BK).

3. If no power, check across Circuit 54 (LG/Y) to a known good ground.
4. Trace back through Circuit 54 (LG/Y) and correct the concern.
5. If power is OK across Circuits 54 (LG/Y) and 57 (BK) check if switch is damaged by jumping across appropriate circuits shown in Switch Logic Table.
6. If mirrors can be operated by bypassing switch as described in Step 5, replace damaged switch and install switch housing assembly.

#### Either RH or LH Mirror Does Not Operate

1. Remove door trim panel and verify that harness is connected to mirror.



**DIAGNOSIS (Continued)**

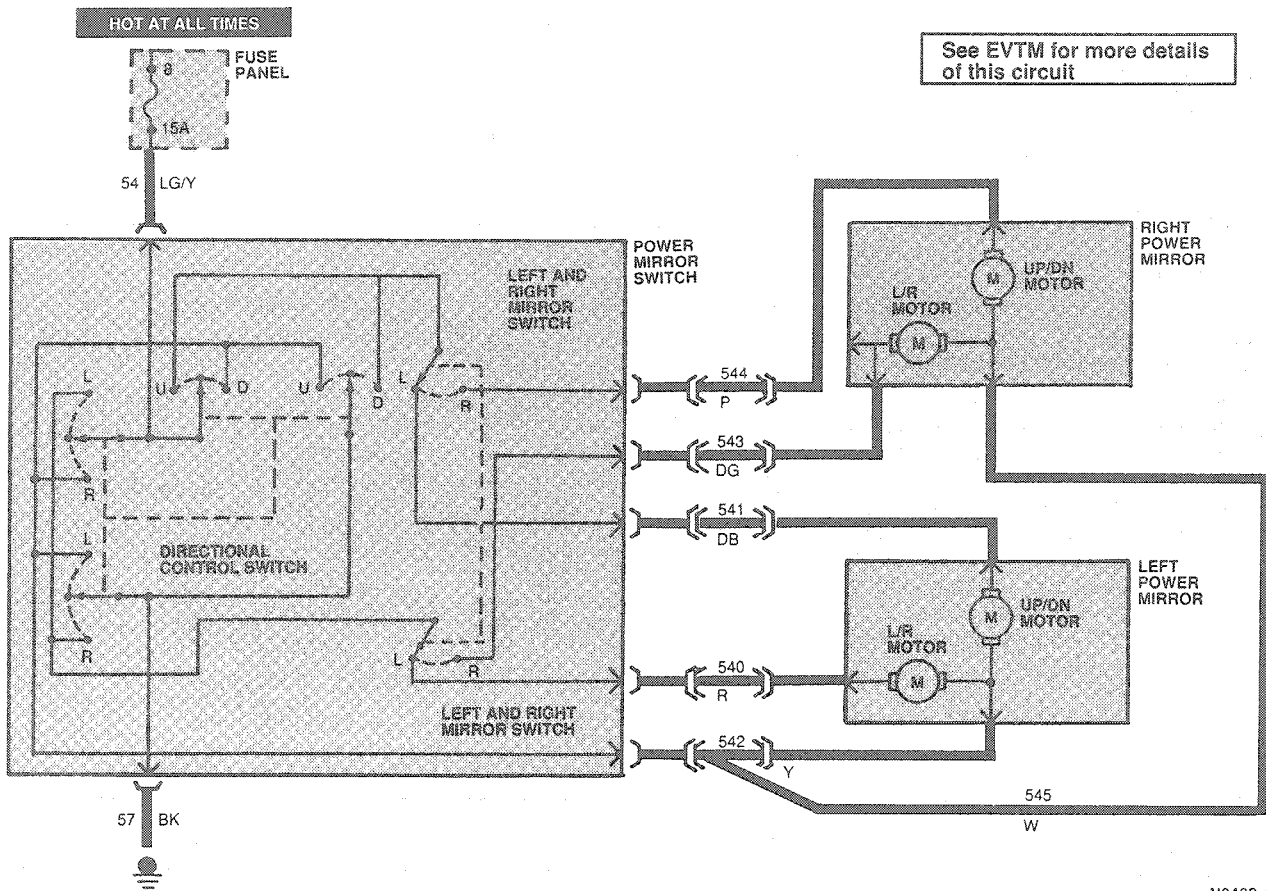
2. Using a test lamp, check continuity of circuits in harness connector-to-mirror by operating switch.
3. If circuit check does not show continuity, trace circuit to connector in the seat console.
4. If circuit continuity and logic are correct, replace mirror assembly.

2. Using an ohmmeter, verify circuit logic at harness connector to mirror with switch operation.
3. If OK, replace mirror motor only.
4. If not OK, check if OK at switch connector.
5. If OK at switch connector, trace along harness to determine where cross circuitry took place and correct.

**Either RH or LH Mirror Does Not Function or Functions at Variance With System Logic**

1. Remove front door trim panel on vehicle side experiencing malfunction.

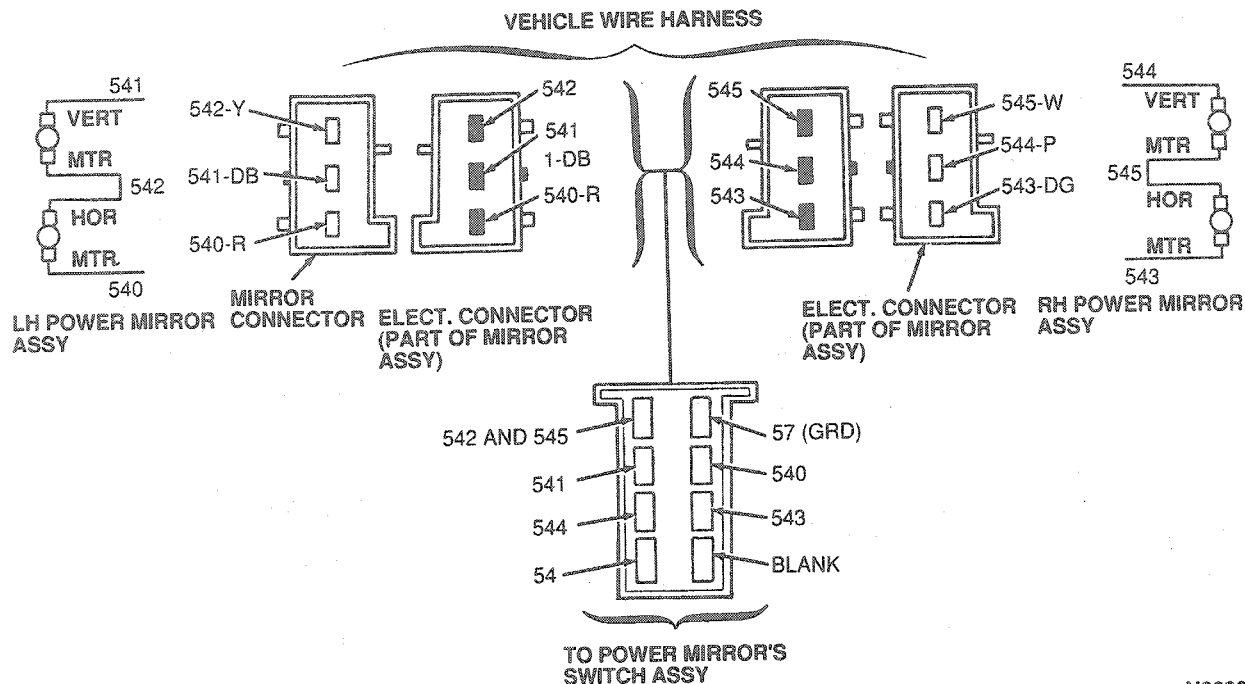
**Power Mirror Schematic**



N9488-A

DIAGNOSIS (Continued)

Switch Logic Table



N6606-E

MIRROR OPERATIONAL MODE	DIRECTIONAL MOVEMENT	LH MIRROR		RH MIRROR	
		POS. VOLTAGE (+)	GRD. (-)	POS. VOLTAGE (+)	GRD. (-)
VERTICAL	UP	541	542	544	545
VERTICAL	DOWN	545, 540	541	542, 543	544
HORIZONTAL	LEFT	540	542	543	545
HORIZONTAL	RIGHT	545, 541	540	542, 544	543

REMOVAL AND INSTALLATION

Mirror Assembly, Outside Rear View

Power

RH and LH Door

Removal

Refer to illustration under Description.

1. Disconnect battery ground cable.
2. Remove one screw retaining mirror mounting hole cover and remove cover.
3. Remove door trim panel. Refer to Section 01-05.
4. Disconnect mirror assembly wiring connector. Remove necessary wiring guides.
5. Remove three mirror retaining nuts. Remove mirror while guiding wiring and connector through hole in door.

Installation

1. Install mirror assembly by routing connector and wiring through hole in door. Attach with three retaining nuts. Tighten retaining nuts to 2.8-4.5 N·m (25-40 lb-in).
2. Connect mirror wiring connector and install wiring guides.
3. Replace mirror mounting hole cover and install one screw.
4. Replace door trim panel. Refer to Section 01-05.
5. Connect battery ground cable.
6. Snap on new trim (Part No. 17D742-3—Top Finish Panel) if new mirror assembly has been installed.

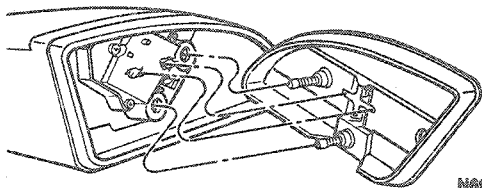
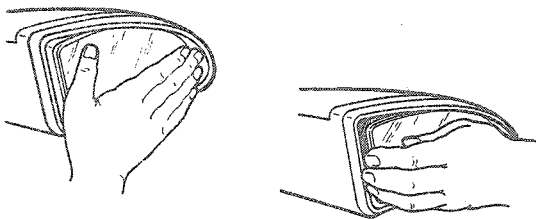
### REMOVAL AND INSTALLATION (Continued)

#### Mirror Glass, Power—Replacement

1. Push outer edge of mirror glass into housing, as shown.
2. Grip inner edge of mirror glass and pull out until mirror glass snaps out of motor assembly.

NOTE: On some vehicles, the cross-tee pivot or drive screw(s) may remain attached to the motor assembly. In this case, carefully pry the pivot out of the motor and turn the drive screw(s) (counterclockwise) out of the motor assembly. The pivot and drive screw(s) may be discarded, as they are contained in the new glass assembly.

3. Position the mirror glass as shown. Firmly push the glass into place with the palm of the hand, until it locks.

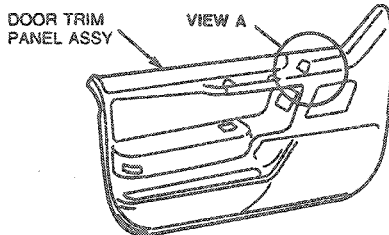
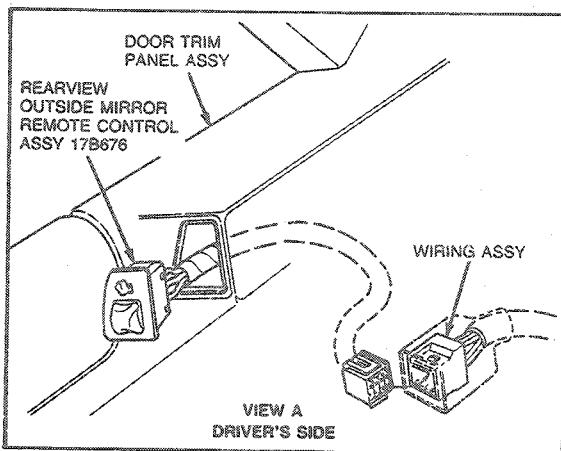


N8852-B

#### Mirror Switch, Power

##### Removal and Installation

1. Remove driver's door trim panel.
2. Depress the retaining clips on switch housing and push base of switch out of trim panel.
3. Disconnect wiring connector and remove switch.
4. To install new switch, reverse Removal procedure.



N8149-A

#### Mirror, Inside Rear View

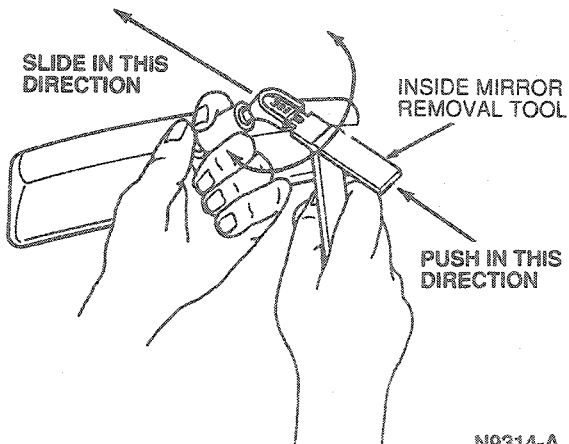
##### Mirror Mount, Screwless

##### Tools Required:

- Inside Mirror Removal Tool T91T-17700-A

##### Removal

1. Grasp mirror firmly.
2. Insert a screwdriver into slot until spring is contacted.
3. Using Inside Mirror Removal Tool T91T-17700-A, remove mirror assembly by sliding upward and away from mounting bracket.



N9314-A

**REMOVAL AND INSTALLATION (Continued)****Installation**

Slide mirror on bracket until mirror locks into place.

**Mirror, Mounting Bracket****Tools Required:**

- Rotunda Heat Gun 107-00301

**Removal**

If bracket vinyl pad remains on windshield, apply low heat from Rotunda Heat Gun 107-00301 or equivalent, until the vinyl softens. Peel vinyl off the windshield and discard.

**Installation**

1. Make sure glass, bracket and adhesive kit, (Rear View Mirror Adhesive D9AZ-19554-CA (ESB-M2G176-A) or equivalent) are at least at room temperature: 18.3-23.9°C (65-75°F).
2. Locate and mark mirror mounting bracket location on the outside surface of windshield.
3. Thoroughly clean bonding surfaces of glass and bracket to remove old adhesive. Use mild abrasive cleaner on glass and fine sandpaper on bracket to lightly roughen surface. Wipe clean with alcohol moistened cloth.
4. Crush accelerator vial (part of Rear View Mirror Adhesive D9AZ-19554-CA (ESB-M2G176-A) or equivalent), and apply accelerator to bonding surface of bracket and windshield. Let dry for three minutes.
5. Apply two drops of Rear View Mirror Adhesive D9AZ-19554-CA (ESB-M2G176-A) or equivalent to the mounting surface of the bracket. Using a clean toothpick or wooden match, quickly spread the adhesive evenly over the mounting surface of the bracket.
6. Quickly position the mounting bracket on the windshield. The 9.5mm (3/8 inch) circular depression in the bracket must be toward the inside of the passenger compartment. Press the bracket firmly against the windshield for one minute.
7. Allow bond to set for five minutes. Remove any excess bonding material from the windshield with an alcohol dampened cloth.

**CLEANING****Mirror, Outside Rear View**

**CAUTION:** Outside rear view mirrors should not be cleaned with a dry cloth or abrasive cleaning powders. Do not remove ice with a scraper. The mirror should only be cleaned with a soft, clean cloth and mild detergent and water or Ultra Clear Spray Glass Cleaner E4AZ-19C507-AA (ESR-M17P5-A) or equivalent, otherwise damage to the reflective surface may result.

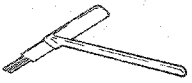
**Frozen Mirrors**

**CAUTION:** To prevent damaging the internal mechanism or glass, outside manual remote mirrors which are frozen must be thawed prior to functioning. **DO NOT** attempt to free-up the mirror by pressing against the glass assembly.

**SPECIFICATIONS****TORQUE SPECIFICATIONS**

Description	N-m	Lb-In
Outside Mirror Assy Nuts	2.8-4.5	25-40

**SPECIAL SERVICE TOOLS**

Tool Number/ Description	Illustration
T91T-17700-A Inside Mirror Removal Tool	 T91T-17700-A

**ROTUNDA EQUIPMENT**

Model	Description
007-00001	Digital Volt Ohmmeter
107-00301	Heat Gun