

### NVH DIAGNOSIS

HOW TO USE THIS DIAGNOSTIC PROCEDURE SECTION (Continued)

NVH diagnosis should always start with the road test. Noise, vibration and harshness (NVH) usually occur in four areas: tires, engine accessories, suspension and drivetrain. It is important therefore, that an NVH concern is isolated into its specific area as soon as possible. The easiest and quickest way to do this is to perform a road test as outlined.

#### NVH Locator Index

ENGINE, MOUNTS, ACCESSORIES, AIR CLEANER, TRANSAXLE, BELTS, BINDING, LOOSENESS, MISALIGNMENT, WEAR OR DAMAGE, VIBRATION, NOISE. REFER TO ENGINE ACCESSORY VIBRATION DIAGNOSIS

REAR SUSPENSION MISALIGNMENT, WEAR, BINDING. NOISE, HARSHNESS. REFER TO SECTION 04-00

WHEEL AND TIRE RUNOUT IMBALANCE, NON-UNIFORMITY, INFLATION, DIAGONAL TIRE WEAR.

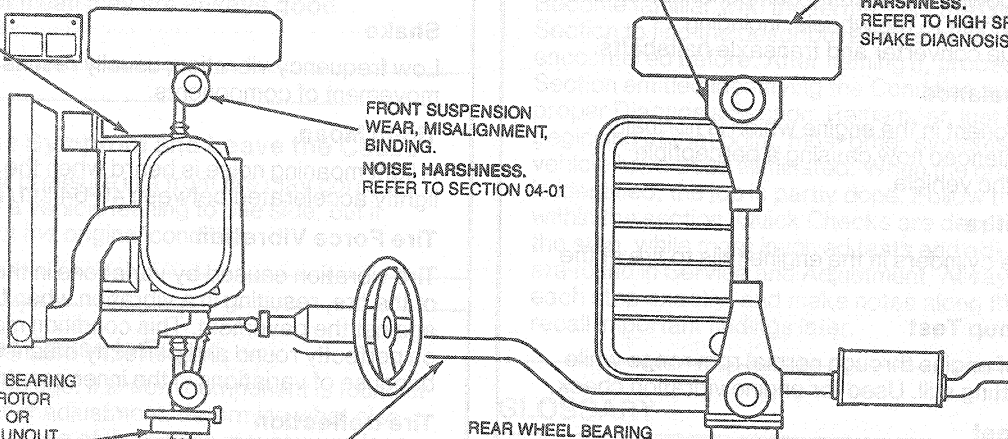
HIGH SPEED SHAKE, HARSHNESS. REFER TO HIGH SPEED SHAKE DIAGNOSIS

FRONT SUSPENSION WEAR, MISALIGNMENT, BINDING. NOISE, HARSHNESS. REFER TO SECTION 04-01

FRONT WHEEL BEARING ROUGHNESS, ROTOR FLANGE, PILOT OR BOLT CIRCLE RUNOUT, CV JOINT ROUGHNESS, NOISE, VIBRATION. REFER TO HIGH SPEED SHAKE DIAGNOSIS

EXHAUST SYSTEM BINDING, GROUNDING TIP-IN MOAN, BOOM. REFER TO TIP-IN MOAN DIAGNOSIS

REAR WHEEL BEARING ROUGHNESS, MISADJUSTMENT, DRUM FACE, PILOT AND BOLT CIRCLE RUNOUT. NOISE AND VIBRATION. REFER TO HIGH SPEED SHAKE DIAGNOSIS



F6407-C

### ROAD TEST

A gear-driven unit will produce a certain amount of noise. Some noise is acceptable and may be audible at certain speeds or under various driving conditions. The slight noise is in no way detrimental and must be considered normal.

The road test and customer interview (if available) provide information needed to identify the condition and give direction to the correct starting point for diagnosis.

1. Make notes throughout diagnosis routine. Use a Road Test form that includes space for comments. Make sure to write down even the smallest bit of information, it may turn out to be most important.

2. Road test the vehicle and define the condition by reproducing it several times during the road test.
3. Perform the Road Test Quick Checks as soon as the condition is reproduced. This will identify the proper section of the diagnostic procedure. Run through the quick checks, more than once, to ensure they are providing a useable result. Remember, the Road Test Quick Checks may not tell where the concern is, but they will tell where it is not.