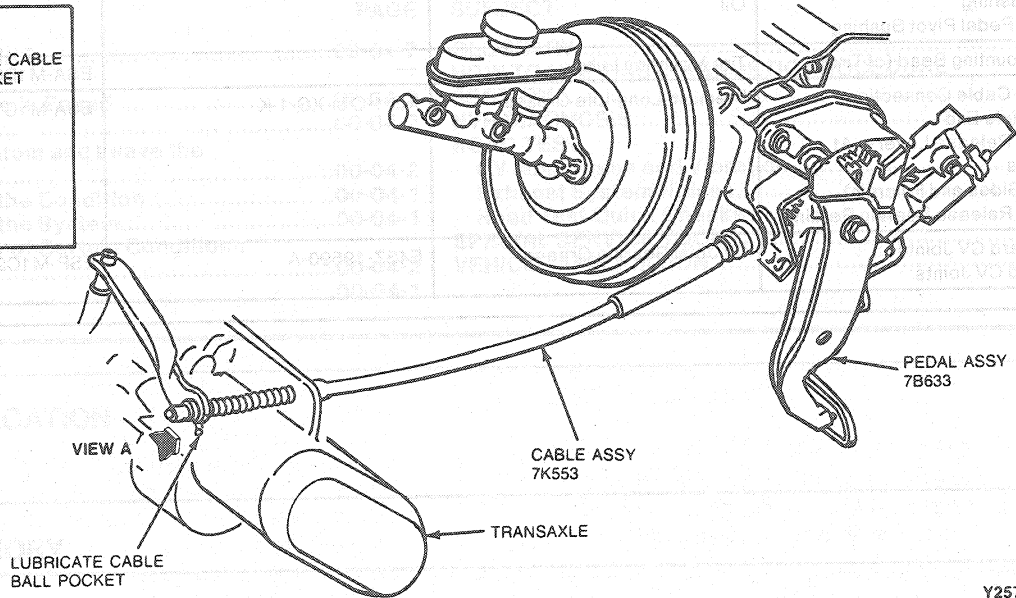
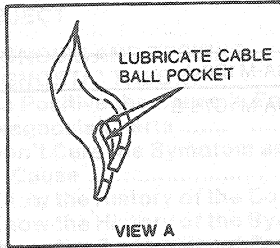


LUBRICATION (Continued)

Chassis Lubrication Points

Chassis Lubrication Points



Y2574-A

SPECIFICATIONS

LUBRICANT SPECIFICATIONS

Description	Part Number	Ford Part Number	Ford Specification
Door and Deck Lid Latches Hinges, Hinge Checks and Pivots Hood Latch and Auxiliary Catch Parking Brake Cable	Multi-Purpose Grease Spray	D7AZ-19584-AA	ESR-M1C159-A
Disc Brake Caliper Locating Pin and Insulator	Silicone Dielectric Compound	D7AZ-19A331-A Motorcraft WA-10	ESE-M1C71-A
Lock Cylinders	Lock Lubricant	D8AZ-19587-AA	ESB-M2C20-A
Steering Gear (Power)	Steering Gear Grease	C3AZ-19578-A	ESW-M1C87-A
Steering—Power (Pump Reservoir)	Motorcraft / Type F Auto. Trans. Fluid or Premium Power Steering Fluid	XT-1-QF or E6AZ-19582-AA	ESW-M2C33-F
Transaxle AXODE (Automatic)	Motorcraft MERCON® Auto. Trans. Fluid	XT-2-QDX	ESR-M2C163-A2
Transaxle (Manual)	Motorcraft MERCON® Auto. Trans. Fluid	XT-2-QDX	ESR-M2C163-A2
Engine Oil Filter	Long Life Oil Filter FL-400A	E4FZ-6731-A	ES-E4EE-6714-AA
Engine Oil—Gasoline Engines	MOTORCRAFT: 5W30 Super Premium 10W30 Super Premium	XO-5W30-QSP XO-10W30-QSP	ESE-M2C153-E and API Category SG
Speedometer Cable	Speedometer Cable Grease	E6TZ-19581-A	ESF-M1C160-A
Engine Coolant	Premium Cooling System Fluid	E2FZ-19549-AA or B	ESE-M97B44-A
Brake Master Cylinder	H.D. Brake Fluid	C6AZ-19542-AA or BA	ESA-M6C25-A
Drum Brake Shoe Ledges	Disc Brake Caliper Slide Grease	D7AZ-19590-A	ESA-M1C172-A

(Continued)