

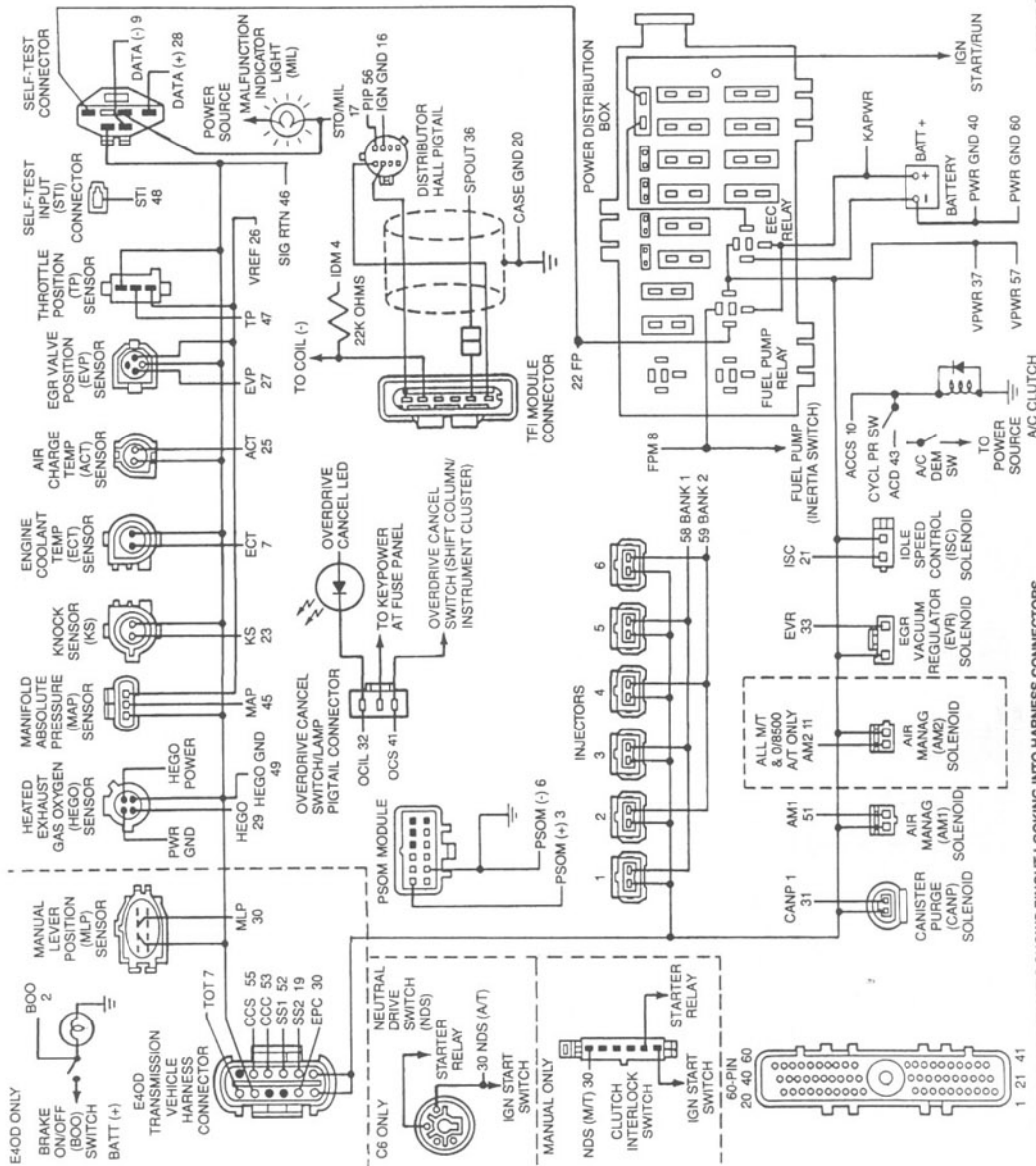
1992-1993  
E Series

4.9L  
MAP  
(VIN Code Y)

VIN: 

1	2	3	4	5	6	7	8	...	17
---	---	---	---	---	---	---	---	-----	----

  
Engine code



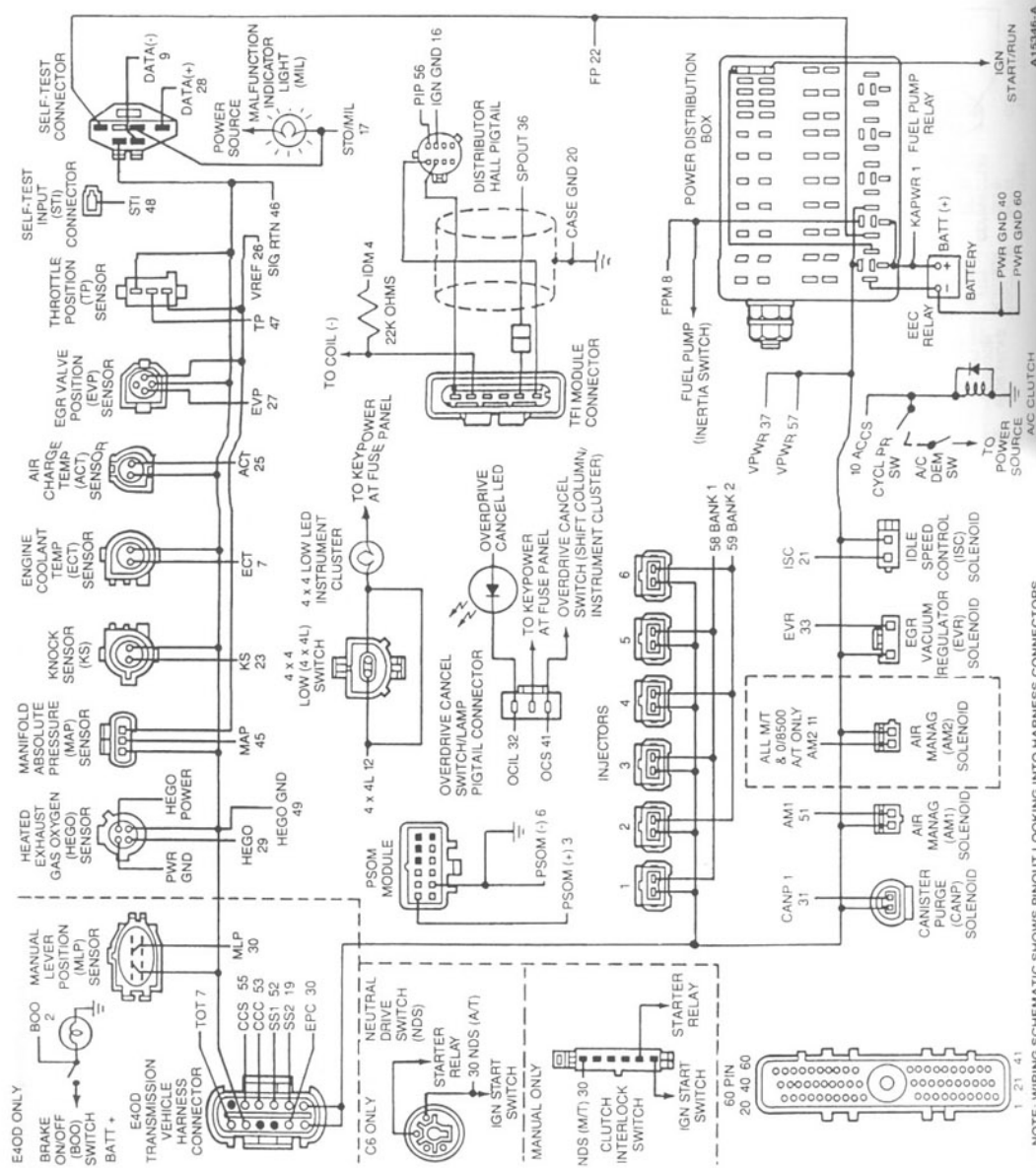
A15347-A

NOTE: WIRING SCHEMATIC SHOWS PINOUT LOOKING INTO HARNESS CONNECTORS

**4.9L  
MAP**  
(VIN Code Y)

**1992-1993  
F Series, Bronco**

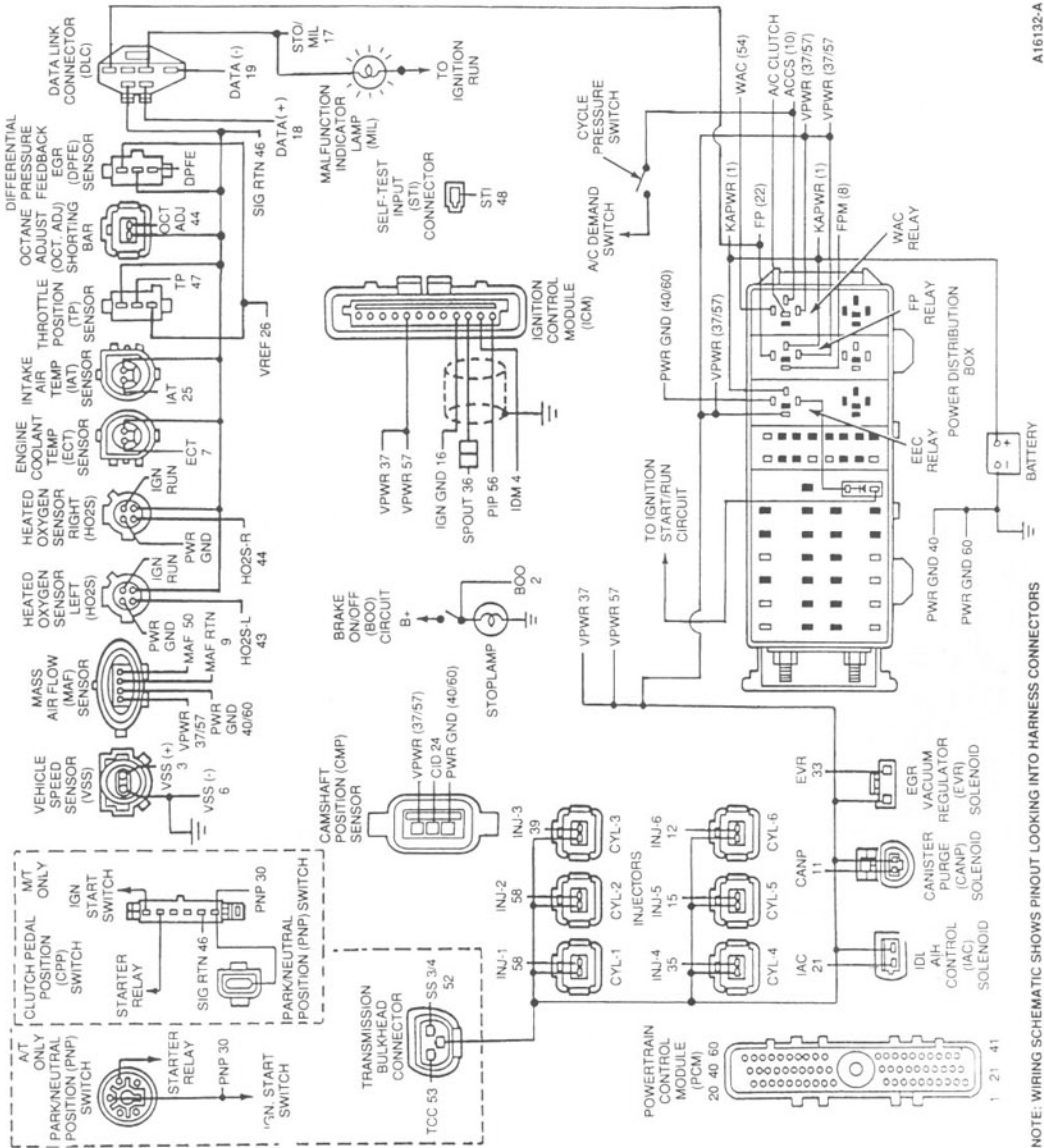
VIN:          ...    
Engine code



1993  
Explorer CA

4.0L  
MAF-SFI  
(VIN Code X)

VIN:  1  2  3  4  5  6  7  8 ...  17  
Engine code



A15346-A

A/C CLUTCH

NOTE: WIRING SCHEMATIC SHOWS PINOUT LOOKING INTO HARNESS CONNECTORS

A16132-A

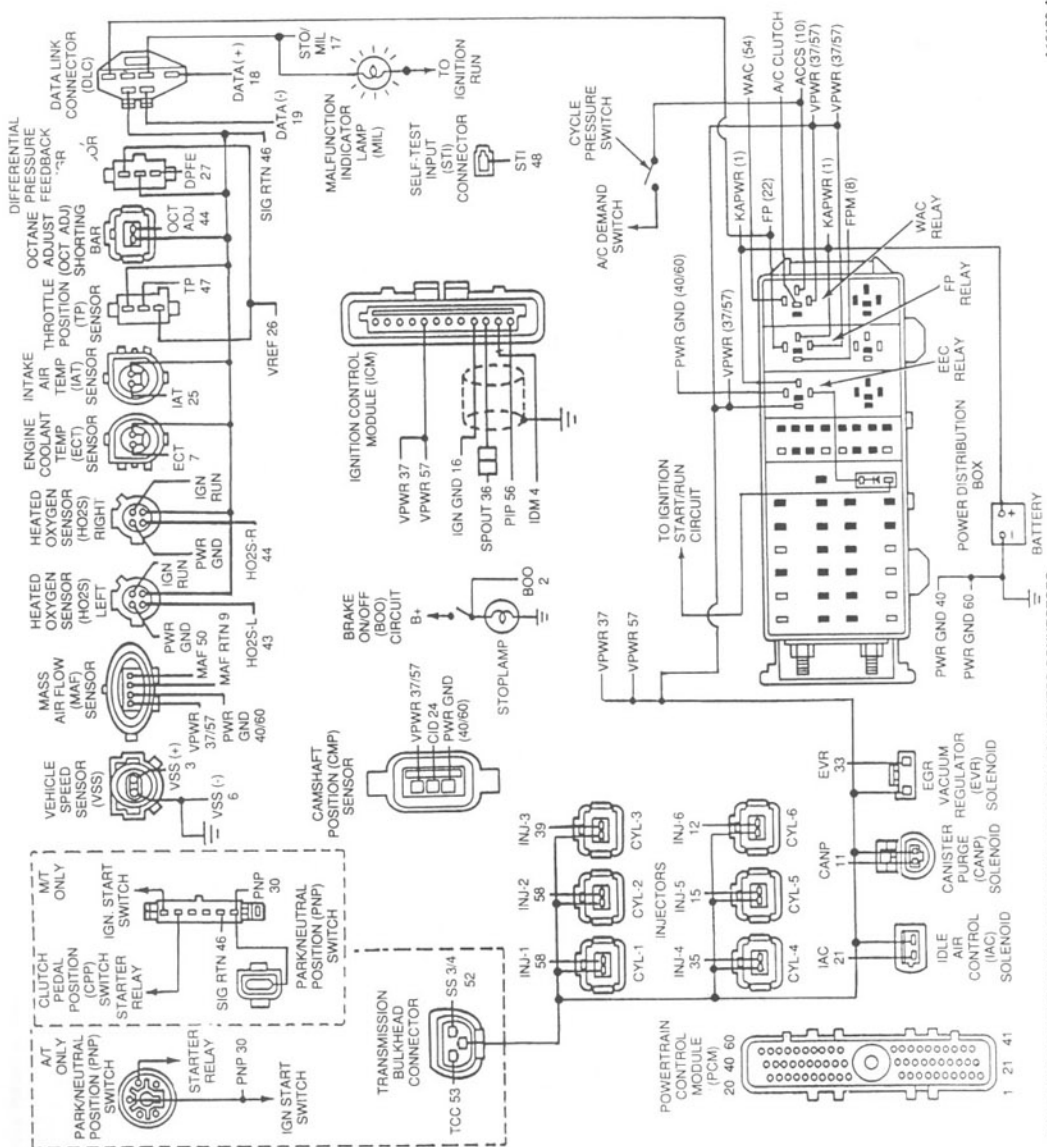
NOTE: WIRING SCHEMATIC SHOWS PINOUT LOOKING INTO HARNESS CONNECTORS

12

## 4.0L MAF-SFI (VIN Code X)

## 1993 Ranger CA

VIN: 1 2 3 4 5 6 7 8 ... 17  
Engine code



A16130-A

NOTE: WIRING SCHEMATIC SHOWS PINOUT LOOKING INTO HARNESS CONNECTORS

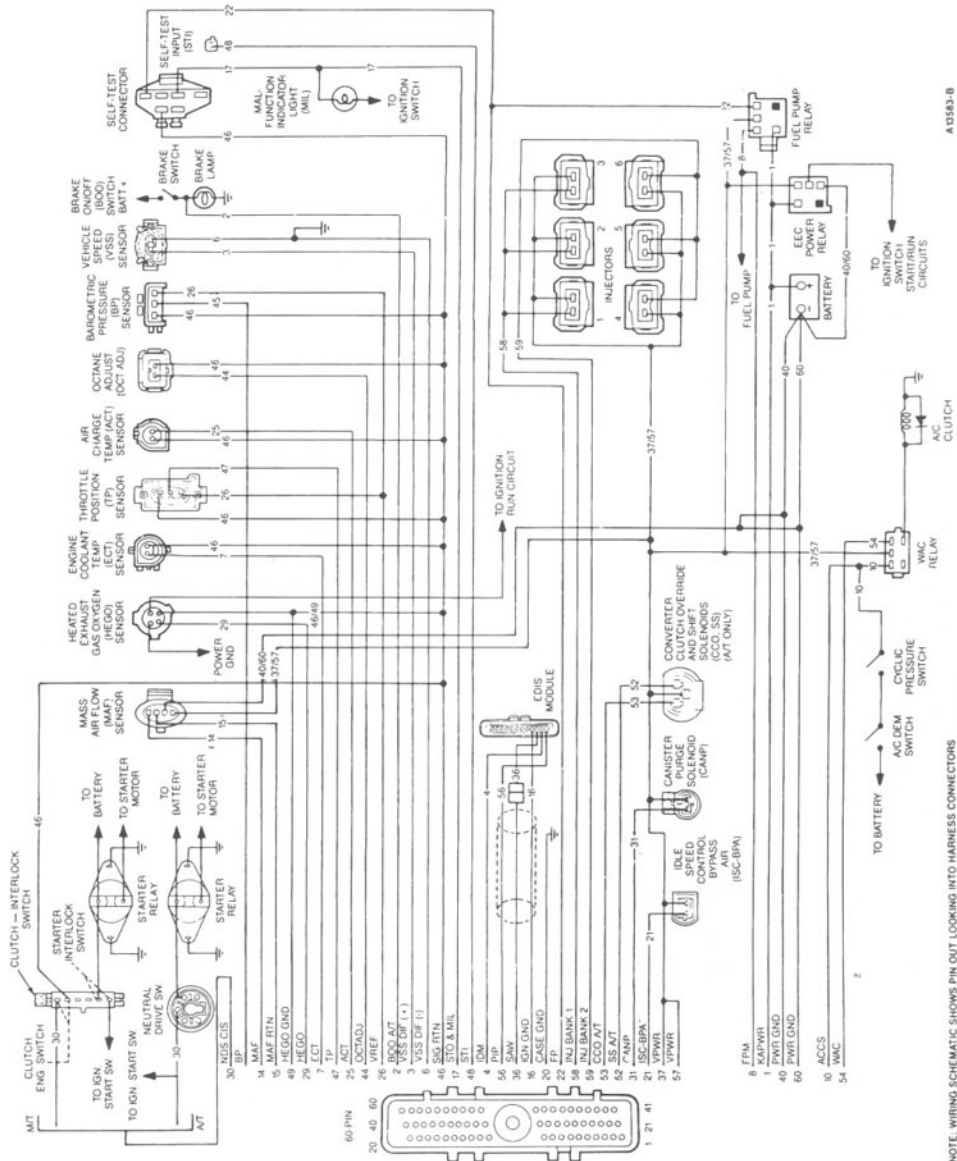
1990-1991  
Ranger, Explorer, 1991 Aerostar,  
1990 Bronco II

4.0L  
MAF  
(VIN Code X)

VIN: 

1	2	3	4	5	6	7	8	...	17
□	□	□	□	□	□	□	□	...	□

  
Engine code



NOTE: WIRING SCHEMATIC SHOWS PIN OUT. LOOKING INTO HARNESS CONNECTORS

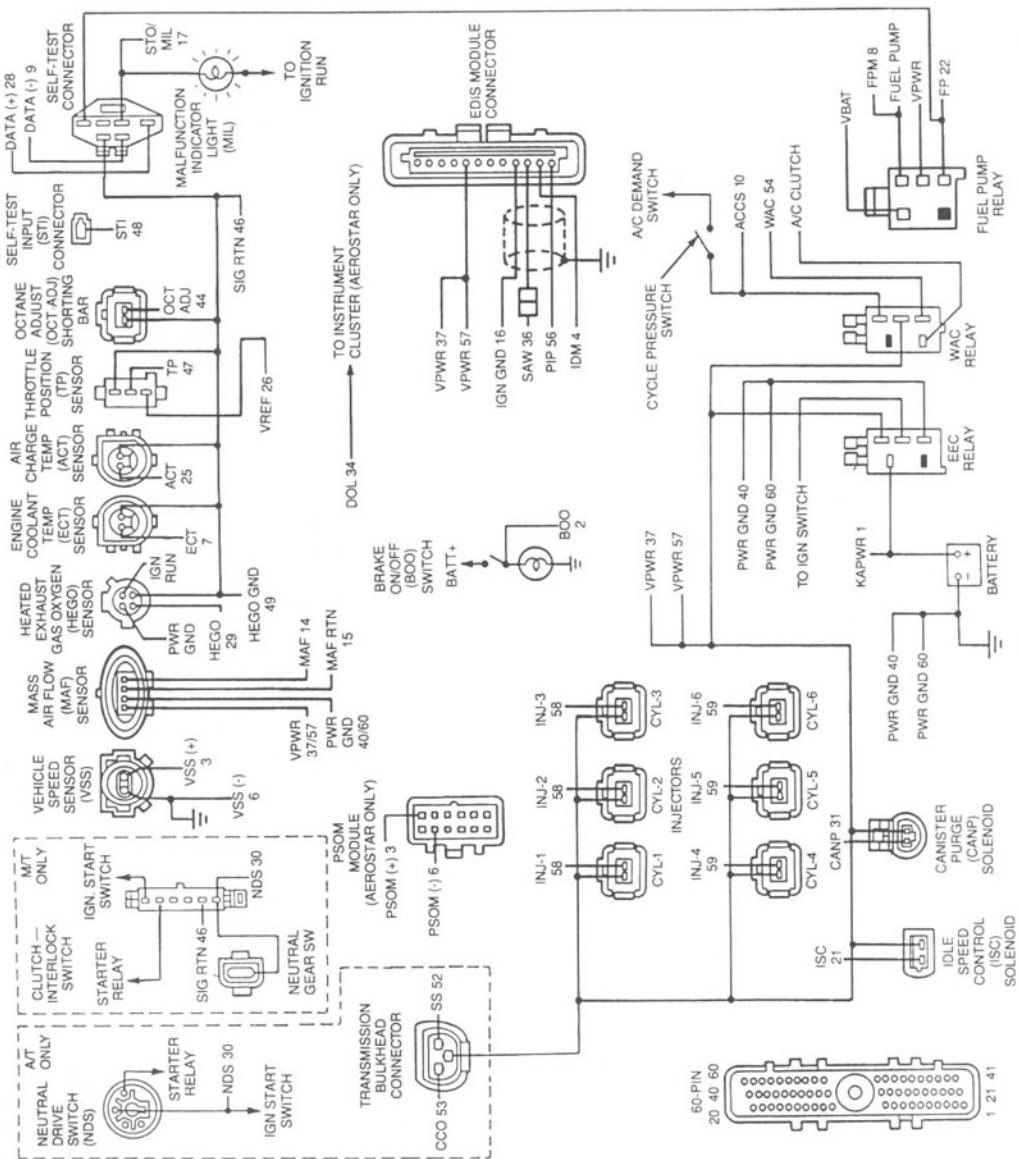
A D584-B

NOTE: WIRING SCHEMATIC SHOWS PINOUT. LOOKING INTO HARNESS CONNECTORS

**4.0L  
MAF**  
(VIN Code X)

**1992  
Ranger, Explorer,  
1992–1993 Aerostar**

VIN: 1 2 3 4 5 6 7 8 ... 17  
Engine code



A15345-A

NOTE: WIRING SCHEMATIC SHOWS PINOUT LOOKING INTO HARNESS CONNECTORS

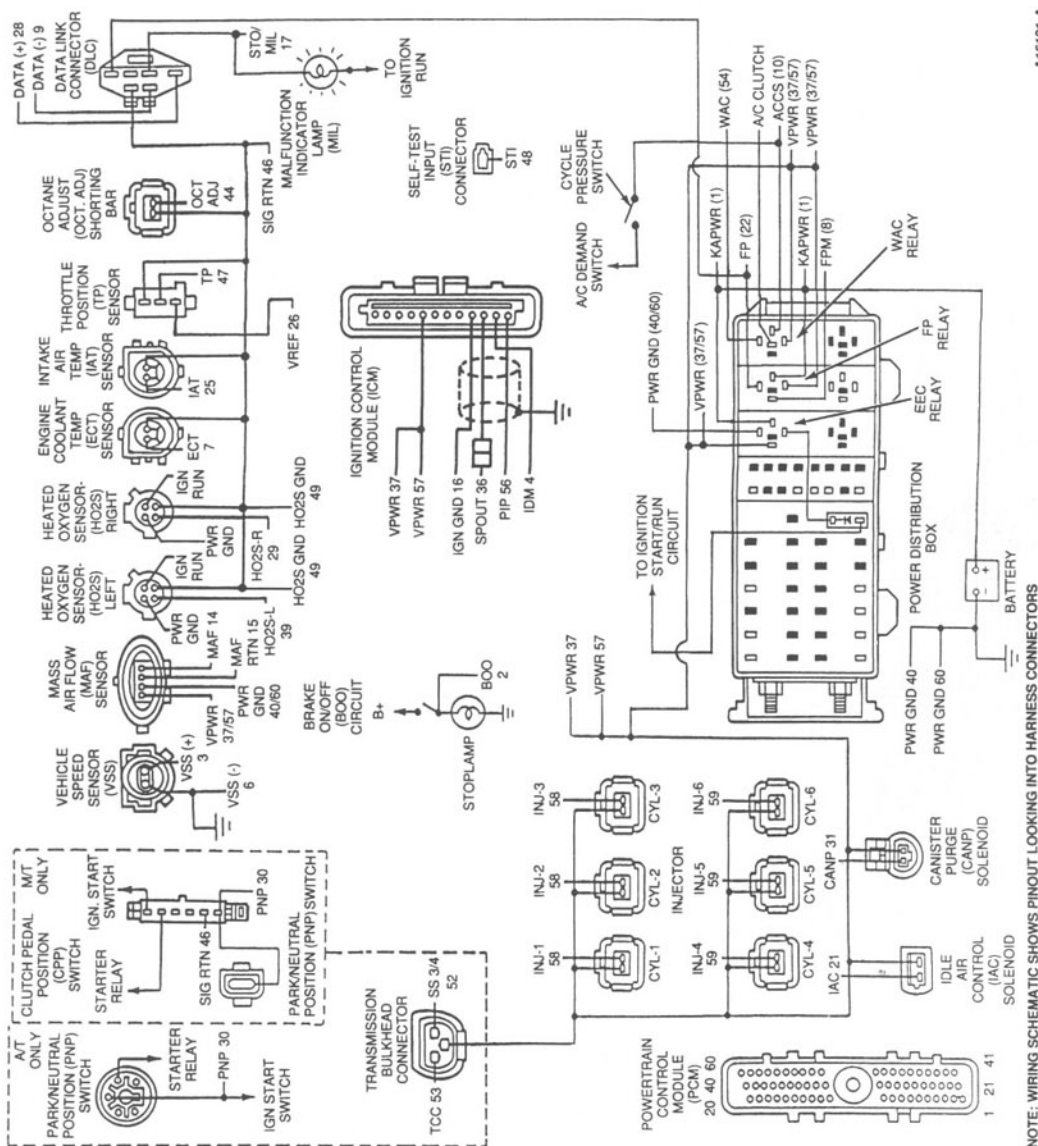
## 1993 Explorer (49-state)

### 4.0L MAF (VIN Code X)

VIN: 

1	2	3	4	5	6	7	8	...	17

  
Engine code



A16131-A

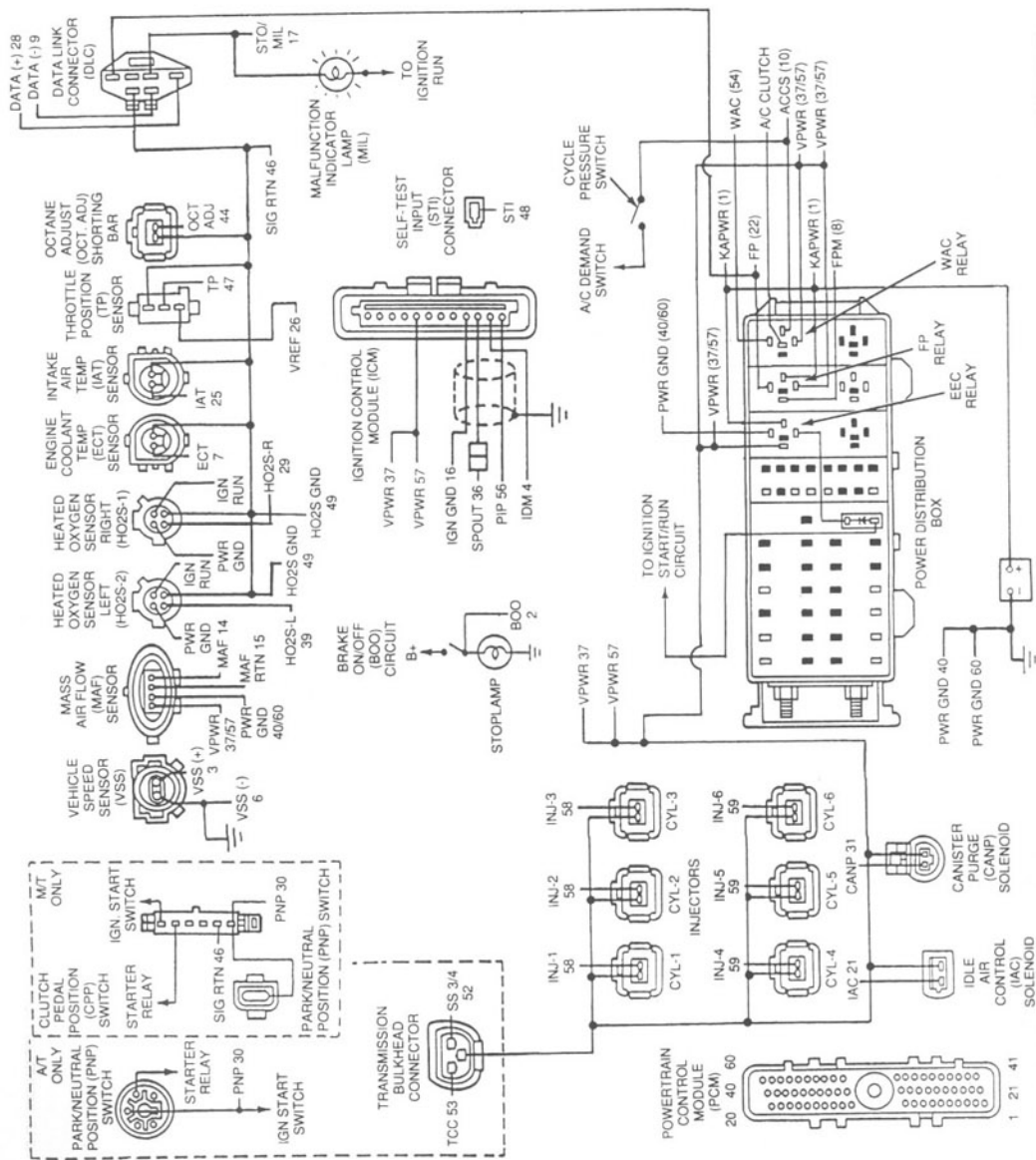
12

NOTE: WIRING SCHEMATIC SHOWS PINOUT LOOKING INTO HARNESS CONNECTORS

# 4.0L MAF (VIN Code X)

## 1993 Ranger (49-state)

VIN: [ ]  
Engine code



NOTE: WIRING SCHEMATIC SHOWS PINOUT LOOKING INTO HARNESS CONNECTORS

A16129-A

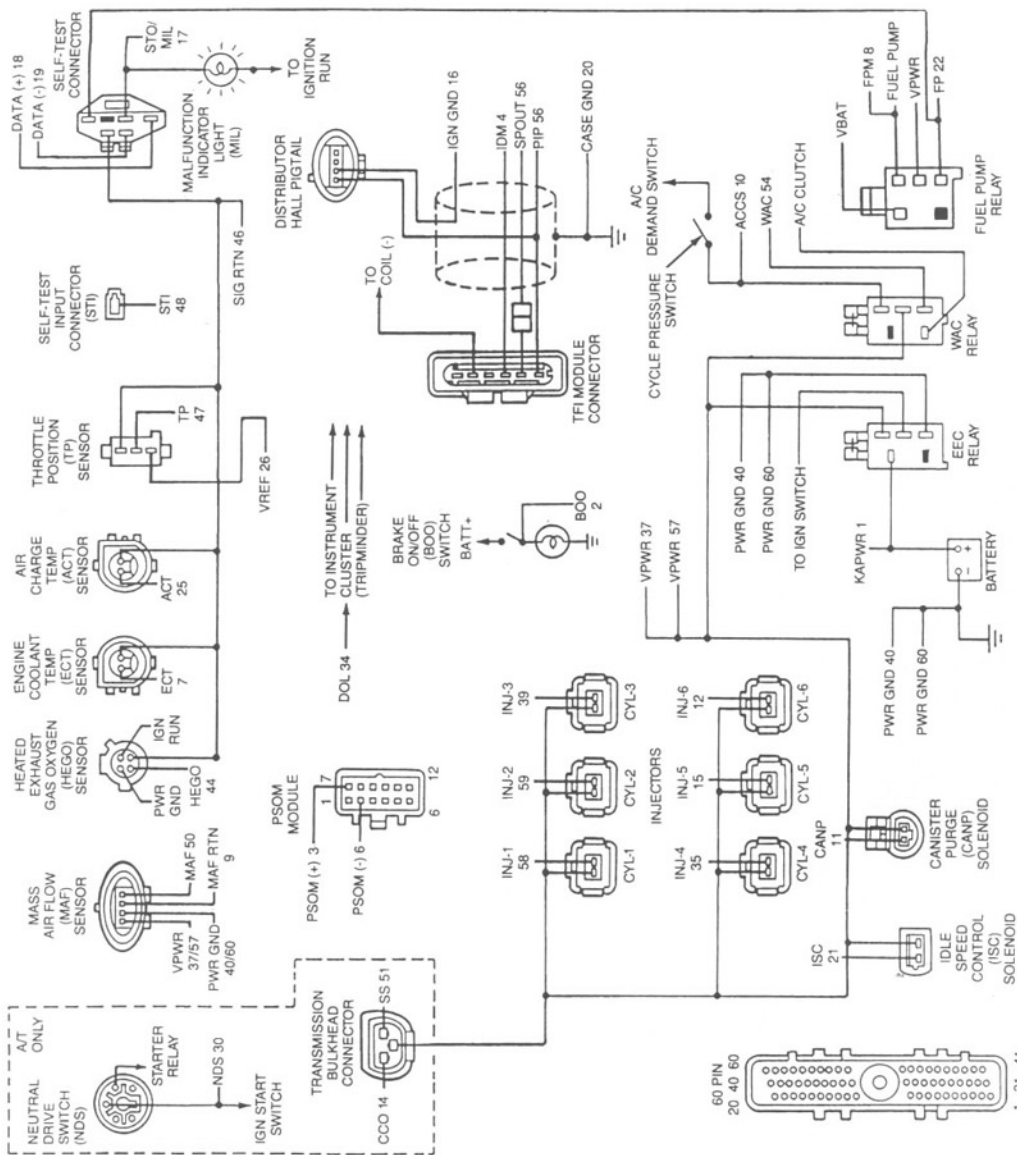
DATA (+) 18  
ENGINE AIR  
HEATED AIR  
AT



1992-1993  
Aerostar

3.0L  
MAF-SFI  
(VIN Code U)

VIN:  1  2  3  4  5  6  7  8  ...  17  
Engine code



A15344-A

NOTE: WIRING SCHEMATIC SHOWS PINOUT LOOKING INTO HARNESS CONNECTORS

12

NOTE: WIRING SCHEMATIC SHOWS PINOUT LOOKING INTO HARNESS CONNECTORS

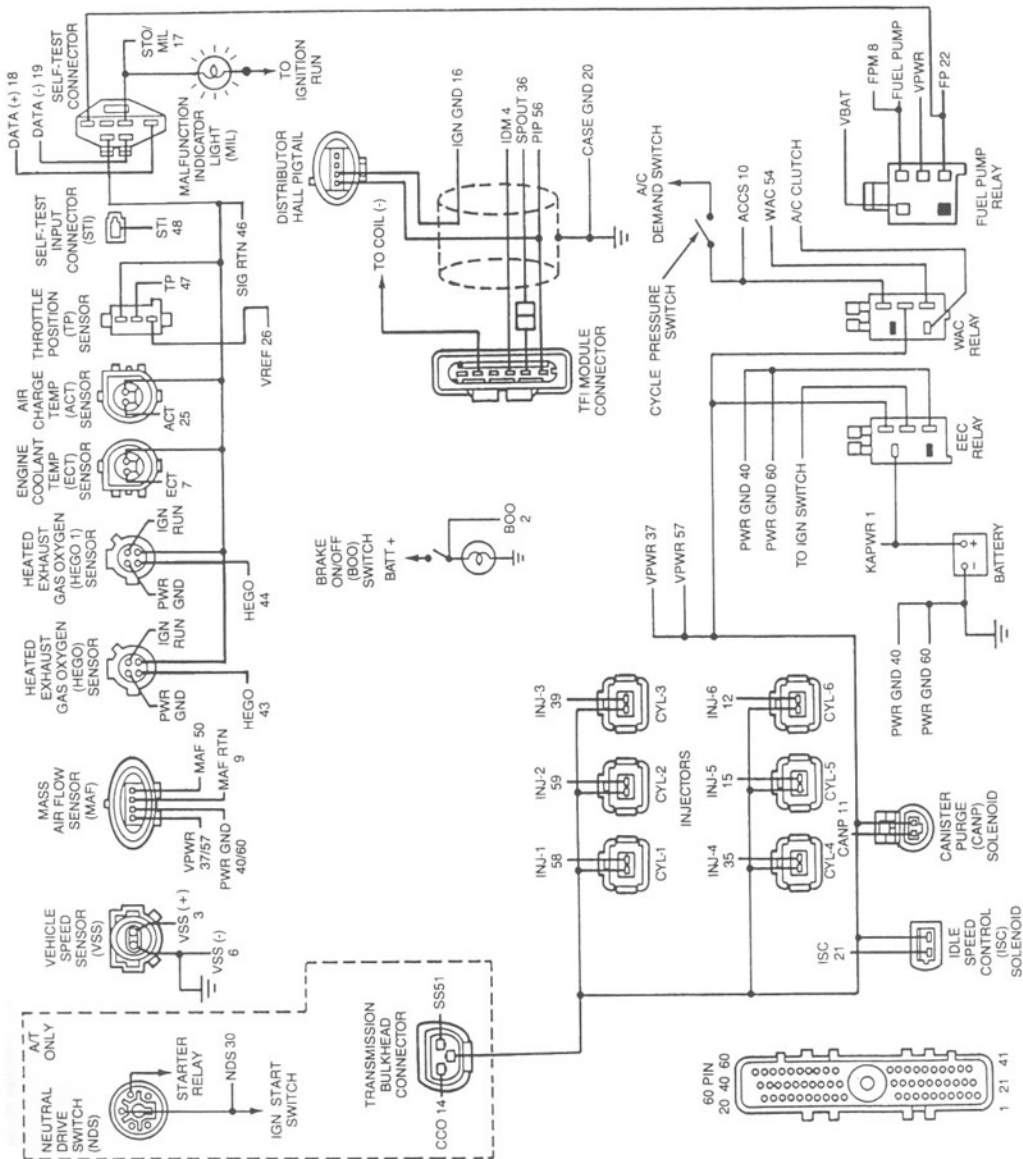
**3.0L MAF-SFI**  
(VIN Code U)

**1992-1993**  
**Ranger**

VIN: 

1	2	3	4	5	6	7	8	...	17
---	---	---	---	---	---	---	---	-----	----

  
Engine code



NOTE: WIRING SCHEMATIC SHOWS PINOUT LOOKING INTO HARNESS CONNECTORS

A 15343-A

1991  
Ranger

3.0L  
MAF  
(VIN Code U)

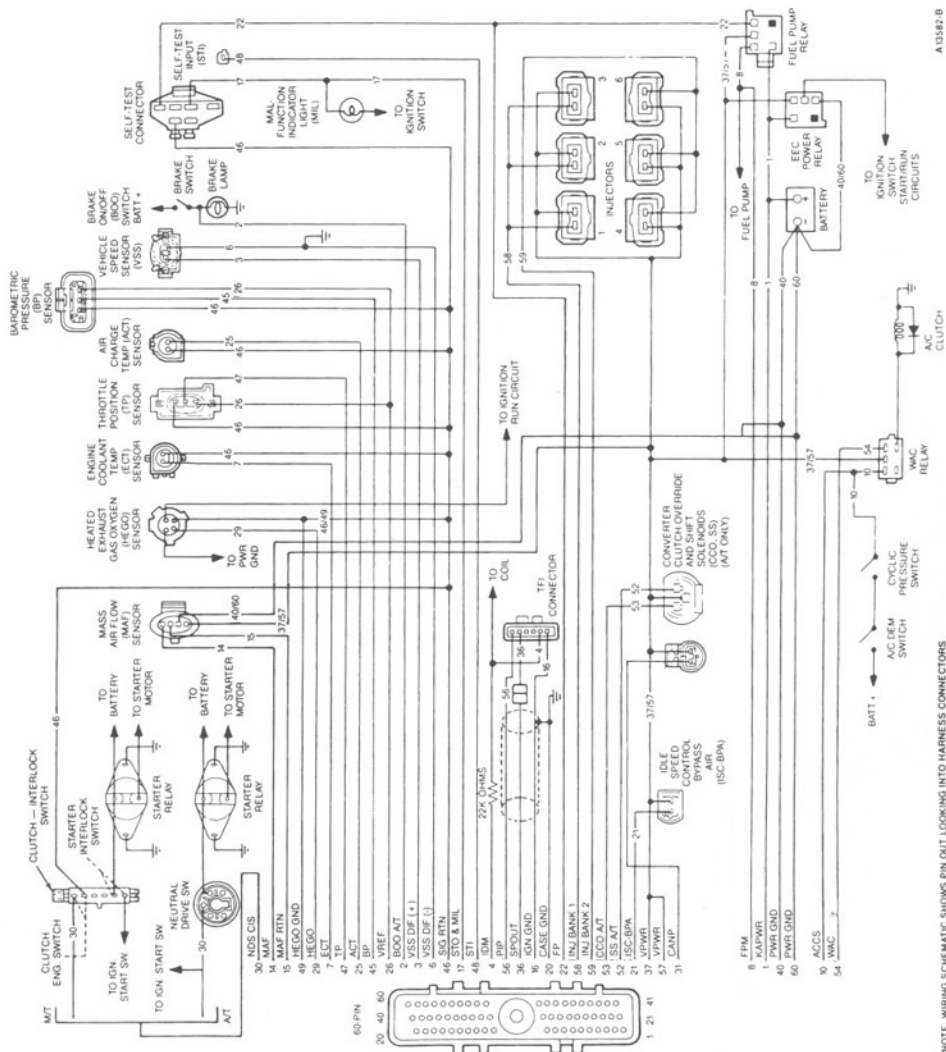
VIN: 

--	--	--	--	--	--	--	--	--	--	--

 17  
Engine code

A15343-A

SOLENOID  
NOTE: WIRING SCHEMATIC SHOWS PINOUT LOOKING INTO HARNESS CONNECTORS



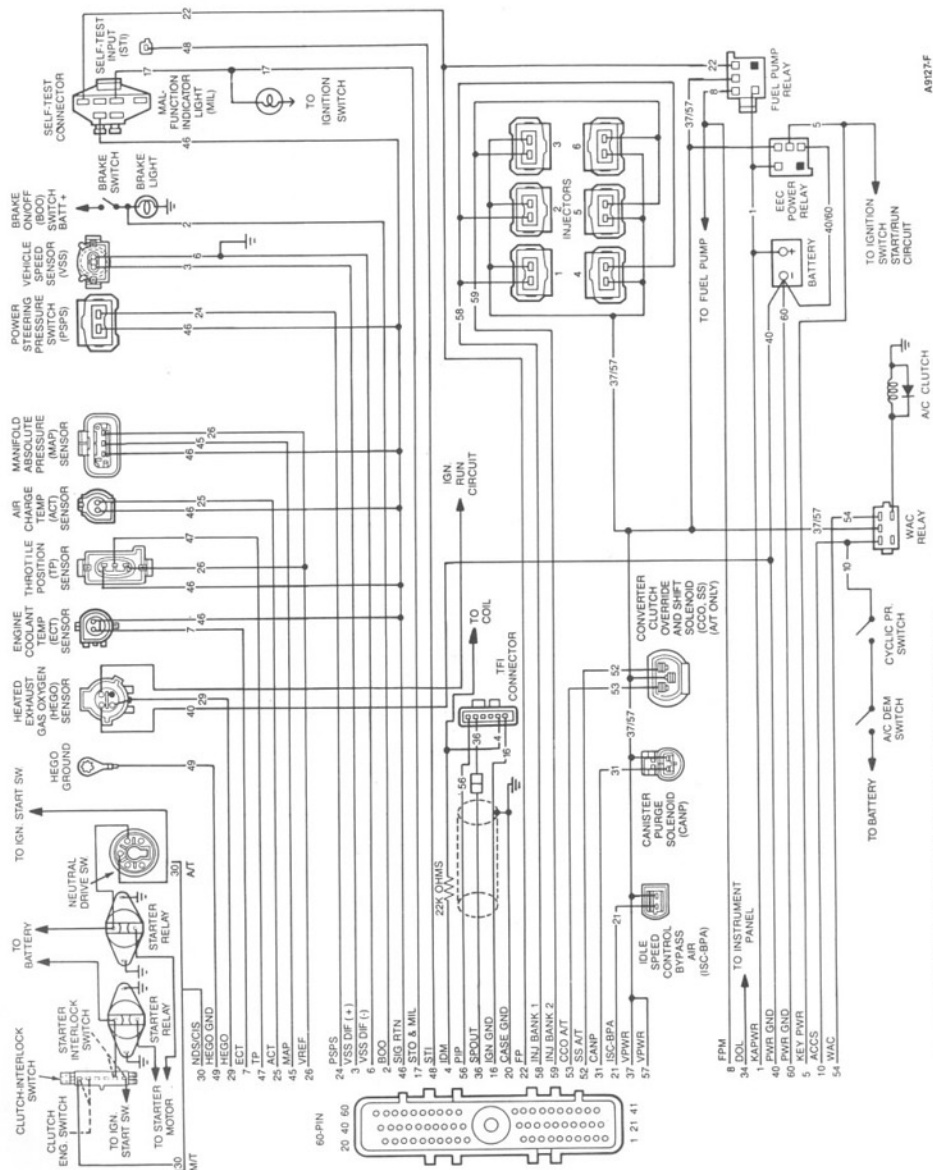
NOTE: WIRING SCHEMATIC SHOWS PIN OUT LOOKING INTO HARNESS CONNECTORS

A 15352-B

**3.0L MAP**  
(VIN Code U)

**1988-1991**  
**Aerostar**

VIN:                            ...        
Engine code

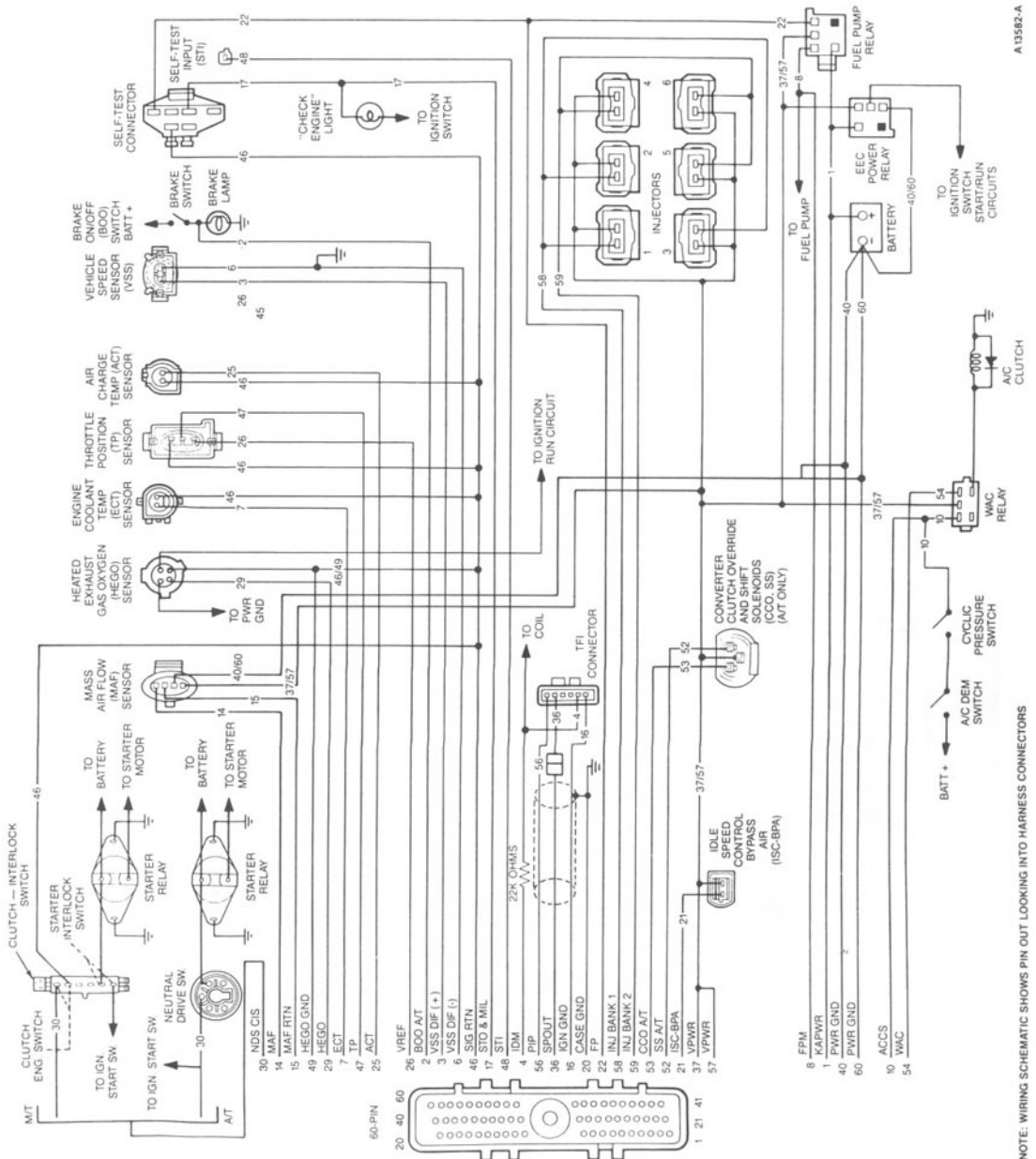


NOTE: WIRING SCHEMATIC SHOWS PIN OUT LOOKING INTO HARNESS CONNECTORS

1990  
Ranger, Bronco (CA)

**2.9L  
MAF**  
(VIN Code T)

VIN: 1 2 3 4 5 6 7 8 ... 17  
Engine code



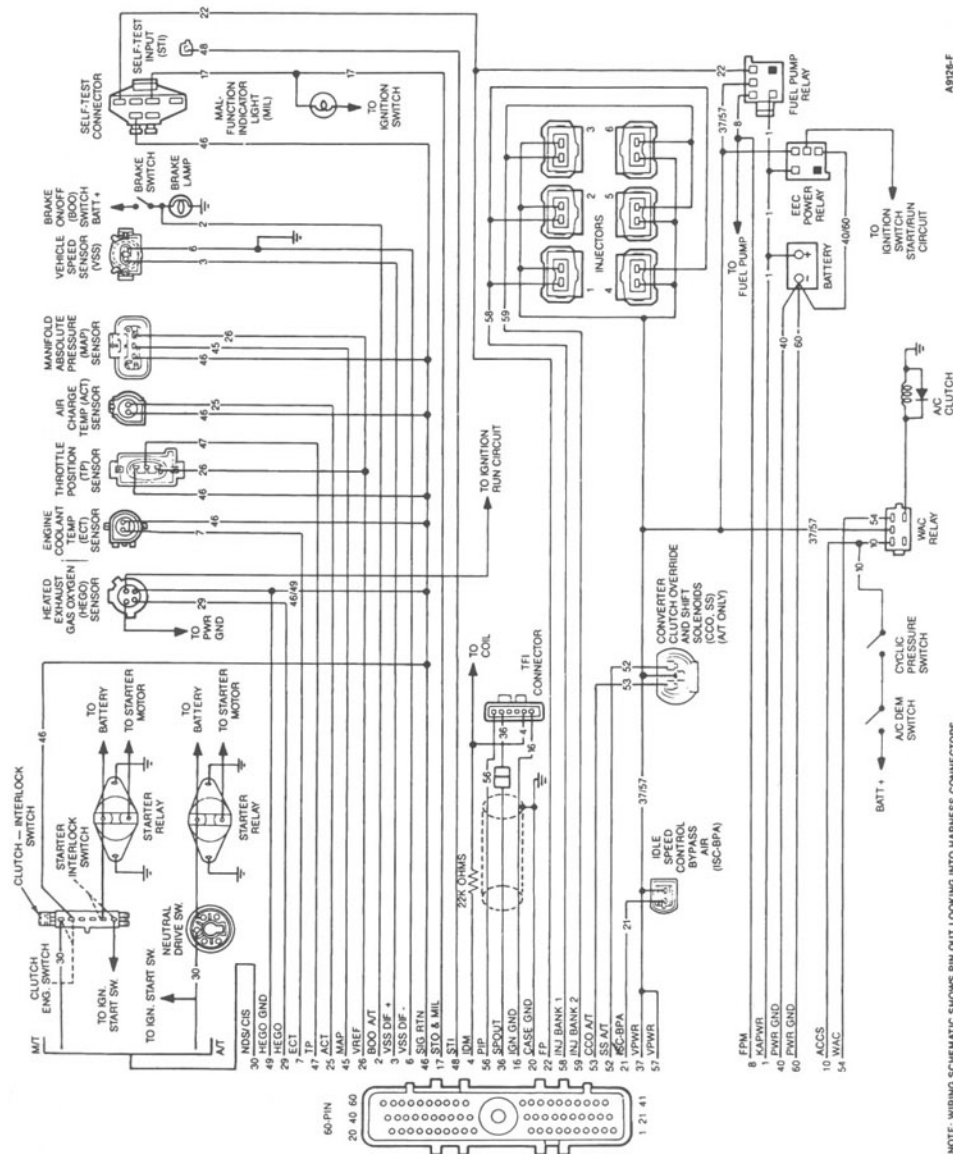
A 13582-A

NOTE: WIRING SCHEMATIC SHOWS PIN OUT LOOKING INTO HARNESS CONNECTORS

**2.9L  
MAP**  
(VIN Code T)

**1988-1991  
Ranger, 90 Bronco**

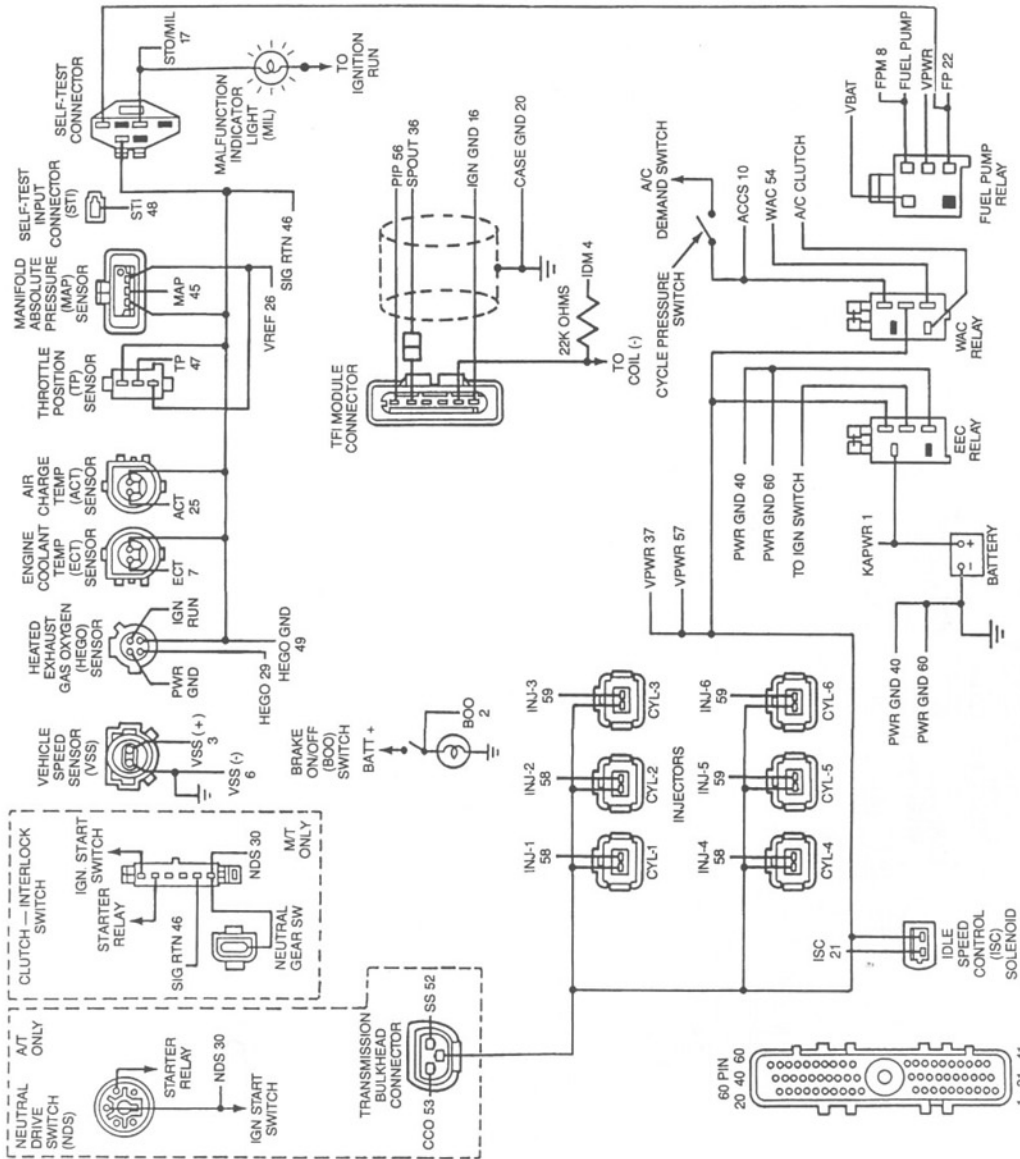
VIN:  1  2  3  4  5  6  7  8  ...  17  
Engine code



1992  
Ranger

**2.9L  
MAP**  
(VIN Code T)

VIN:  1  2  3  4  5  6  7  8  ...  17  
Engine code



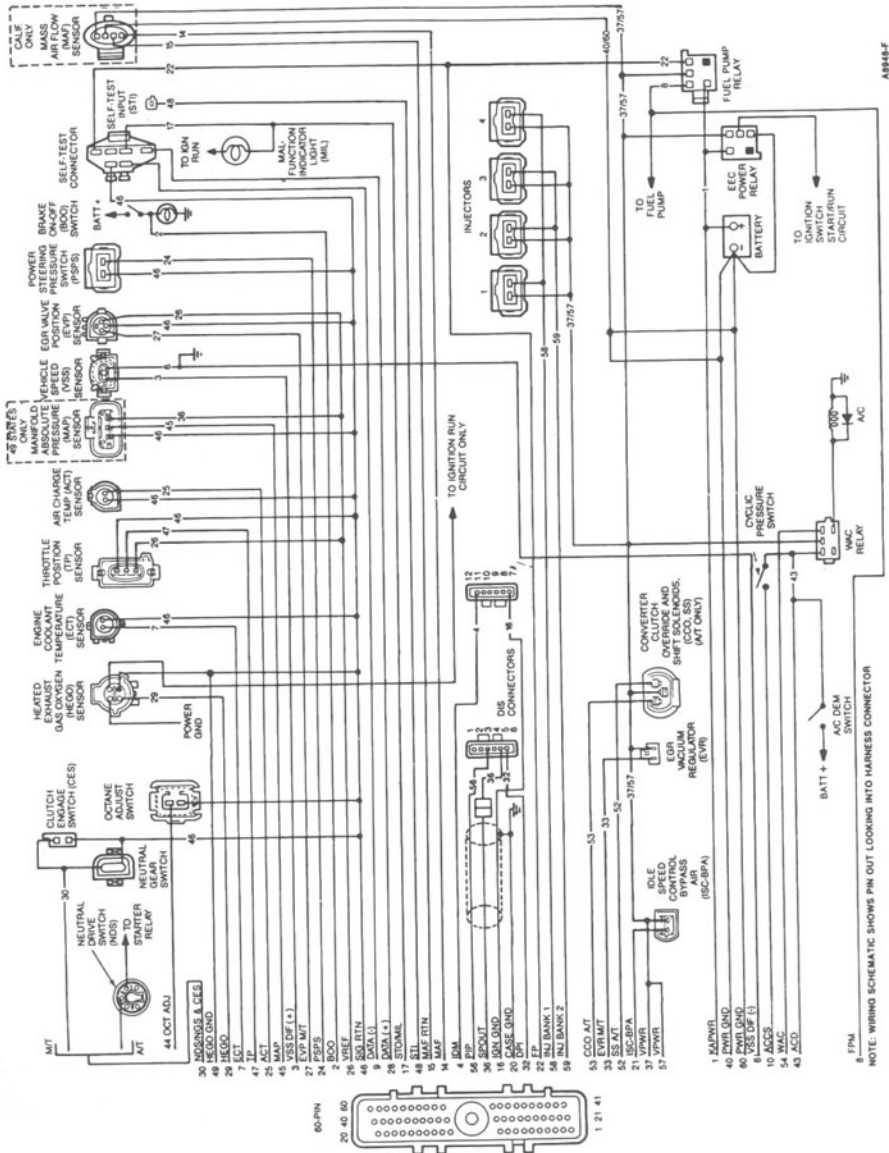
NOTE: WIRING SCHEMATIC SHOWS PINOUT LOOKING INTO HARNESS CONNECTORS

A5342-A

## 2.3L OHC MAF (VIN Code A)

## 1988-1991 Ranger

VIN:  1  2  3  4  5  6  7  8 ...  17  
 Engine code

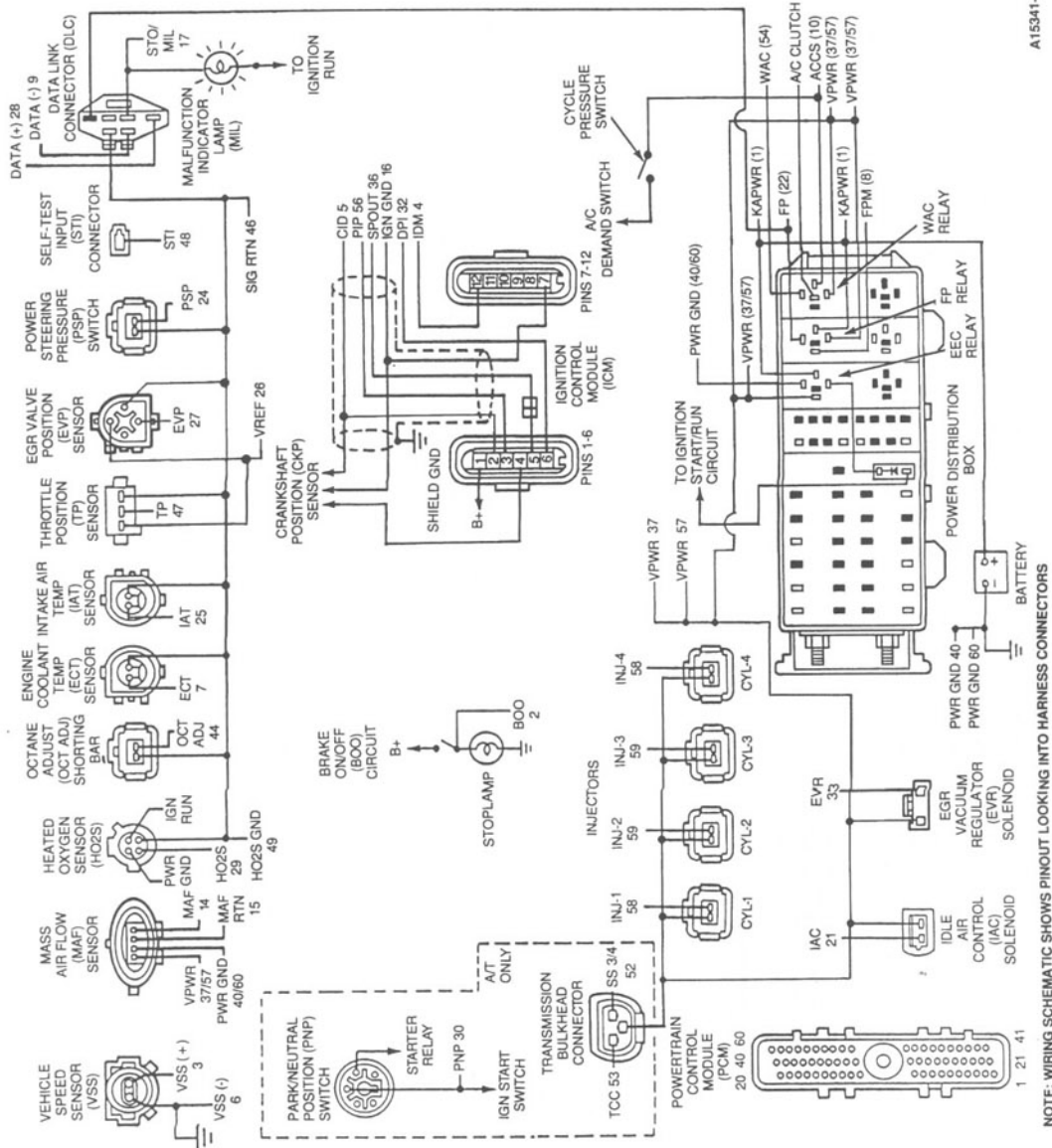




1992-1993  
Ranger

2.3L  
OHC MAP  
(VIN Code A)

VIN:  1  2  3  4  5  6  7  8  ...  17  
Engine code



A15341-B

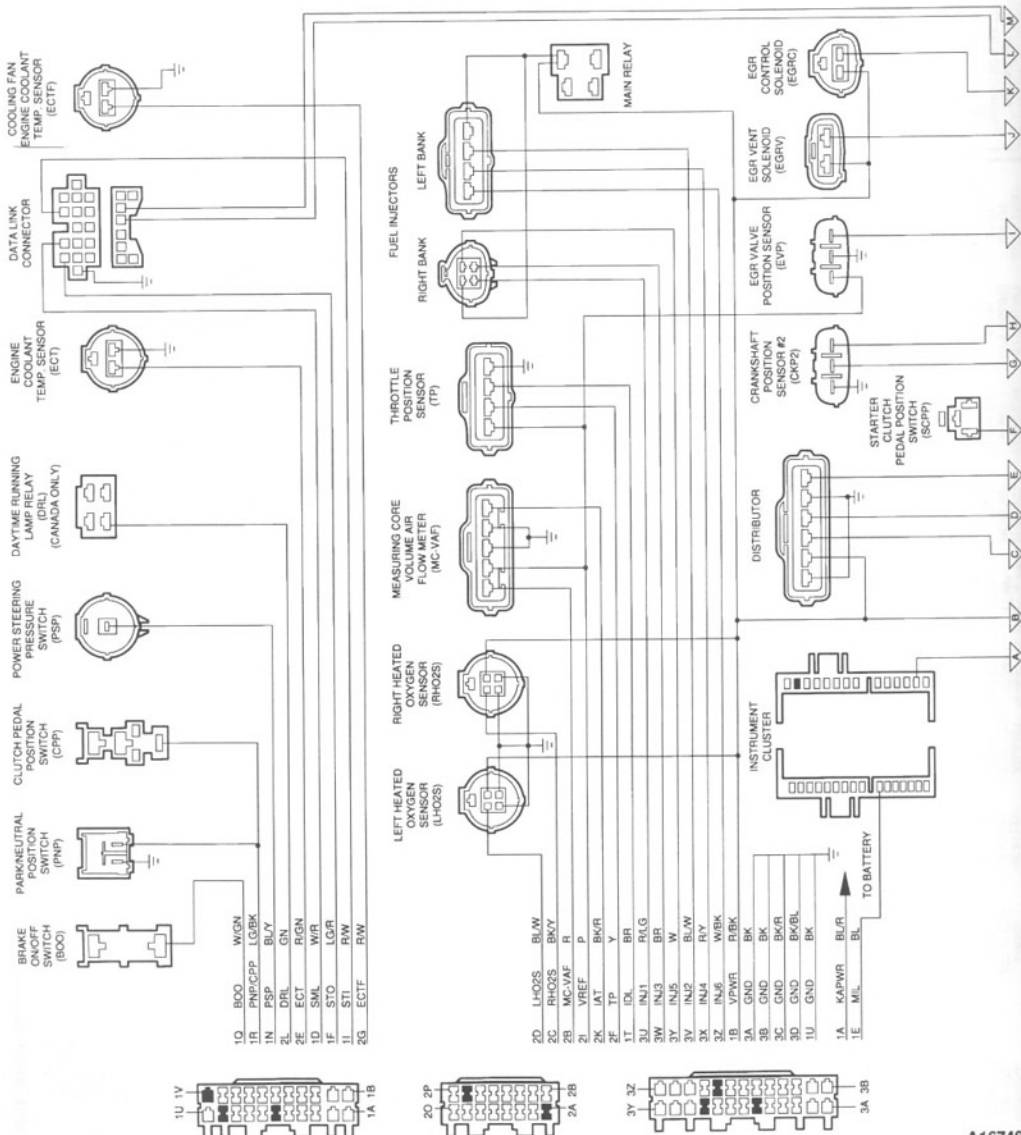
12

NOTE: WIRING SCHEMATIC SHOWS PINOUT LOOKING INTO HARNESS CONNECTORS

**2.5L V-6  
MC VAF-SFI**  
(VIN Code B)

**1993  
Probe  
MTX inputs**

VIN: 1 2 3 4 5 6 7 8 ... 17  
Engine code

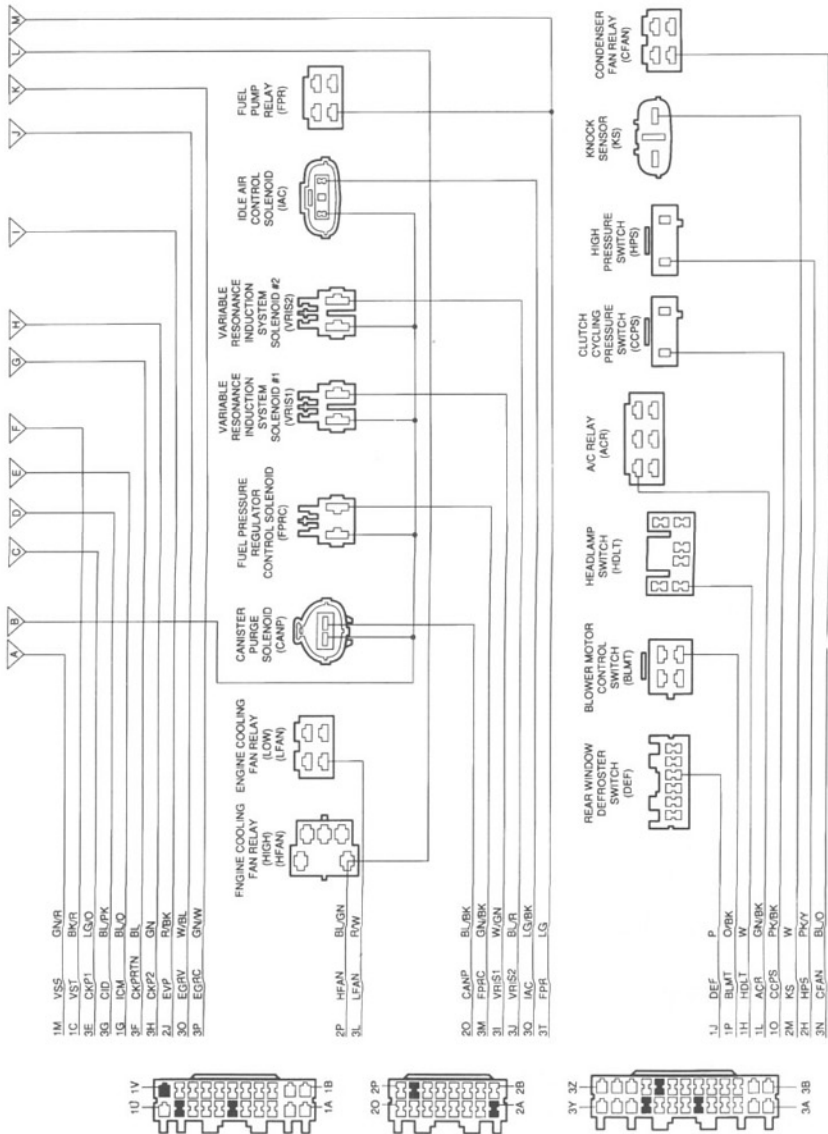


A16746-B

1993  
Probe  
MTX outputs

2.5L V-6  
MC VAF-SFI  
(VIN Code B)

VIN:  1  2  3  4  5  6  7  8  ...  17  
Engine code



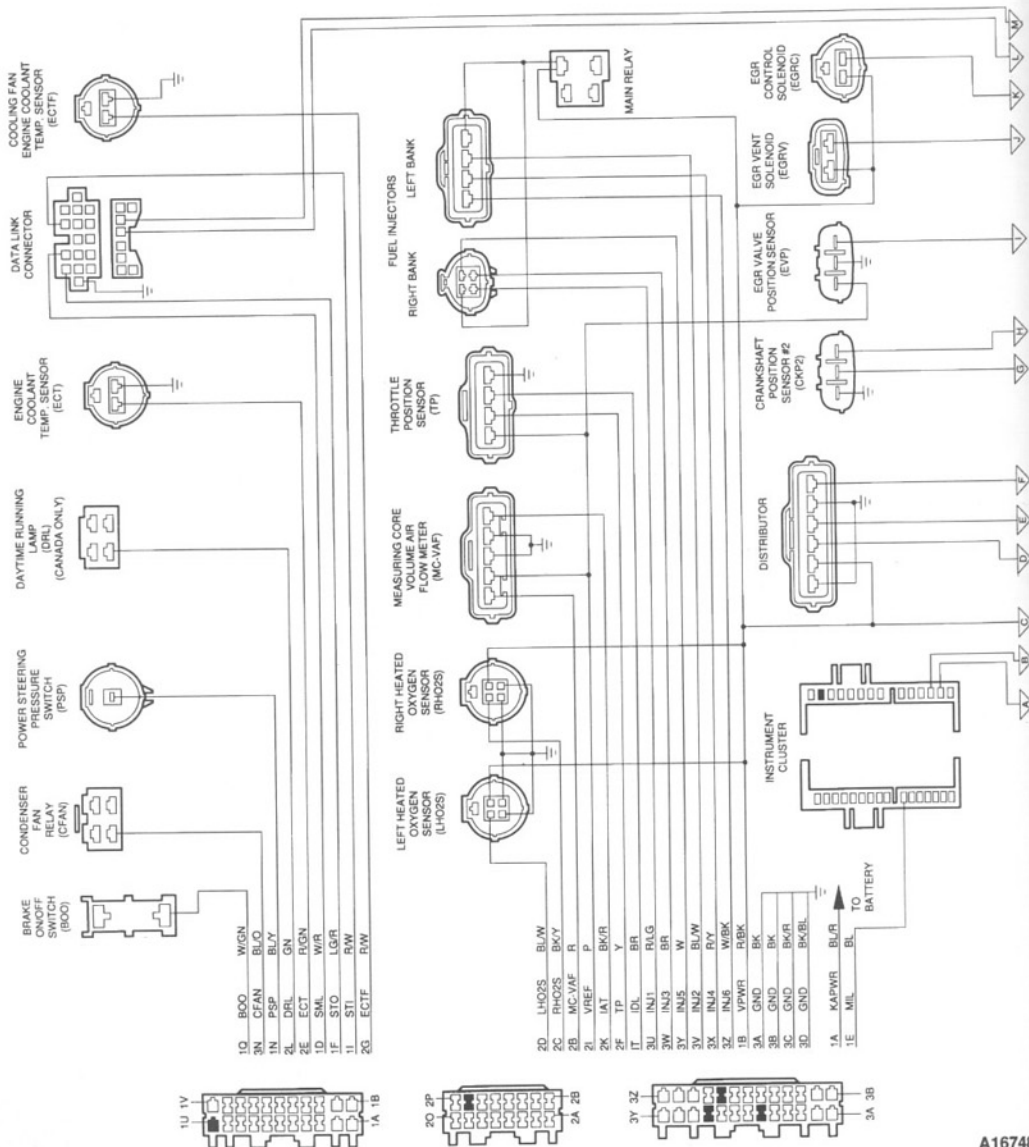
12

A16747-B

**2.5L V-6  
MC VAF-SFI**  
(VIN Code B)

**1993  
Probe  
4EAT inputs**

VIN:  1  2  3  4  5  6  7  8 ...  17  
Engine code

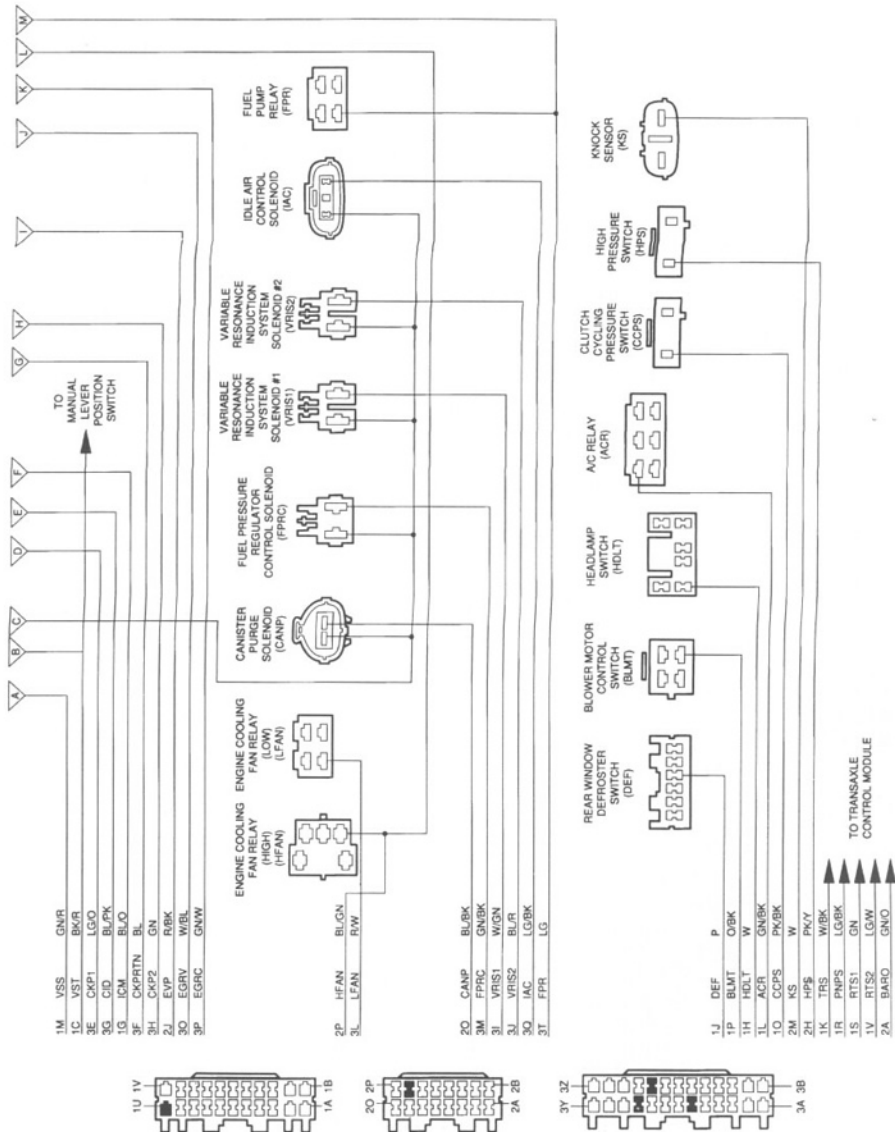


A16748-B

1993  
Probe  
4EAT outputs

2.5L V-6  
MC VAF-SFI  
(VIN Code B)

VIN:  1  2  3  4  5  6  7  8 ...  17  
Engin  code



12

A16749-B





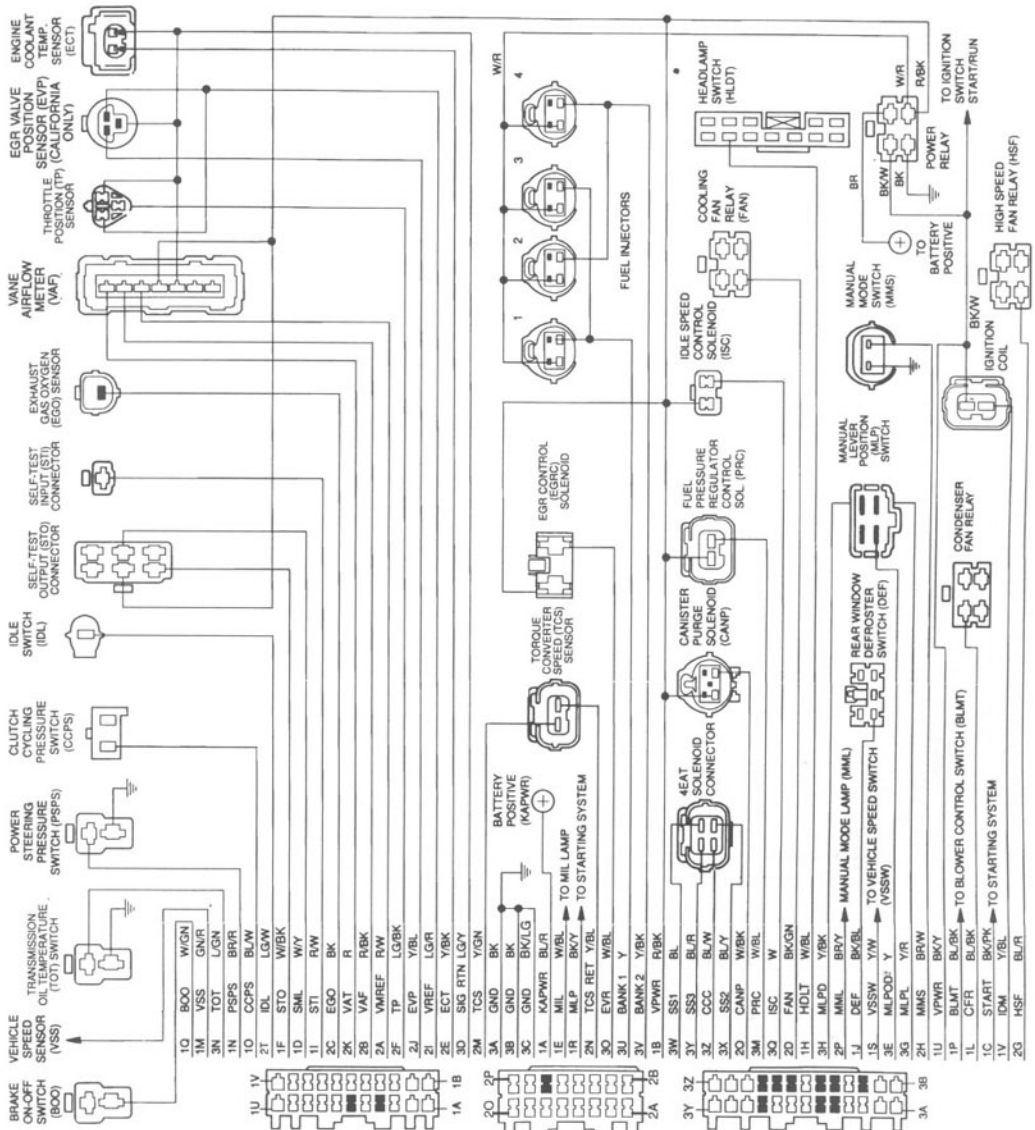




1991-1992  
Probe  
4EAT

2.2L  
Non-turbo VAF  
(VIN Code C)

VIN: 1 2 3 4 5 6 7 8 ... 17  
Engine code



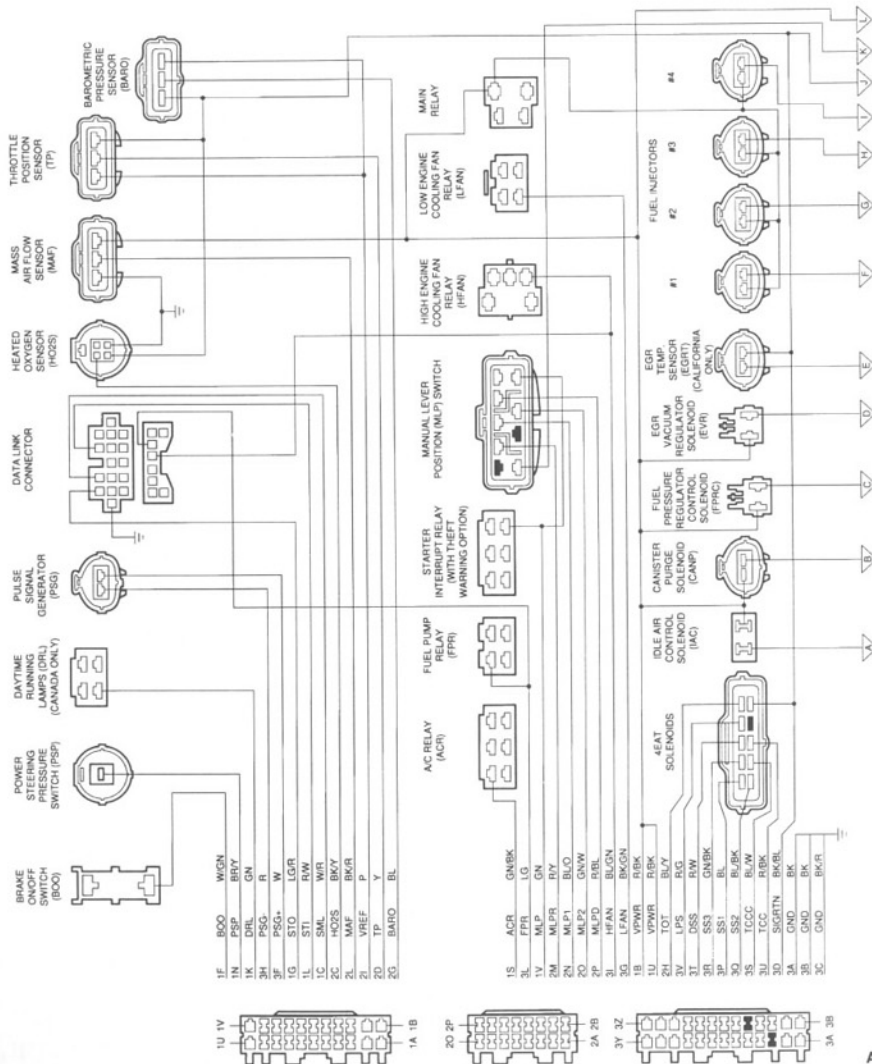
A13900-E

**2.0L MAF**  
(VIN Code A, 4EAT)

**1993 Probe**  
**4EAT inputs**



**NOTE:** The transaxle control module is integrated with the powertrain control module on 2.0L 4EAT vehicles.

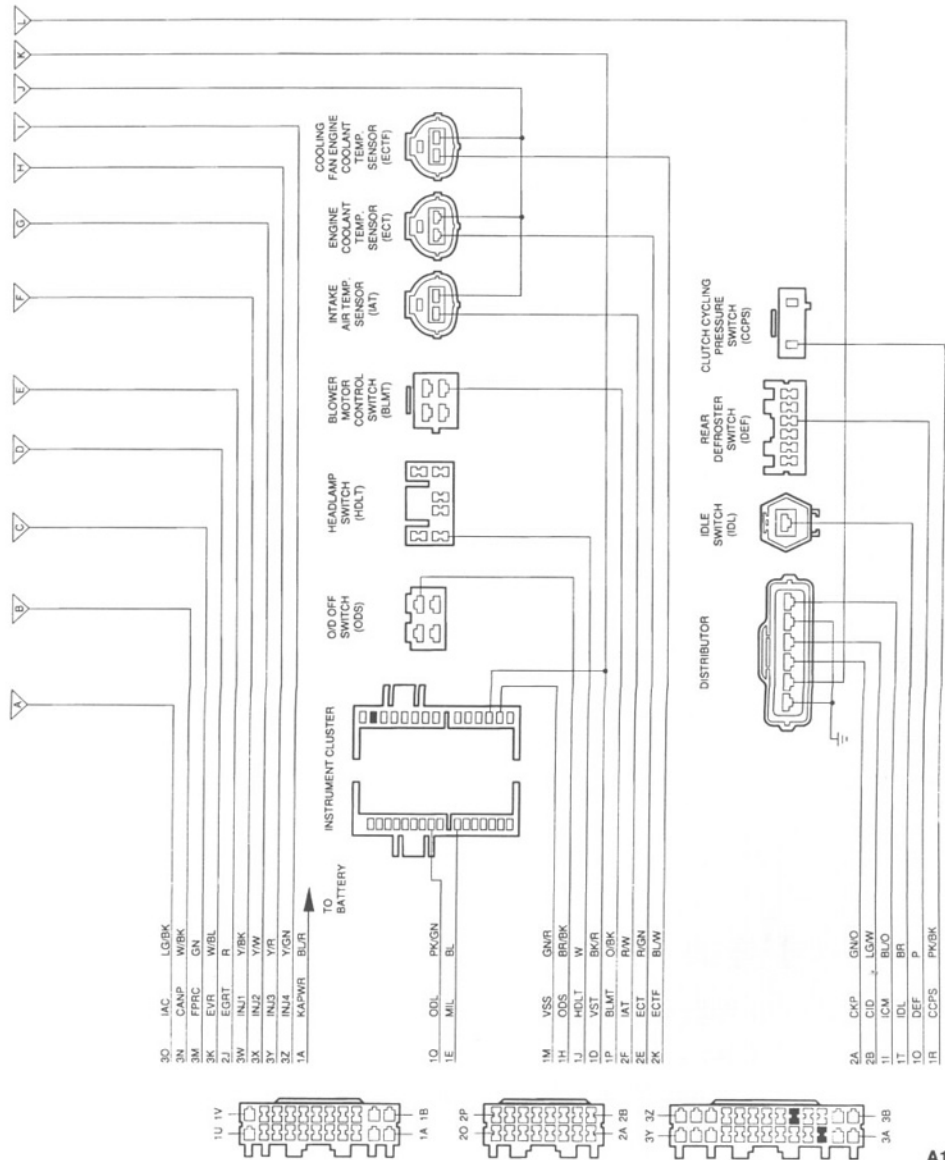


A16744-B

# 1993 Probe 4EAT outputs

## 2.0L MAF (VIN Code A, 4EAT)

VIN: 1 2 3 4 5 6 7 8 ... 17  
Engine code



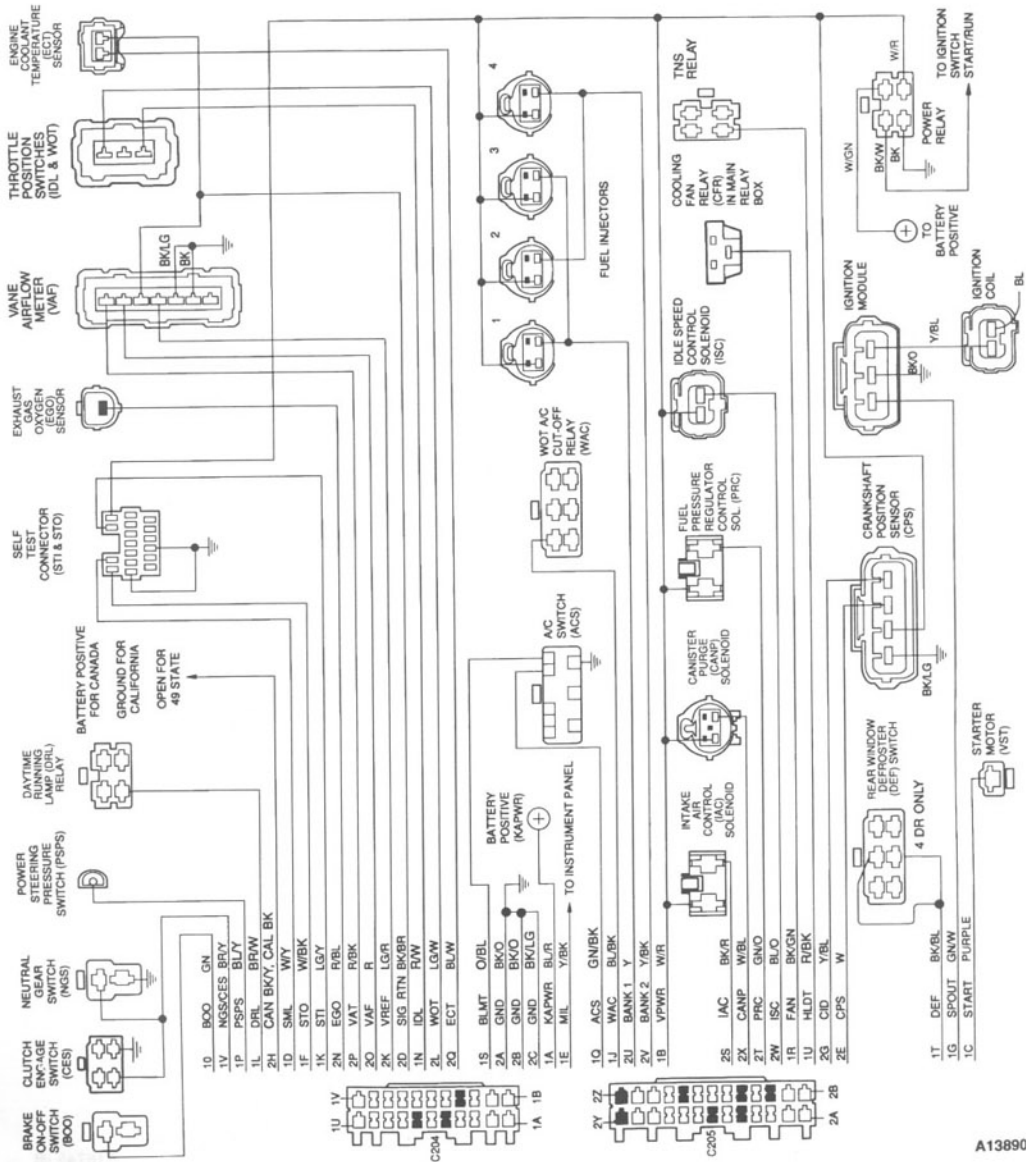
A16745-B

12

**1.8**  
**VAF**  
(VIN Code 8)

**1991-1993**  
**Escort, Tracer**  
**MTX**

VIN:  1  2  3  4  5  6  7  8 ...  17  
Engine code



A13890-G

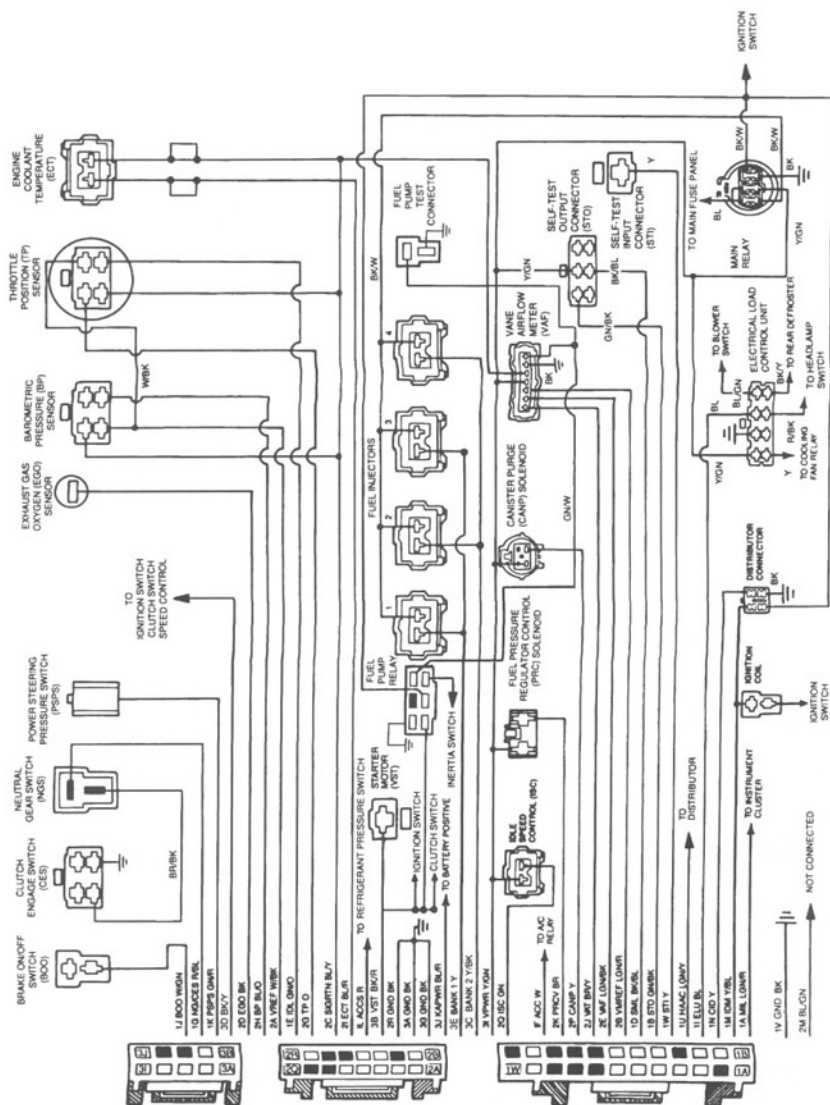




1991-1993  
Capri  
MTX

**1.6L  
Non-turbo VAF**  
(VIN Code Z)

VIN:          ...    
Engine code



A15150-D

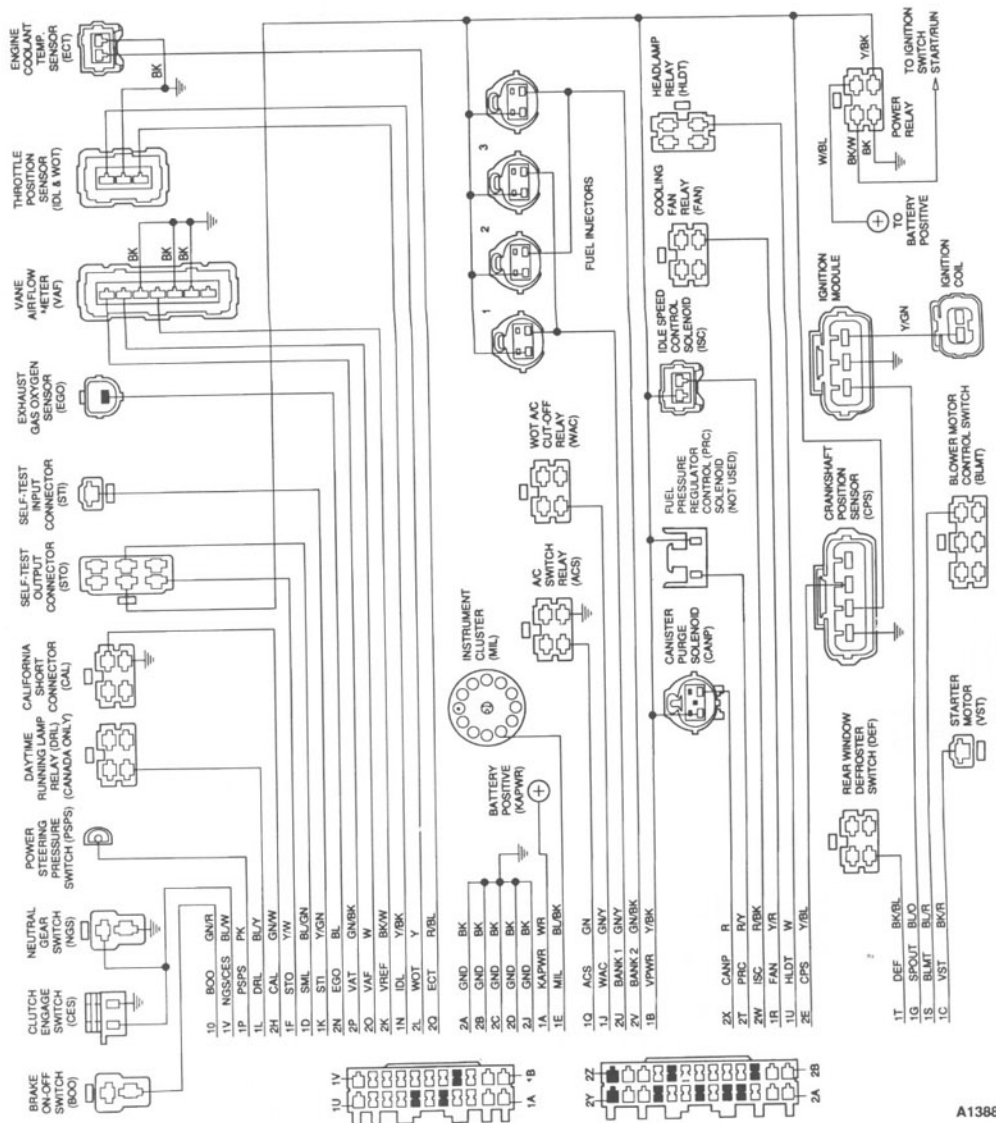




1991-1993  
Fiesta  
MTX

1.3L  
VAF  
(VIN Code H)

VIN: 1 2 3 4 5 6 7 8 ... 17  
Engine code

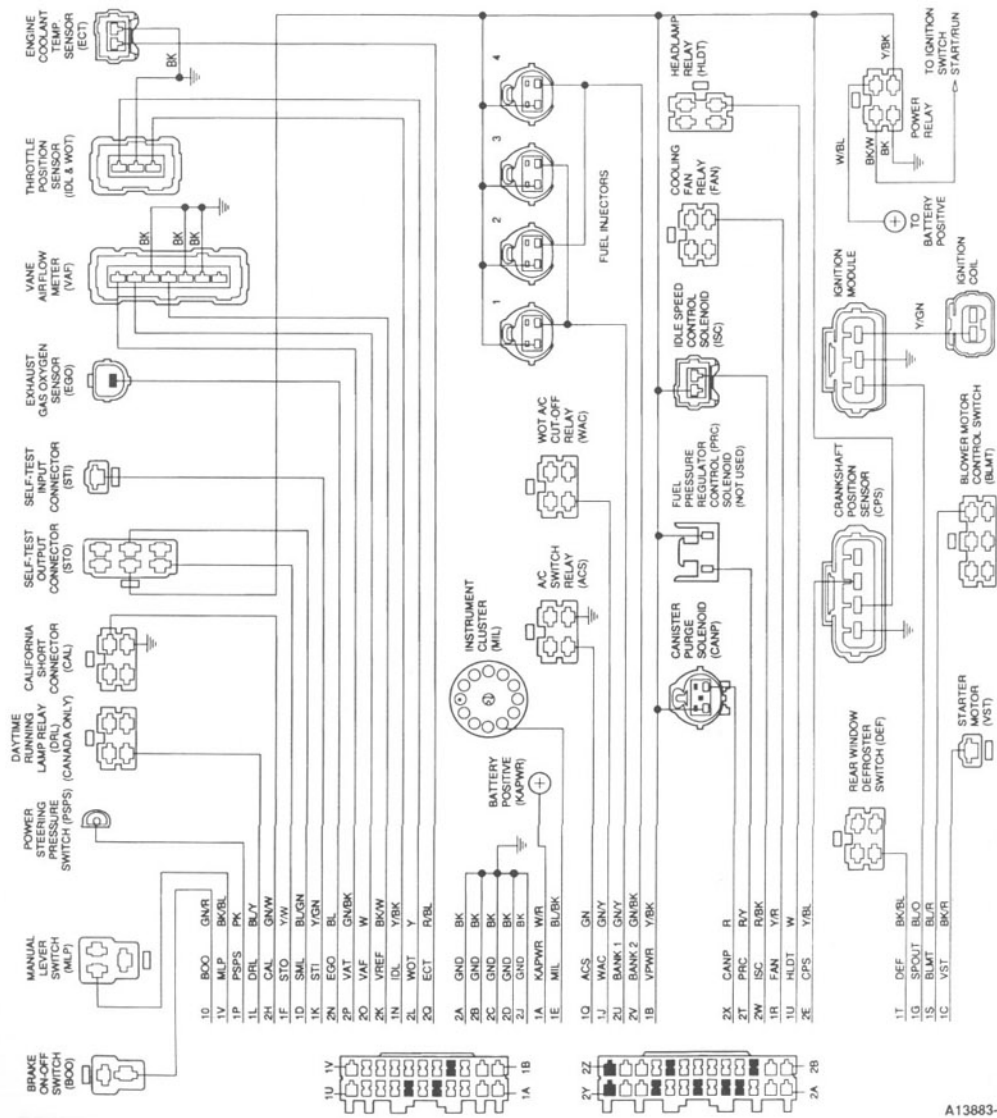


A13882-C

**1.3L VAF**  
(VIN Code H)

**1991-1993**  
**Festiva**  
**ATX**

VIN: 1 2 3 4 5 6 7 8 ... 17  
Engine code



A13883-C