

# 10-12 BODY AND TRIM

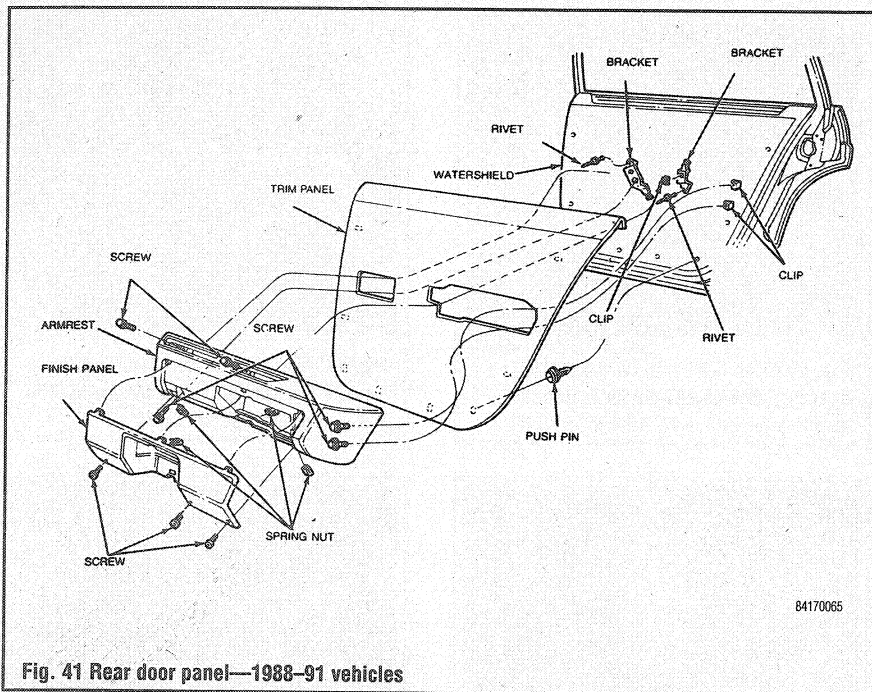


Fig. 41 Rear door panel—1988-91 vehicles

## Town Car 1992-00

See Figures 42 and 43

1. Disconnect the negative battery cable.
2. Snap out the two door pull strap retaining screw covers. Remove the screws.

### CAUTION

To avoid breakage of the door pull covers, insert a small screwdriver diagonally between the pull strap and chrome bracket. Snap out both sides then remove.

3. Remove the two screws on the front and rear side of the front door trim panel.
4. Using the trim pad removing tool, pry the trim panel retaining clips from the door inner panel.

Do not use the front door trim panel to remove the trim clips from the door inner panel. Replace any bent, damaged or missing push pins.

6. Remove the window regulator switch housing from the back of the front door trim panel. Lift up the housing and disconnect all connectors from the switch housing.
7. Disconnect the driver seat regulator control processor switch if equipped.
8. Twist out the interior lamp wire assembly.

### To install:

9. Ensure that the plastic watershield is secured to the door.
10. Position the front door trim panel to the door. Connect the interior lamp wiring.
11. Align door lock side to its mating slide on the sheet metal.

12. Snap in the front door trim panel. Ensure all retainers fit properly.

Install the two retaining screws on the front and rear side of the front door trim panel.

13. Connect the driver seat regulator control processor, if equipped.

14. Position the window regulator control switch housing and connect the switch connectors. Install it to the front door trim panel by snapping it in, or by installing the screw at the rear.

15. Install the two retaining screws and pull strap covers.

16. Connect the negative battery cable.

## Continental 1988-94

See Figures 44 thru 51

1. Remove the front door window regulator switch housing.
2. Remove all the screws retaining front door trim panel to the door. Using the trim pad removing tool, pry the front door trim panel from the door inner panel.
3. Remove the front door trim panel opening cover.

### To install:

4. Connect all the electrical connectors.
5. Installation is the reversal of the removal procedure.



Fig. 44 Using a sharp seal pick, release the screw cover from the snap

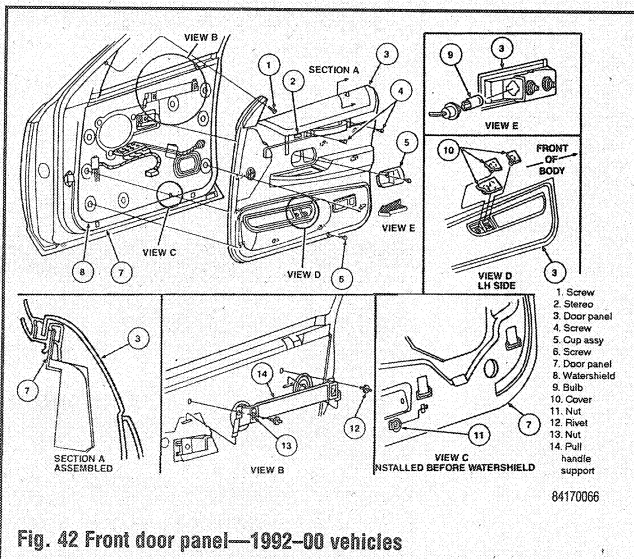


Fig. 42 Front door panel—1992-00 vehicles

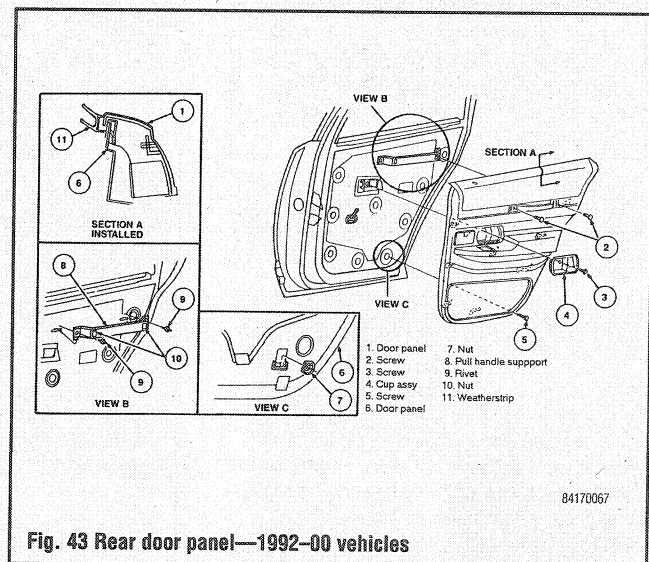


Fig. 43 Rear door panel—1992-00 vehicles