

ALIGNMENT

Hood Alignment

♦ See Figures 6 and 7

The hood can be adjusted fore-and-aft and side-to-side by loosening the hood-to-hinge retaining bolts and repositioning the hood. To raise or lower the hood, loosen the hinge-to-fender reinforcement retaining bolts and raise or lower the hinge as necessary.

Trunk Lid

ALIGNMENT

Trunk Lid Alignment

The trunk lid can be shifted fore-and-aft by loosening the hinge-to-trunk lid retaining screws.

The trunk lid should be adjusted for an even and parallel fit with the trunk lid opening. The trunk lid should also be adjusted up and down for a flush fit with the surrounding panels. Be careful not to damage the trunk lid or surrounding body panels.

Trunk Lid Latch/Striker

➔ The latch assembly is fixed and not adjustable on all vehicles. Any latch adjustment must be made at the striker.

➔ Before adjusting the striker, open and close the trunk lid to double-check the striker alignment.

1. Remove the scuff plate striker covering before attempting any striker adjustment.
2. Loosen the 2 screw and washer assemblies

and adjust the striker by moving up and down or from side-to-side as necessary.

3. Tighten the screw and washer assemblies to 7-10 ft. lbs. (9-14 Nm).

➔ Do not try to correct a poor trunk lid alignment with a latch striker adjustment.

Outside Mirrors

REMOVAL & INSTALLATION

1988-91 Town Car

♦ See Figure 8

1. Disconnect the negative battery cable.
2. Remove the interior door handle.
3. On the left door, remove the bezel from the power mirror control switch.
4. Remove the switch housing from the armrest and detach all electrical connectors.
5. Using a putty knife or similar tool, pry the trim panel retaining clips from the door inner panel and remove the panel.
6. Detach the mirror wiring connectors and remove the necessary wiring guides.
7. Remove the 2 mirror retaining screws and remove the mirror, guiding the wiring and connectors through the hole in the door.

To install:

8. Guide the wiring and connectors through the hole in the door.
9. Install the mirror on the door and secure with the retaining screws.
10. Position and install the wiring guides.
11. Attach the mirror wiring connectors.
12. Install the door trim panel.
13. Attach all electrical connectors to the switch housing and install the switch housing on the armrest.

14. On the left door, install the bezel nut to the power mirror control switch.
15. Install the interior door handle.
16. Connect the negative battery cable and check mirror operation.

1992-00 Town Car

1. Disconnect the negative battery cable.
2. Remove the door trim panel.
3. Remove the push pin from the mirror access hole cover and remove the access hole cover.
4. Detach the mirror wiring connectors and remove the necessary wiring guides.
5. Remove the 3 mirror retaining nuts and remove the mirror, guiding the wiring and connectors through the hole in the door.

To install:

6. Guide the wiring and connectors through the hole in the door.
7. Install the mirror on the door and secure with the retaining nuts.
8. Position and install the wiring guides.
9. Attach the mirror wiring connectors.
10. Install the mirror access hole cover. Install the push pin.
11. Install the door trim panel.
12. Attach all electrical connectors to the switch housing and install the switch housing on the armrest.
13. On the left door, install the bezel nut to the power mirror control switch.
14. Connect the negative battery cable and check mirror operation.

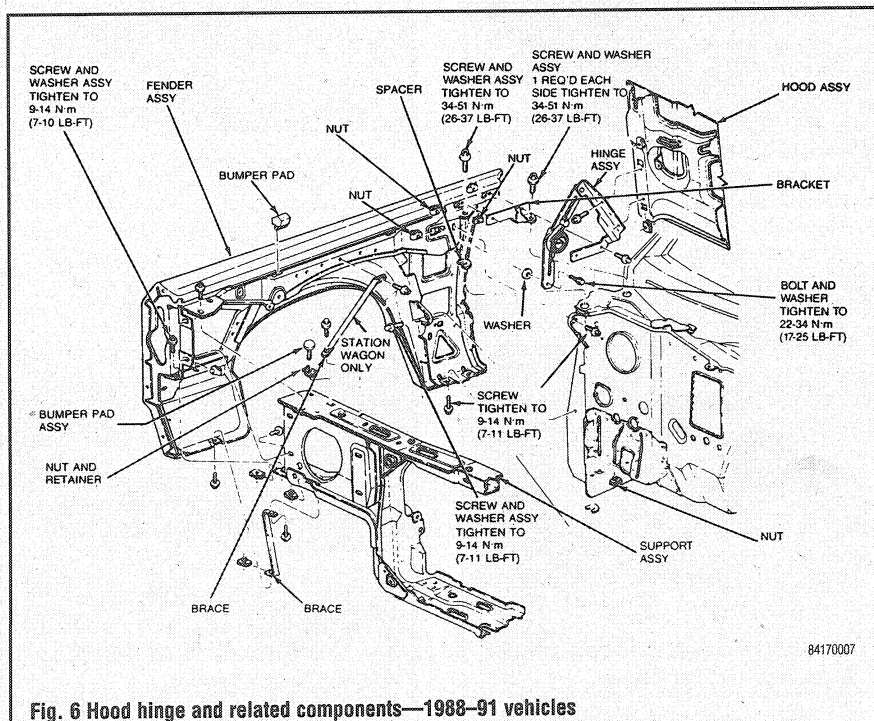


Fig. 6 Hood hinge and related components—1988-91 vehicles

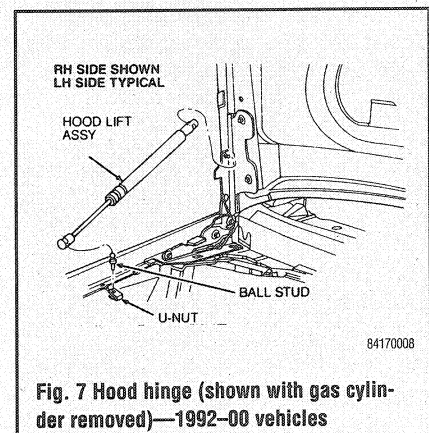


Fig. 7 Hood hinge (shown with gas cylinder removed)—1992-00 vehicles

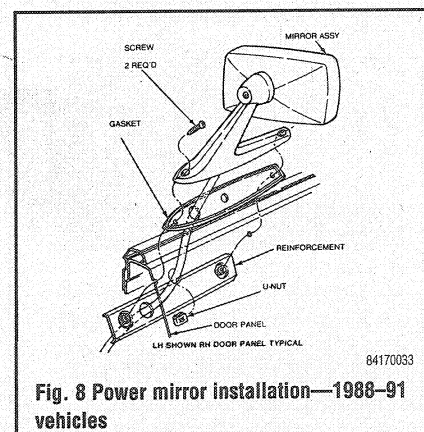


Fig. 8 Power mirror installation—1988-91 vehicles