

## 1989-94 TOWN CAR CHASSIS SCHEMATIC

1989-94

1995-97

## 1995-97 TOWN CAR CHASSIS SCHEMATIC

HOT IN RUN OR START  
FUSE 15A  
HOT AT ALL TIMES  
FUSE 16A

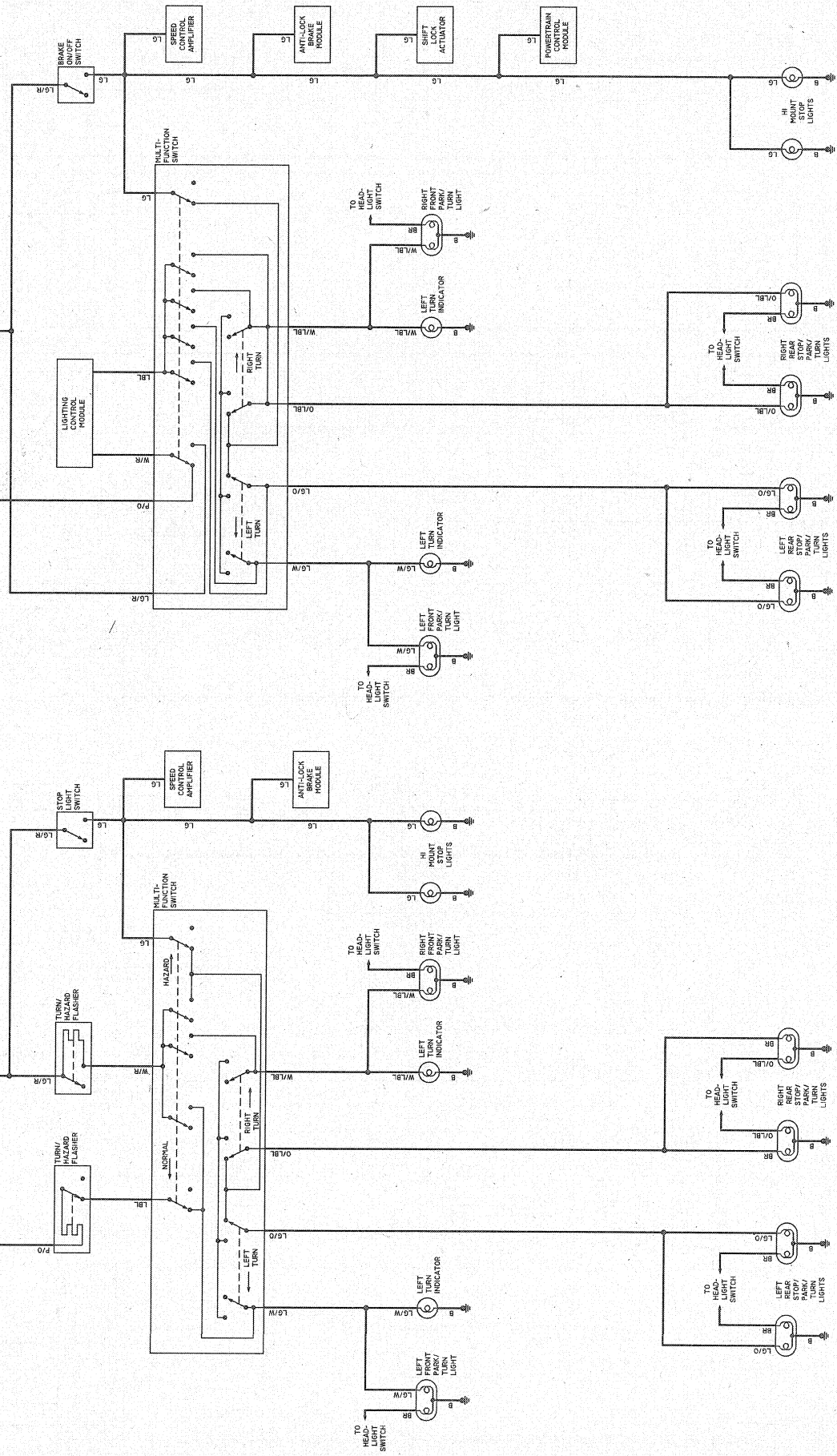


DIAGRAM 45

DIAGRAM 46

93146B25

93146B26