

1989-94 CONTINENTAL CHASSIS SCHEMATICS  
1993-94

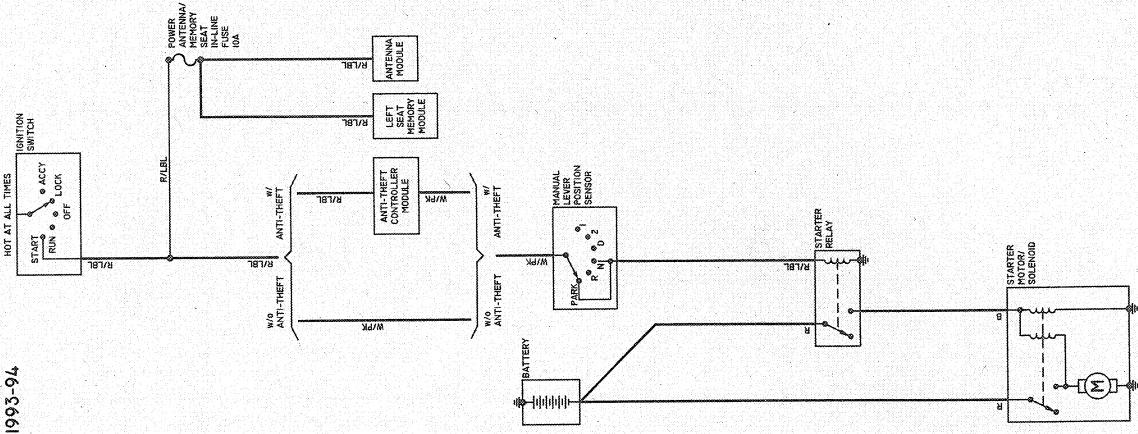


DIAGRAM 16

1989-92

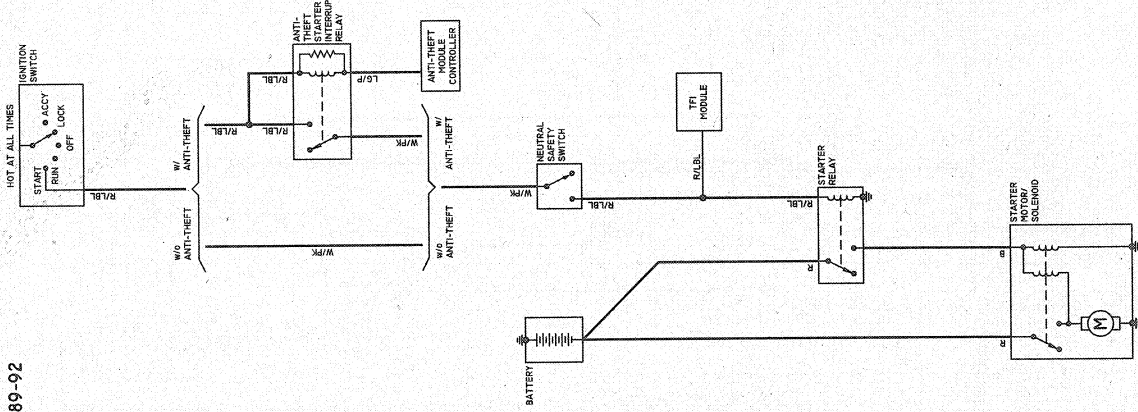


DIAGRAM 15

1998-00 TOWN CAR 4.6L ENGINE SCHEMATIC

