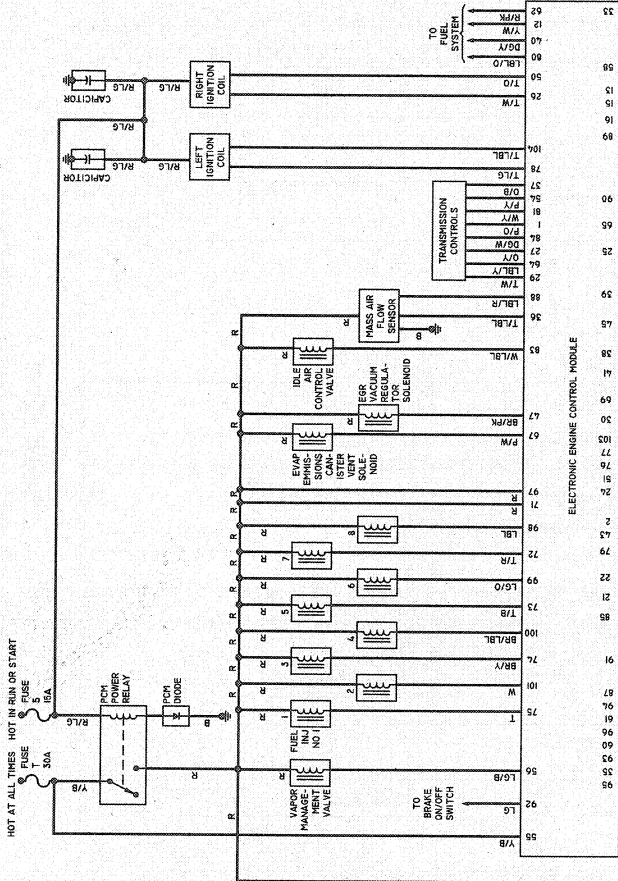


1996-97 TOWN CAR 4.6L ENGINE SCHEMATIC



1995 TOWN CAR 4.6L ENGINE SCHEMATIC

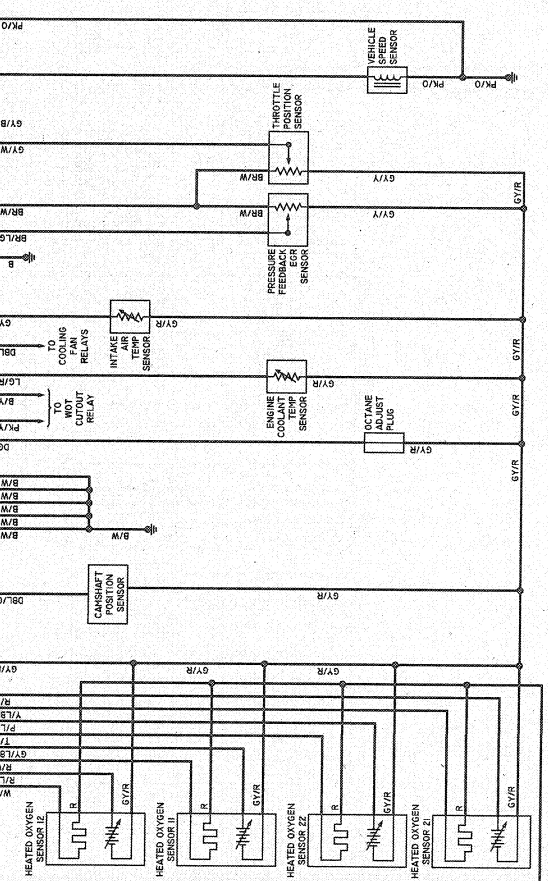
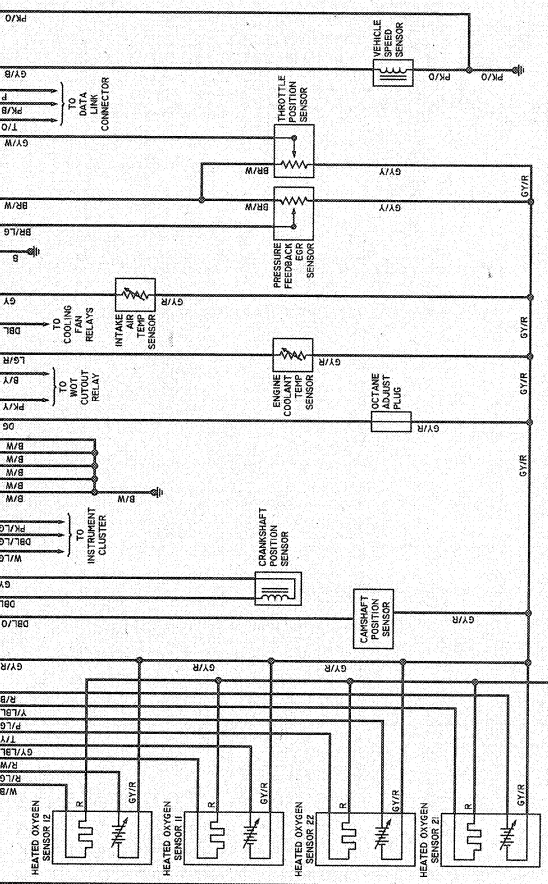
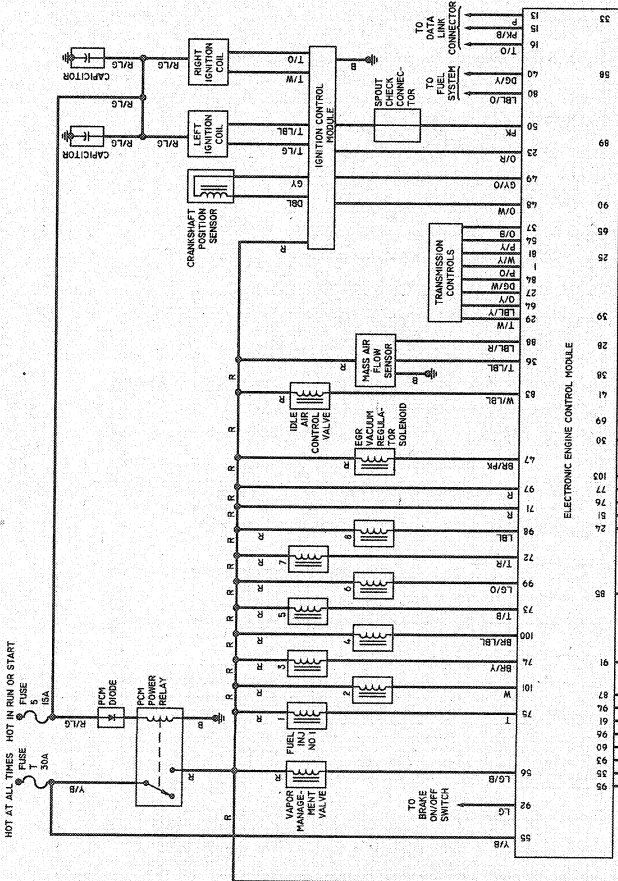


DIAGRAM 14

DIAGRAM 13

83146E00

93146E07