

# 6-44 CHASSIS ELECTRICAL

1995-97 CONTINENTAL 4.6L ENGINE SCHEMATIC

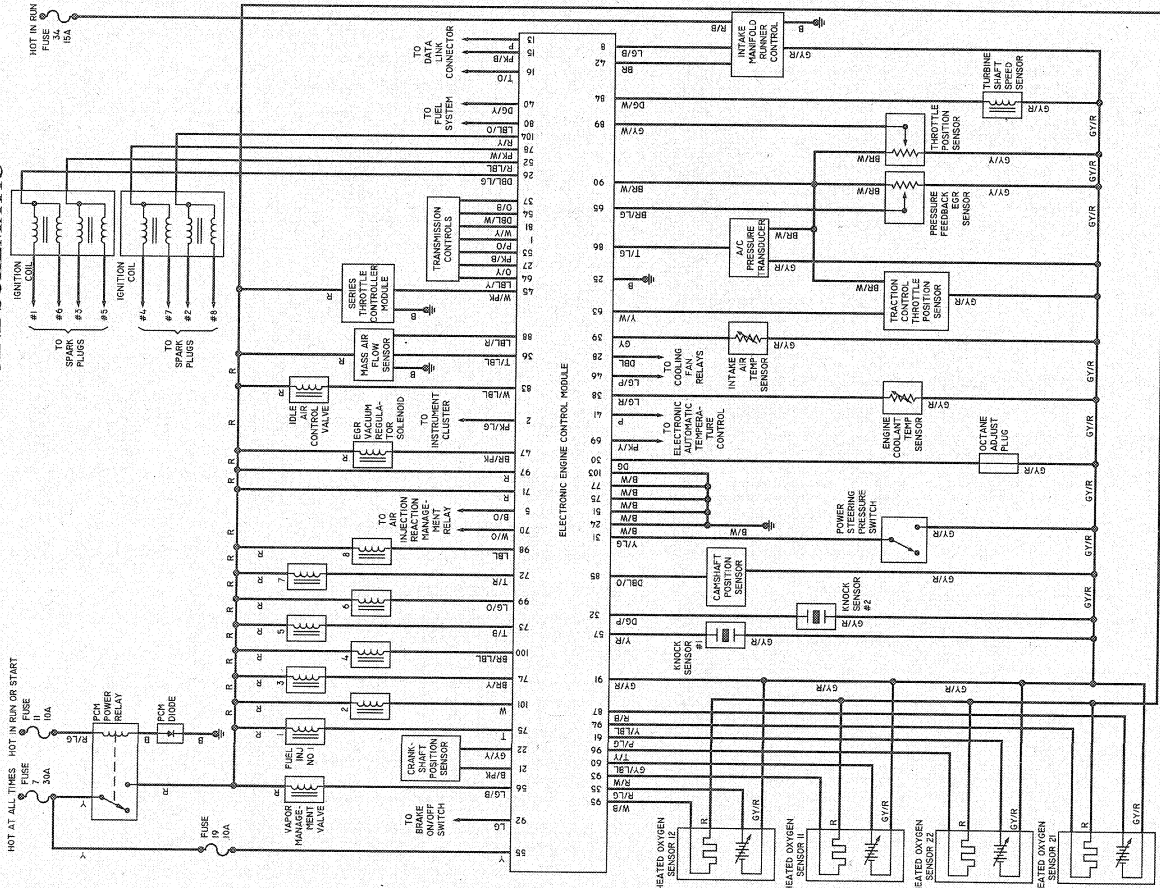


DIAGRAM 5

93146E03

1998-00 CONTINENTAL 4.6L ENGINE SCHEMATIC

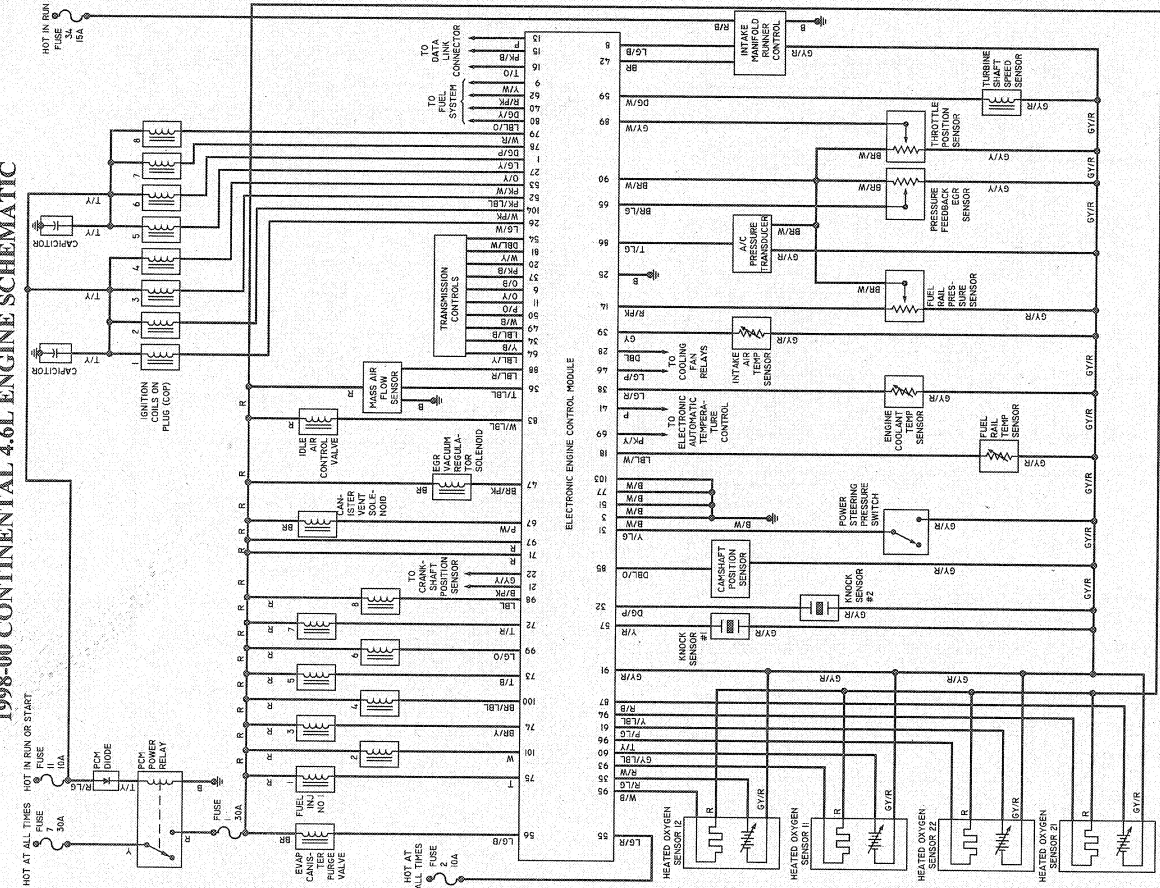


DIAGRAM 6

93146E04