

1993-94 CONTINENTAL 3.8L ENGINE SCHEMATIC

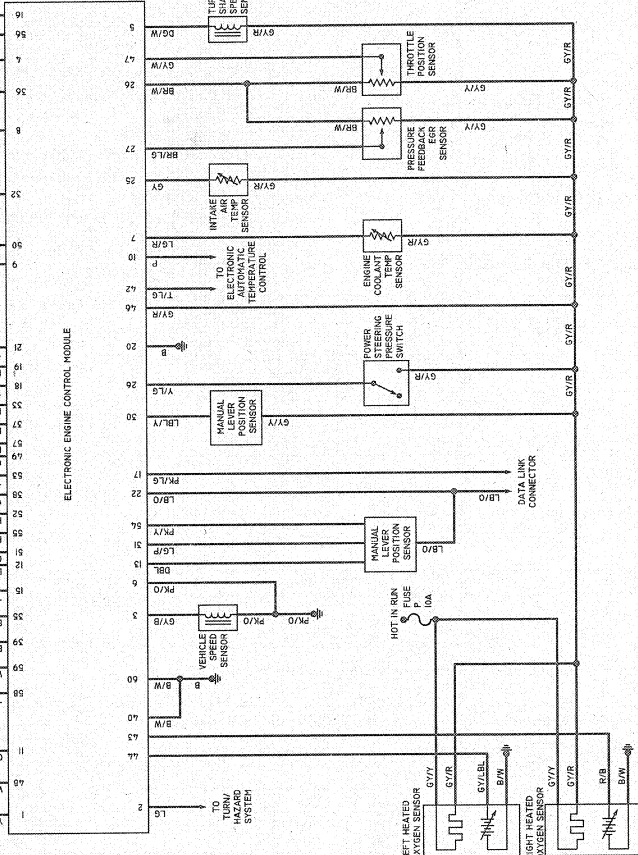
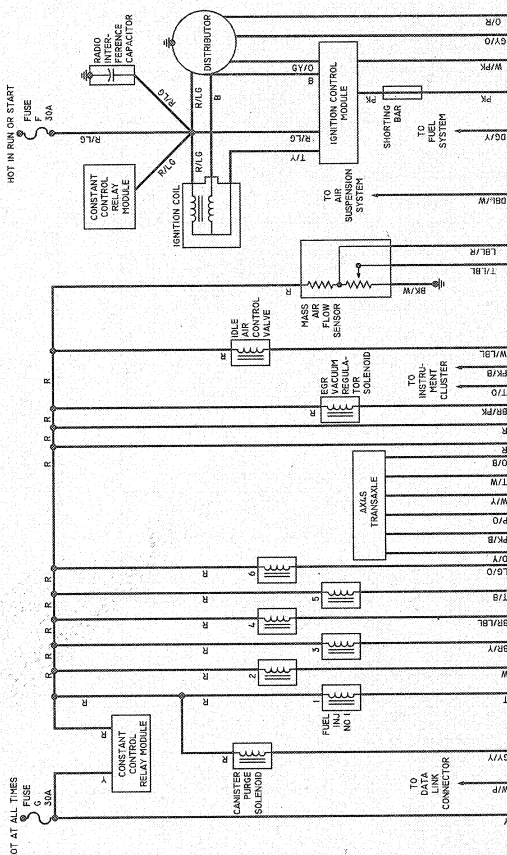


DIAGRAM 4

1989-92 CONTINENTAL 3.8L ENGINE SCHEMATIC

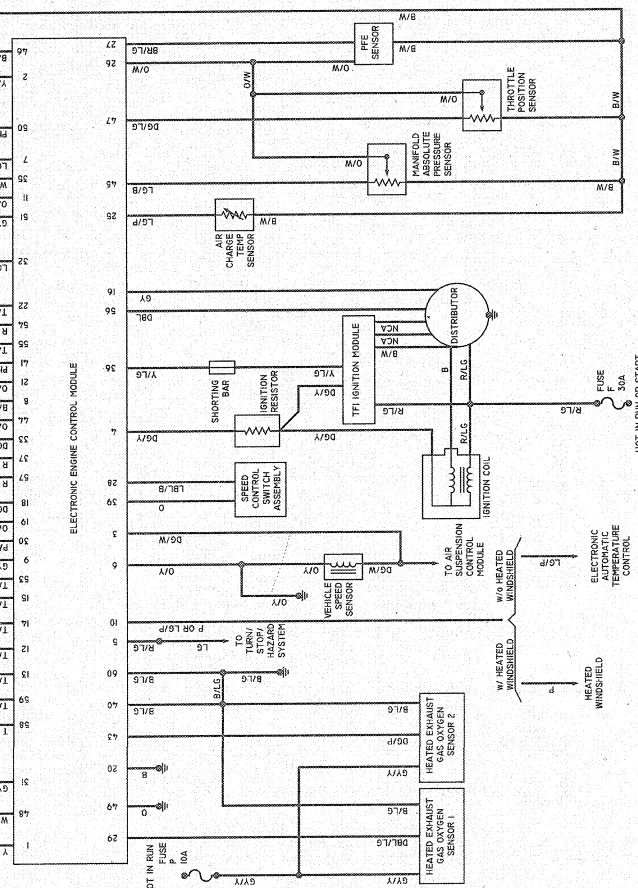
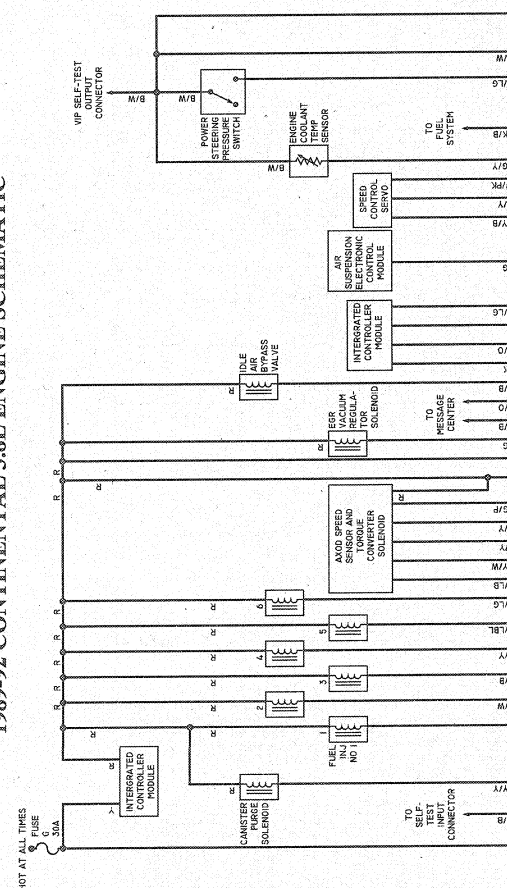


DIAGRAM 3