

6-18 CHASSIS ELECTRICAL

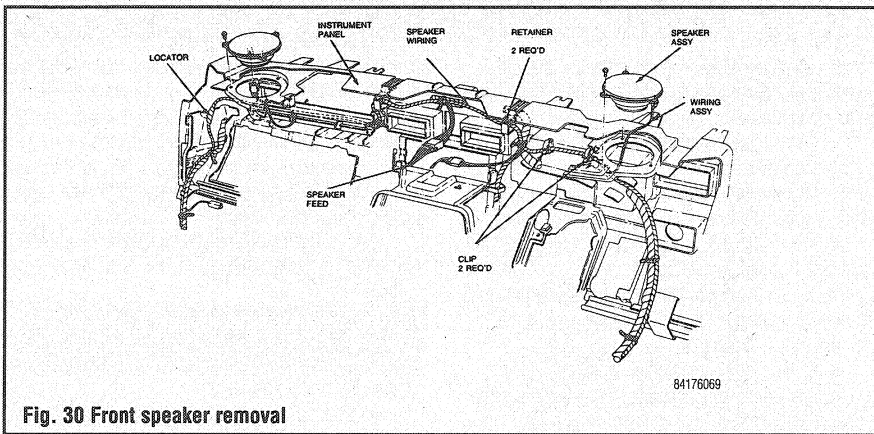


Fig. 30 Front speaker removal

the instrument panel pad rearward and remove it from the vehicle.

3. Remove the 3 retaining screws for each of the front speakers.
4. Raise the speakers and disconnect the leads at the connectors.
5. Installation is the reverse of the removal procedure.

Door Mounted—Town Car

1988–94

▶ See Figure 31

1. Disconnect the negative battery cable.
2. Remove the door panel as explained in Section 10.
3. Remove the retaining screws and pull the speaker from the opening.
4. Disconnect the speaker lead at the connector and remove the speaker.

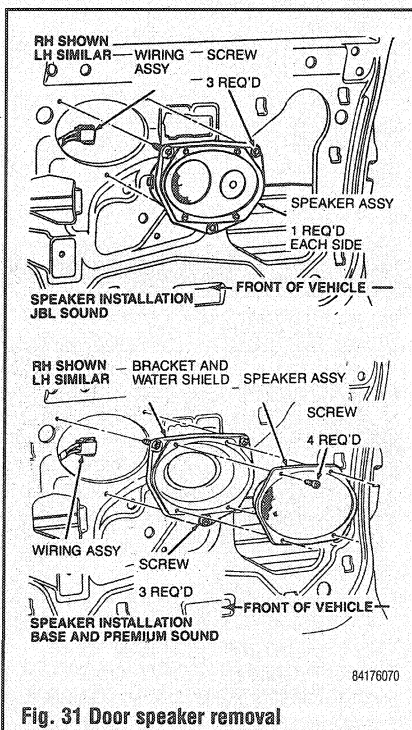


Fig. 31 Door speaker removal

5. Installation is the reverse of the removal procedure.

Rear—Town Car

1988–94

▶ See Figure 32

1. Disconnect the negative battery cable.
2. Remove the spare tire and jack assembly from the luggage compartment, if necessary.
3. Working inside the luggage compartment, disconnect the speaker lead from the wire harness.

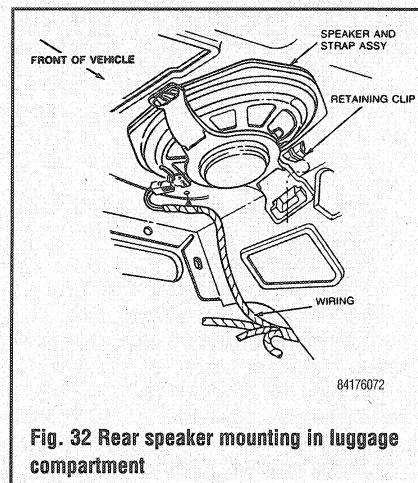


Fig. 32 Rear speaker mounting in luggage compartment

4. Disengage the strap from the retaining clips and remove the speaker.
5. Installation is the reverse of the removal procedure.

1995–00

▶ See Figure 33

1. Disconnect the negative battery cable.
2. Remove the package tray trim.
3. Remove the 4 speaker retaining screws.
4. Disconnect the connector and lift out the speaker.
5. If equipped with standard speakers, remove the NVH cover if necessary.
6. Installation is the reverse of the removal procedure.

Subwoofer

1. Disconnect the negative battery cable.
2. Remove the spare tire.
3. Remove the 4 nut and washer assemblies from the bottom of the subwoofer. Remove the subwoofer by lowering straight down.
4. Disconnect the power connector and amplifier input connector located on the forward face of the subwoofer enclosure.
5. The subwoofer and amplifier assembly is now free of the vehicle.
6. To remove the subwoofer amplifier from the enclosure, disconnect the power and input connectors.
7. Remove the 4 retaining screws from the amplifier and remove the amplifier from the subwoofer enclosure.
8. Installation is the reverse of the removal procedure.

Front Door Mounted Continental

1988–94

▶ See Figure 34

1. Disconnect the negative battery cable.
2. Remove the front door trim panel.
3. Remove the screws retaining the speaker to its mounting bracket.
4. Pull the speaker away from the mounting bracket far enough to disconnect the speaker electrical wires.
5. Remove the speaker from the vehicle.

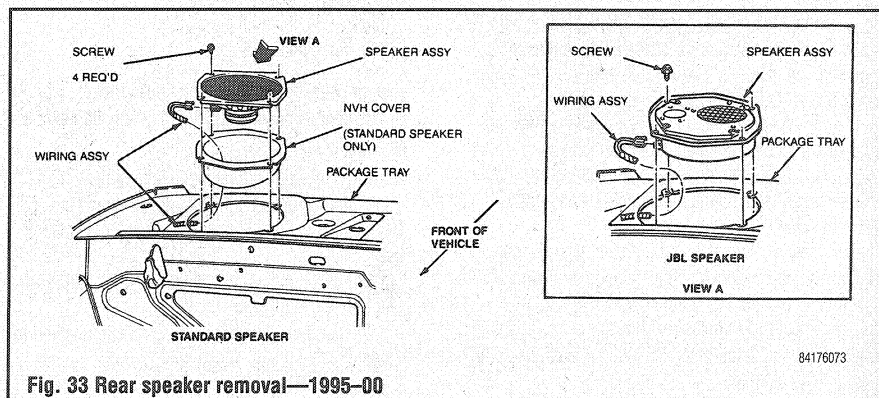


Fig. 33 Rear speaker removal—1995–00