

# 4-46 DRIVEABILITY AND EMISSIONS CONTROLS

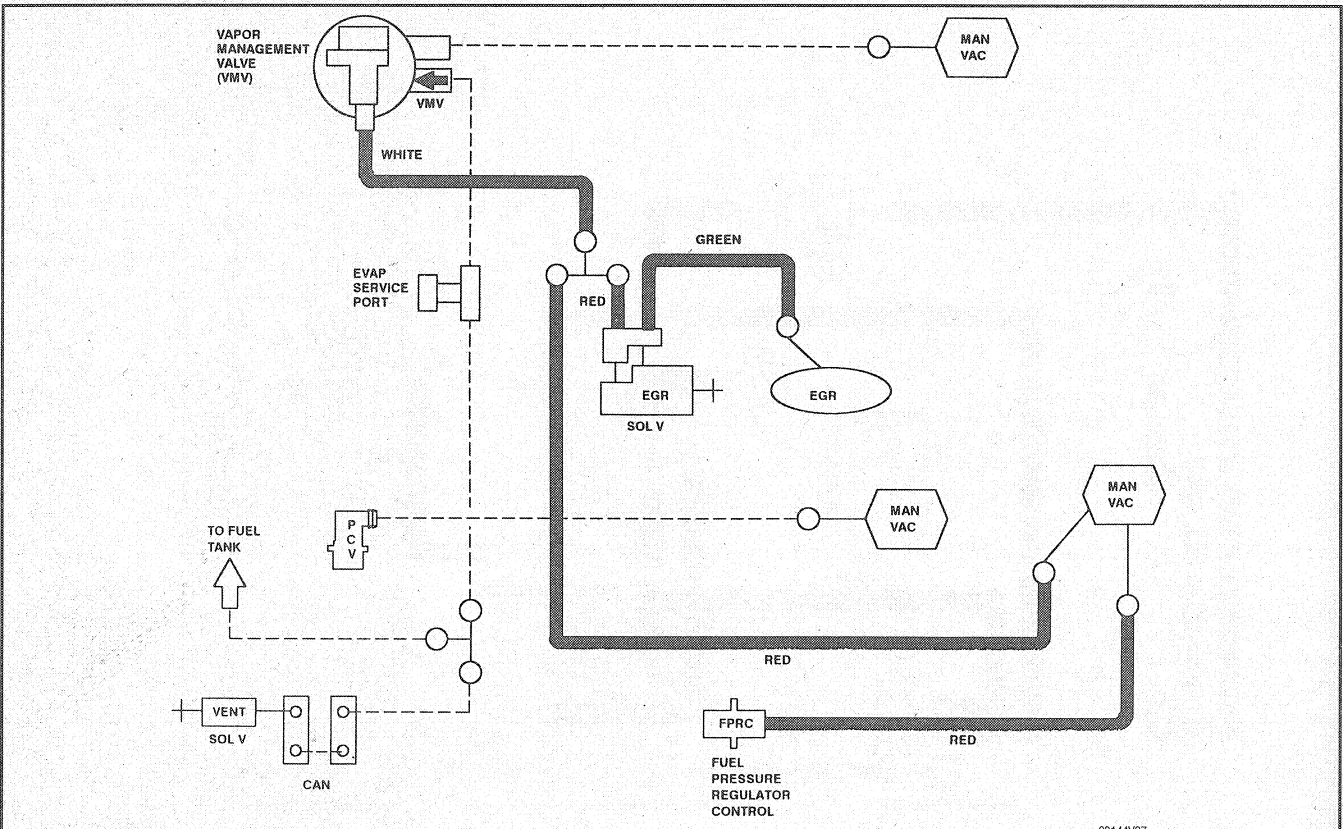


Fig. 121 1998-00 Town Car typical vacuum diagram—4.6L engine

93144V27

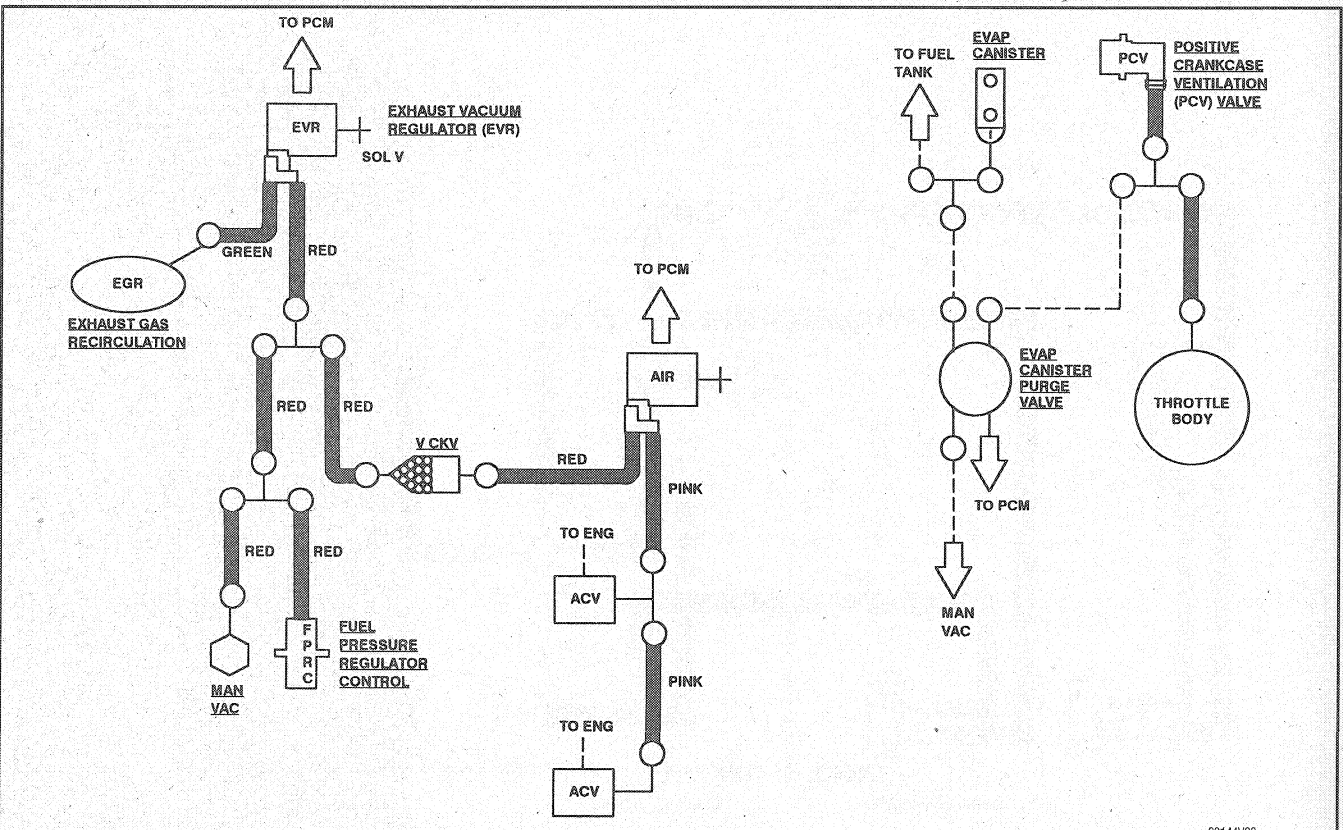


Fig. 122 1998-00 Continental typical vacuum diagram—4.6L engine

93144V28